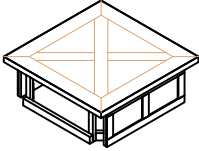
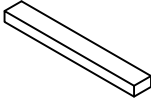
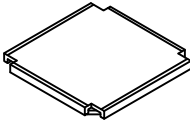
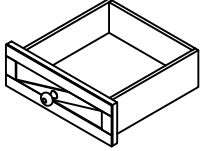

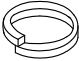
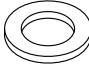

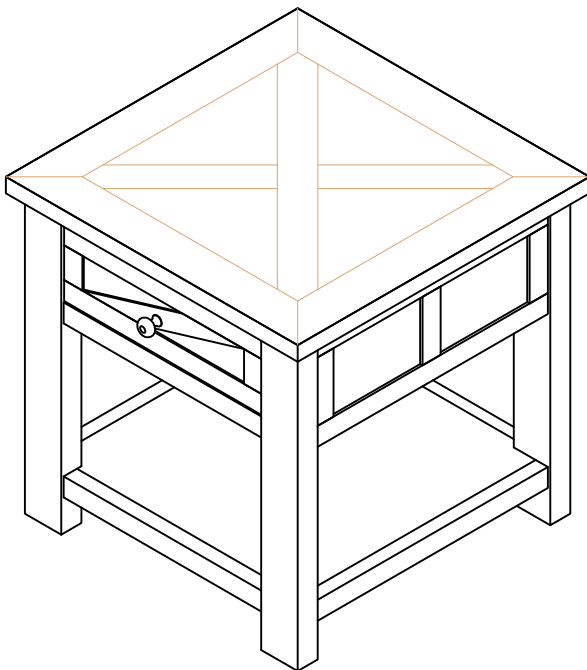


# ASSEMBLY INSTRUCTION

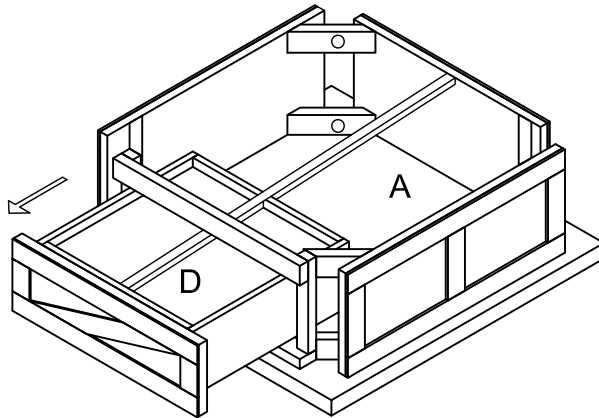
## 811-04 END TABLE

<b>A</b> Top	<b>B</b> Leg	<b>C</b> Bottom Panel	<b>D</b> Drawer
			
1PC	4PCS	1PC	1PC
<b>E</b> Bolt 5/16*3"	<b>F</b> Lock Washer 5/16"	<b>G</b> Flat Washer 5/16"X19mm	<b>H</b> L-Allen Key 5mm
			
12PCS	12PCS	12PCS	1PC

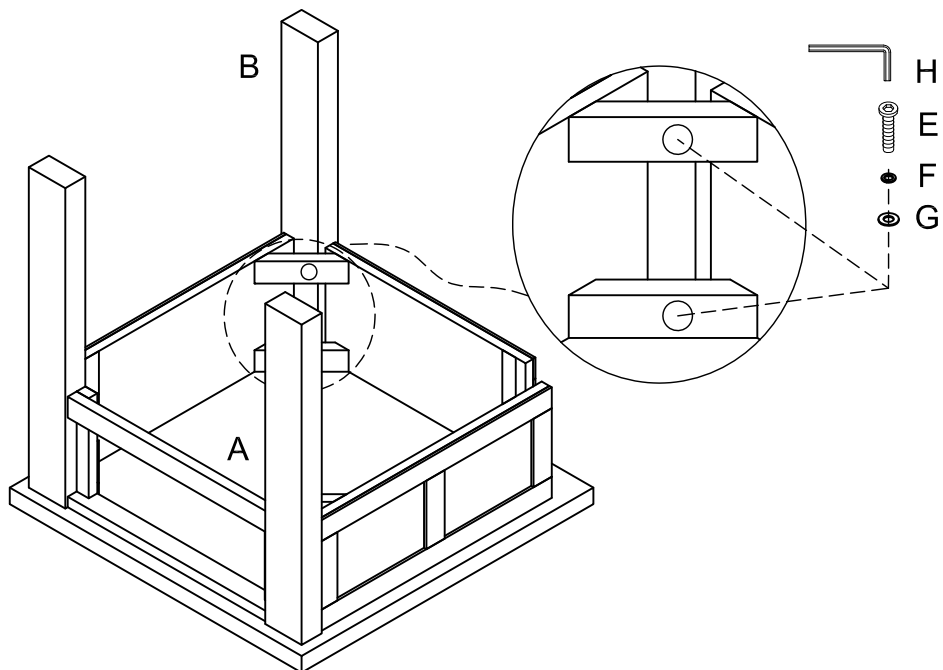


This page lists all the contents included in the box. Please take the time to identify the hardware as well as the individual components to this product. As you unpack and prepare for assembly, place the contents on a carpeted or padded area to protect them from damage.

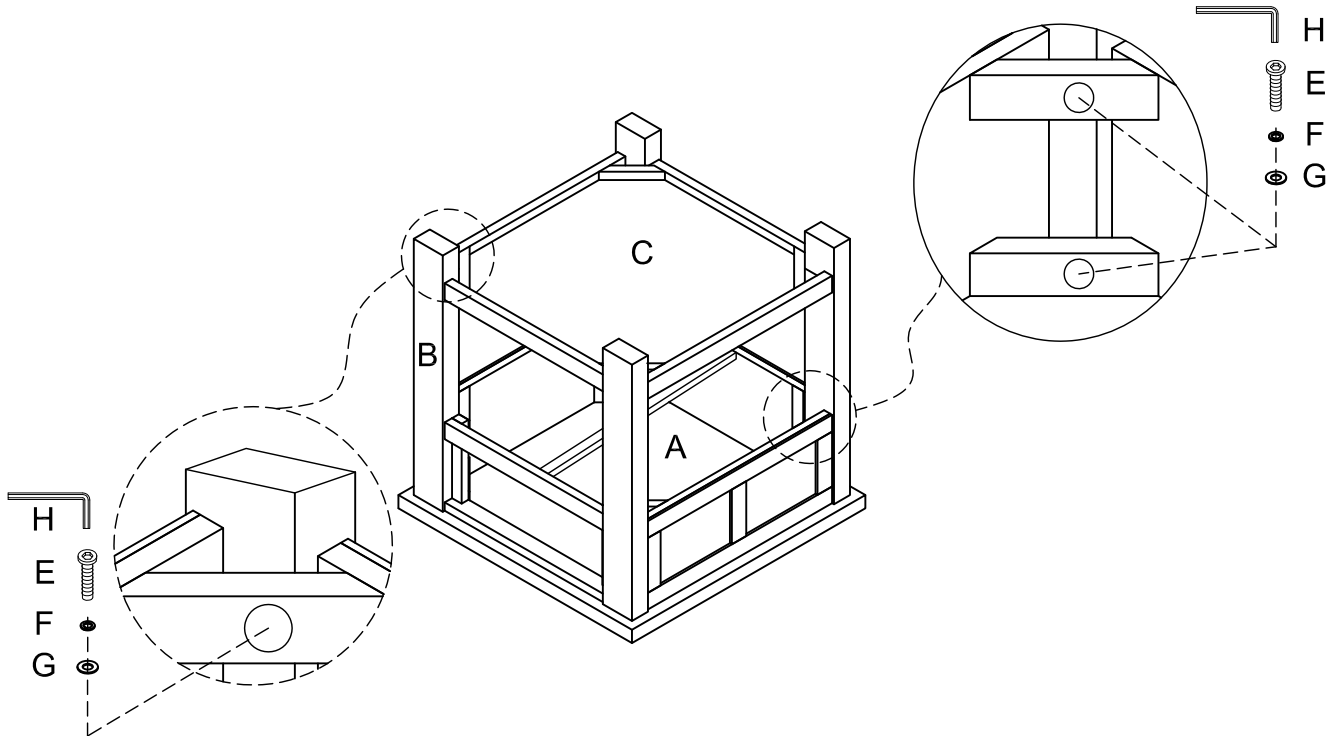
**1** Pull out the drawer as below showing.



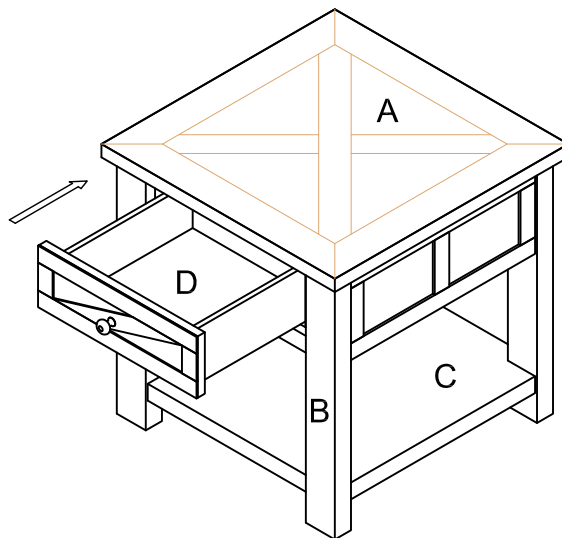
**2** Attach 3pcs Leg (B) to the Top (A) by using Flat Washer (G), Lock Washer (F) and Bolt (E) with L-Allen Key (H).



**3** Attach Bottom Panel (C) to the Leg (B) by using Flat Washer (G), Lock Washer (F), Bolt (E) with L-Allen Key (H), and then attach another Leg (B) to the Top Panel (A) and Bottom Panel (C) as below showing.



**4** Push back drawer as below showing.



#### Cleaning & Care

Treat surface with care. Surface is resistant to scratches but is not scratch resistant. Clean surfaces with a dry or damp soft cloth. Do not use abrasive cleaners. Hardware may loosen over time. Periodically check that all connections are tight.