

HEKMAN

A HOWARD MILLER COMPANY

ASSEMBLY INSTRUCTIONS

27972-Wellington Hall Lift Desk

HARDWARE LIST				
NO.	DESCRIPTION	SKETCH	DIMENSION	QTY
1		ALLEN WRENCH	5MM	1pc
2		SPRING WASHER	Ø5/16"	2pcs
3		FLAT WASHER	Ø5/16" (19mm)	2pcs
4		BOLT	Ø5/16" x 57mm	2pcs
5		CURVED WASHER		2pcs
6		SCREW	#3 x 15mmL	3pcs
7		BOLT	M6 x 44mm	12pcs
8		SPRING WASHER	Ø1/4"	20pcs
9		FLAT WASHER	Ø1/4" (19mm)	20pcs
10		ALLEN WRENCH	4MM	1pc
11		BOLT	M6 x 40mm	8pcs
12		SPRING		1pc
13		Cable strap		1pc

Step 1:

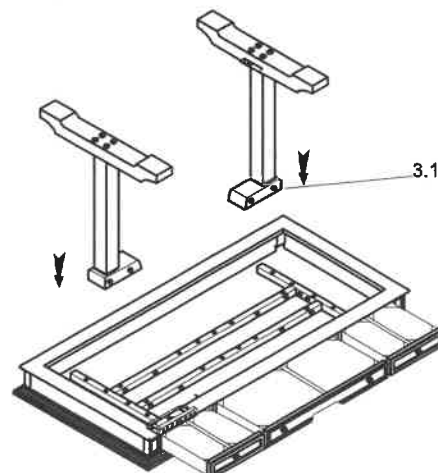
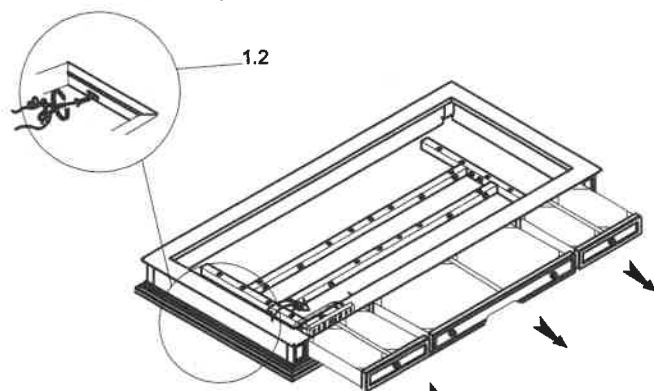
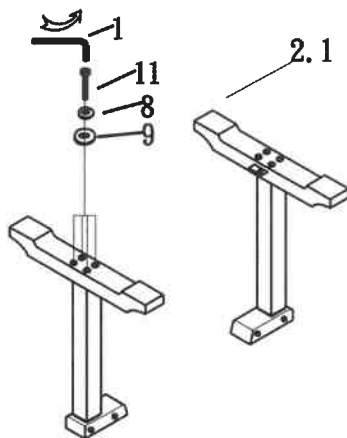
1.1: Place the Top up side down on soft and clean surface, pull out all drawers

1.2: Remove the up and down controller from inside the case by removing one screw (screw driver not provided)

1.3: Assemble the Up and Down Controller to the Top with Screw #6

Step 2:

2.1: Assemble 2 feet to 2 legs by using Bolts #11, Spring washers #8, Flat washers #9 and tighten by Allen Wrench #1. The assembly holes must be on the same side of the legs as the cord at the Top of the Leg



Step 3:

3.1: Place the legs in the metal frame in the table top. Make sure the legs have the cords and the stretcher assembly holes facing the center of the Desk. Do not bolt the legs in place until the stretcher is attached

MADE IN VIETNAM

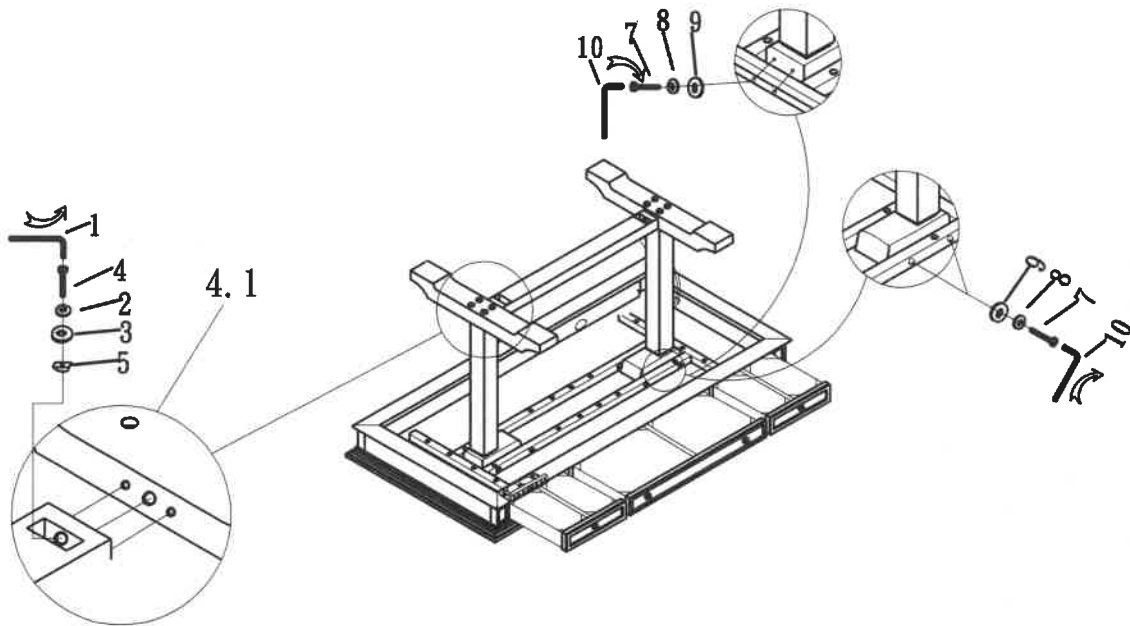
HEKMAN

ASSEMBLY INSTRUCTIONS

27972-Wellington Hall Lift Desk

Step 4:

4.1: Assemble the stretcher to the legs and feet with Bolts #4, Lock washers #2, Flat washers #3 and curved washers #5. Tighten with Allen Wrench #1



Step 5:

5.1: Attach the Legs to the metal frame using Bolts #7, Lock washers #8, Flat washers #9 and curved washers #10. Tighten with Allen Wrench #1

MADE IN VIETNAM

HEKMAN

ASSEMBLY INSTRUCTIONS

27972-Wellington Hall Lift Desk

Step 6:

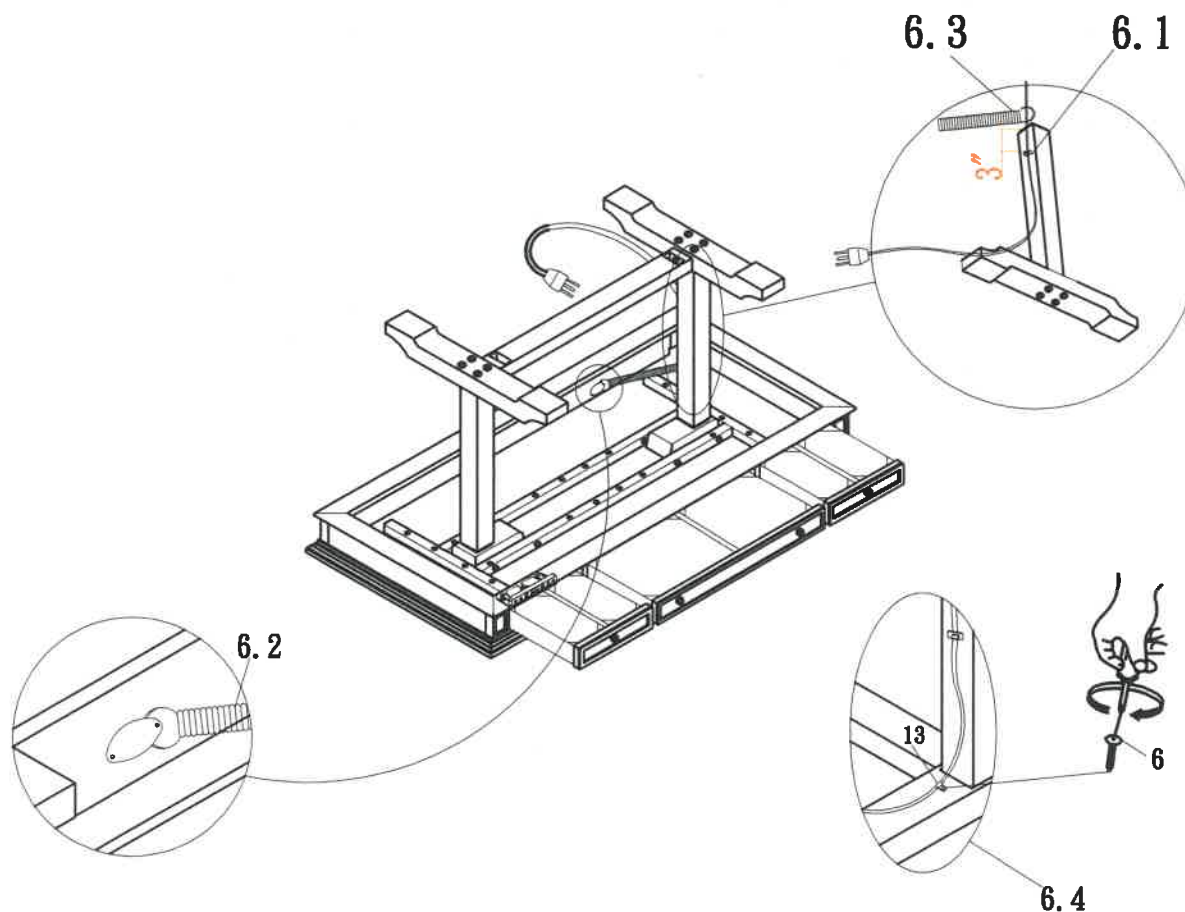
- Run the power cord From the power unit on the bottom back side of the desk between the rail and the top panel closest to the leg the power cord will be attached to. The power cord can be attached to either leg.

6.1 Attach the cable harness to the back of the leg 3" from the top of the bottom section of leg.

6.2 Attach spring end with out plastic cover to metal bracket on the inside center of the back apron.

6.3 Attach the end of the spring with the black plastic cover to the power cord.

6.4 Place one cable strap #13 around the cord and attach it to the Foot close to the back of the leg below the cable harness.



MADE IN VIETNAM

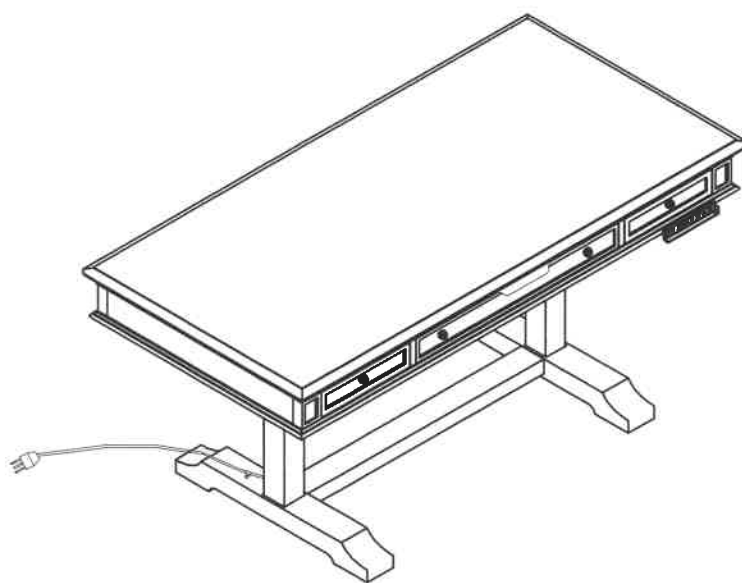
HEKMAN

ASSEMBLY INSTRUCTIONS

27972-Wellington Hall Lift Desk

Step 7:

- Slowly turn the Desk upright



MADE IN VIETNAM