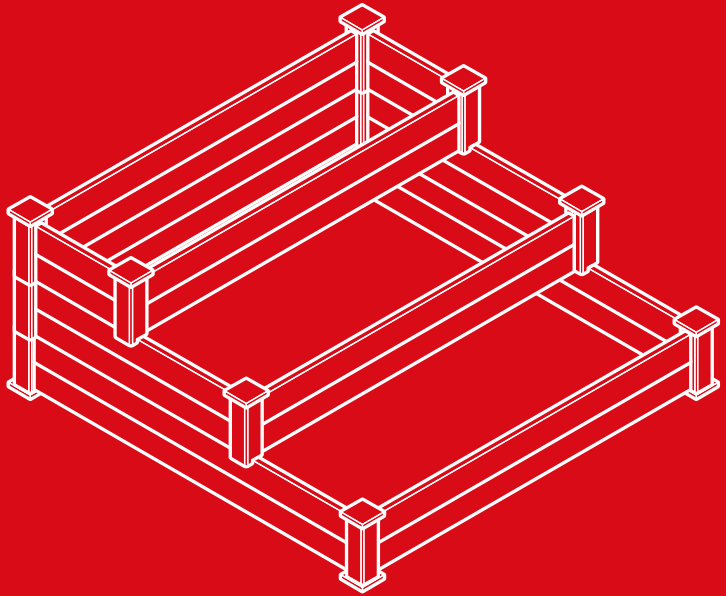




bestchoiceproducts



INSTRUCTION MANUAL

3-Tier 4x4ft Raised
Garden Bed

! NOTICE

Please retain these instructions for future reference.

- Do not stand on or use any part of this item as a step ladder.
- Firmly secure all bolts, screws, and knobs before use.
- Reconfirm that all bolts, screws, and knobs are secure every 90 days.
- Fasten screws loosely during initial assembly. Do not firmly tighten the screws until the item is completely assembled.
- Do not use or store this item in the proximity of open flame or flammable/combustible chemicals.
- Be aware that some parts are heavy and have sharp edges.
- If any parts are missing, broken, damaged, or worn, stop using this product until repairs are made and/or factory replacement parts are installed.
- Do not use this item in a way inconsistent with the manufacturer's instructions as this could void the product warranty.
- This item is made of wood and may expand due to moisture.

TOOLS REQUIRED



PHILLIPS
SCREWDRIVER

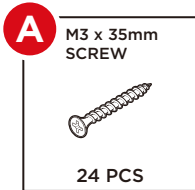


1 PERSON
ASSEMBLY

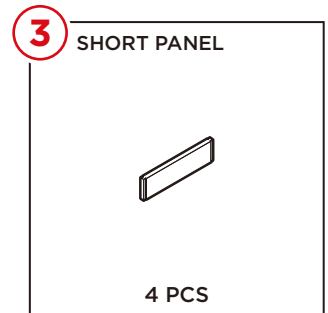
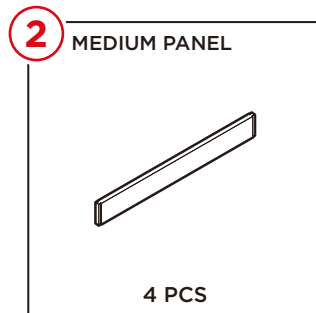
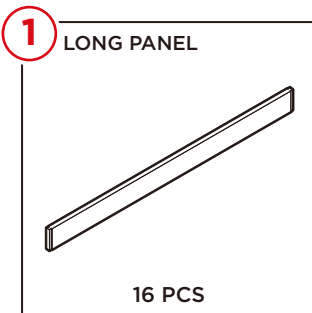


UP TO 40 MIN.
ASSEMBLY

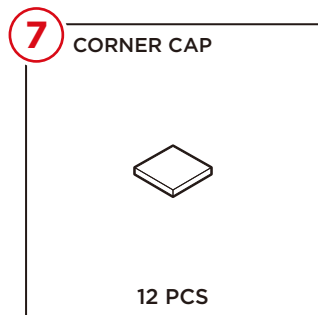
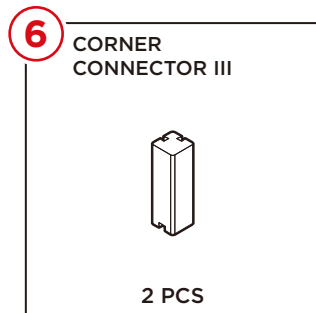
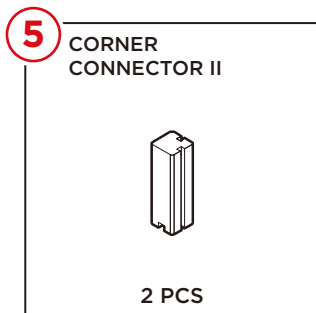
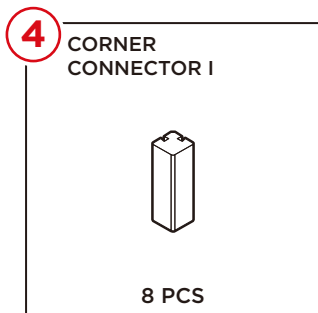
HARDWARE



PARTS



PARTS

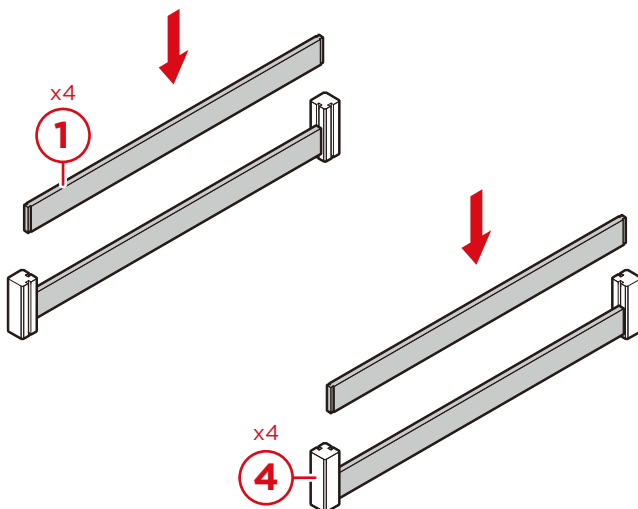


NOTE: Complete assembly on a flat level surface.

PRODUCT ASSEMBLY - BOTTOM TIER

1

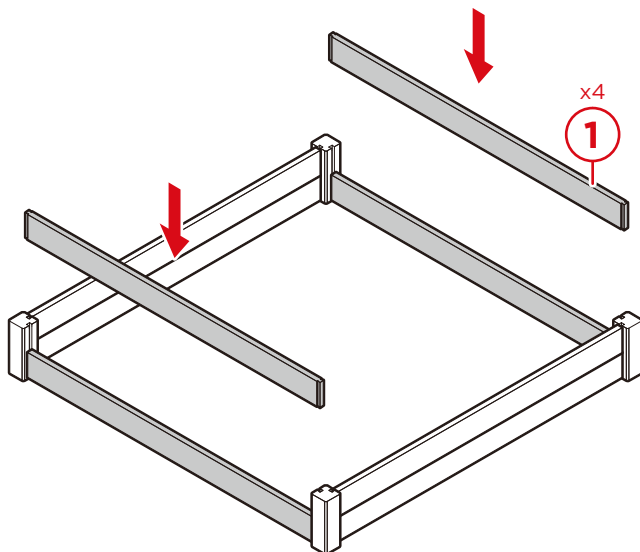
Slide two part 1 long panels into two part 4 corner connectors, then repeat to assemble a second side.



PRODUCT ASSEMBLY - BOTTOM TIER

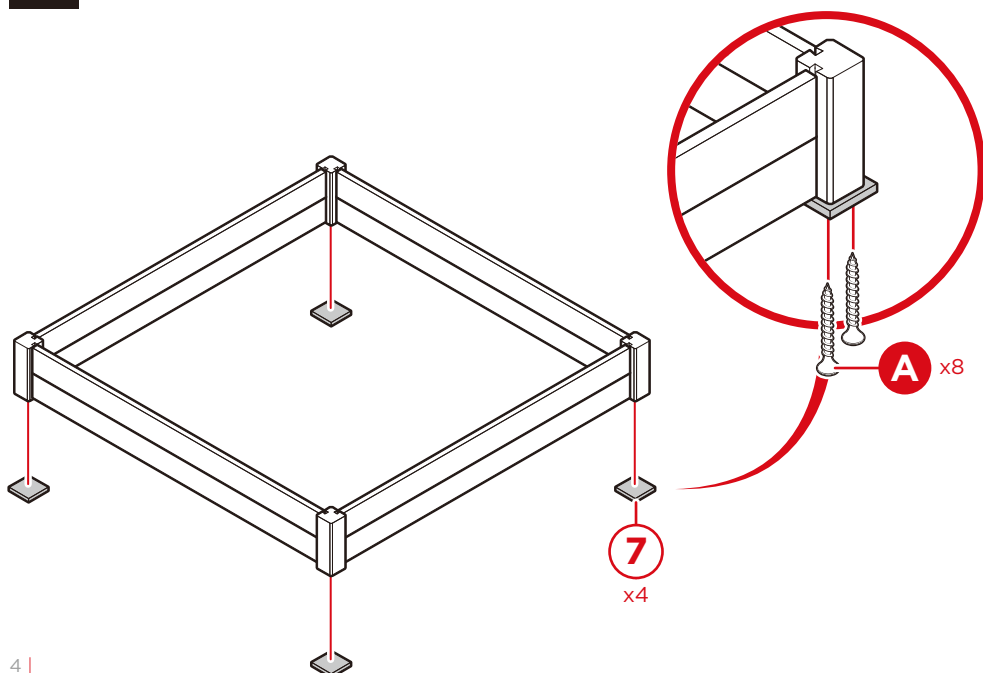
2

Connect the two side assemblies by inserting four part 1 long panels between the empty grooves on the part D corner connectors, two panels per side.



3

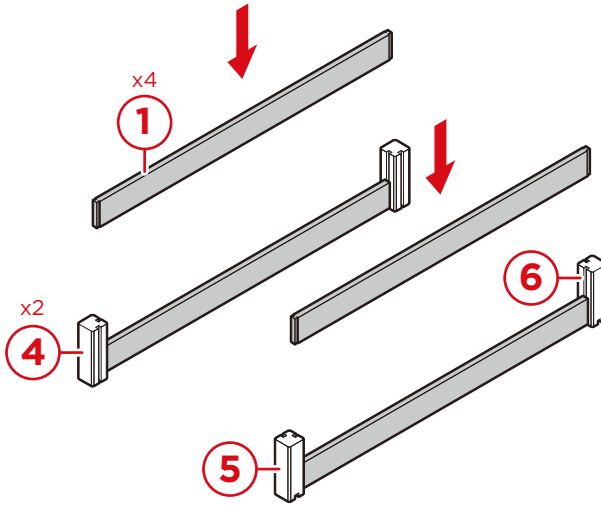
Attach four part 7 corners caps to the bottom of the part 4 corner connectors with eight part 1 screws, two screws per cap.



PRODUCT ASSEMBLY - MIDDLE TIER

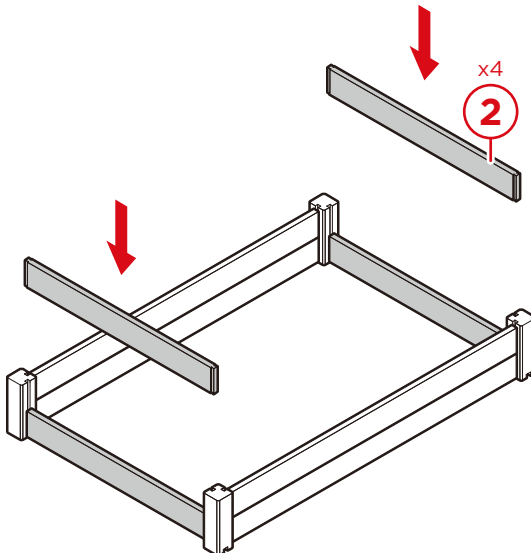
1

Assemble two sides by inserting two part 1 long panels between two part 4 corner connectors. Assemble a second side by inserting two part 1 long panels between a part 5 and 6 corner connectors.



2

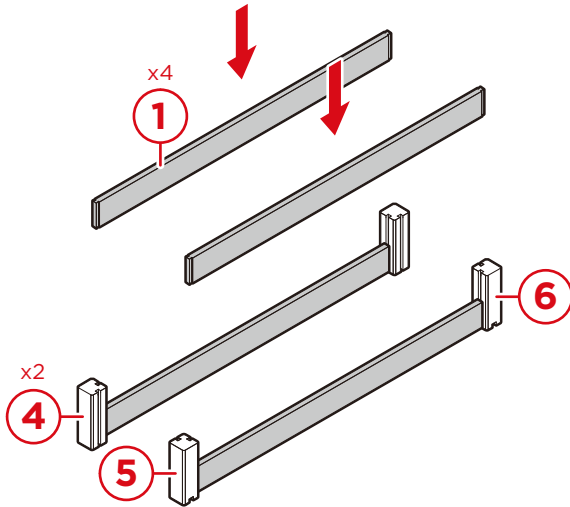
Connect the two side assemblies by inserting four part 2 medium panels between the empty grooves on the part 4, 5, and 6 corner connectors, two panels per side.



PRODUCT ASSEMBLY - TOP TIER

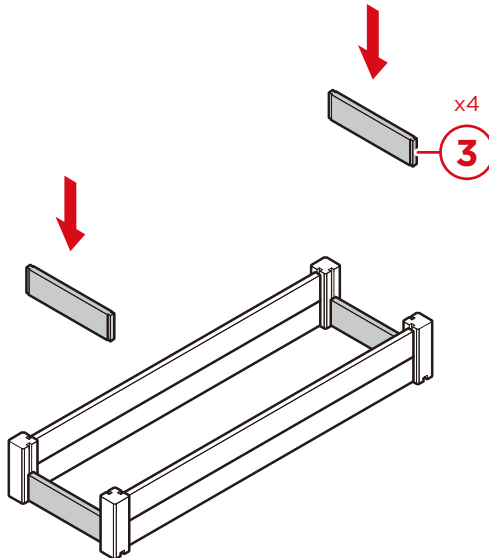
1

Assemble two sides by inserting two part 1 long panels between two part 4 corner connectors. Assemble a second side by inserting two part A long panels between a part 5 and 6 corner connectors.



2

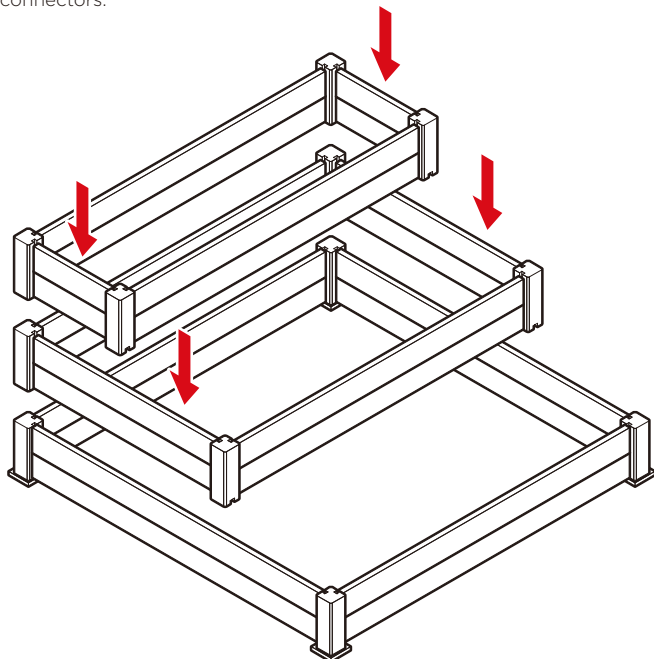
Connect the two side assemblies by inserting four part 3 short panels between the empty grooves on the part 4, 5, and 6 corner connectors, two panels per side.



FINAL ASSEMBLY

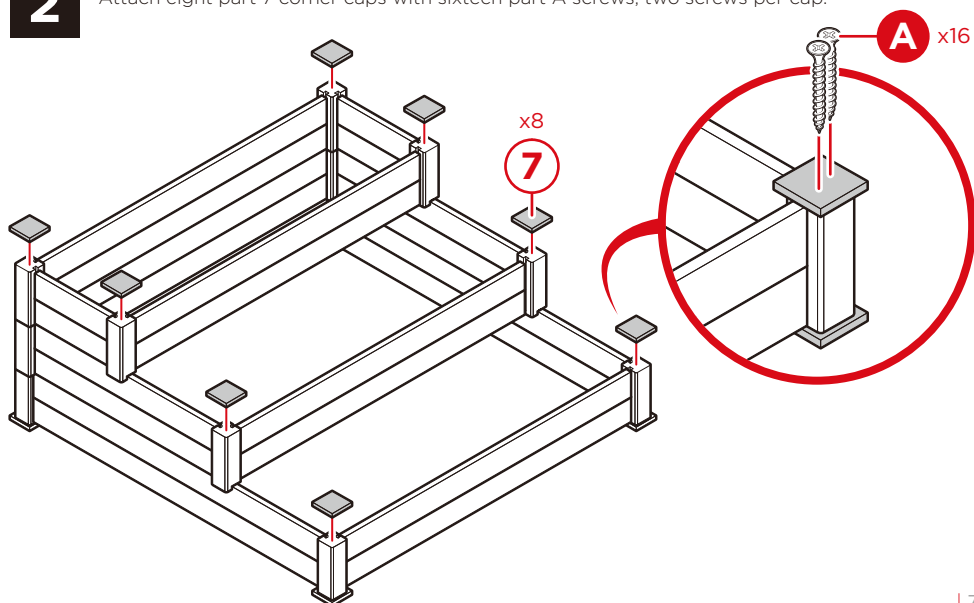
1

Stack the assembled tiers as shown below and overlap the three sets of part D corner connectors. Make sure the part A & B are fed into the grooves at the bottom of the part E corner connectors.



2

Attach eight part 7 corner caps with sixteen part A screws, two screws per cap.





HELP CENTER



Question about your product? We're here to help. Visit us at:

help.bestchoiceproducts.com



Chat Support



Product Inquiry



Orders FAQ



Product Assembly



Returns & Refunds

PRODUCT WARRANTY INFORMATION

All items can be returned for any reason within 60 days of the receipt and will receive a full refund as long as the item is returned in its original product packaging and all accessories from its original shipment are included. All returned items will receive a full refund back to the original payment method. All returned items will not be charged a re-stocking fee.

All returned items require an RA (Return Authorization) number, which can only be provided by a Best Choice Products Customer Service Representative when the return request is submitted. Items received without an RA may not be accepted or may increase your return processing time. Once an item has been received by Best Choice Products, refunds or replacements will be processed within 5 business days.

All returns must be shipped back to the Best Choice Products Return Center at the customer's expense. If the reason for return is a result of an error by Best Choice Products then Best Choice Products will provide a pre-paid shipping label via email. Boxes for return shipping will not be provided by Best Choice Products, and is the customer's responsibility to either use the original shipping boxes or purchase new boxes.

Pictures may be required for some returns to ensure an item is not damaged prior to its return. Items returned are not considered undamaged until they are received by Best Choice Products and verified as such. All damages to items are the customer's responsibility until the item has been received by and acknowledge by Best Choice Products as undamaged.



WARNING

Manufacturer and seller expressly disclaim any and all liability for personal injury, property damage or loss, whether direct, indirect, or incidental, resulting from the incorrect attachment, improper use, inadequate maintenance, unapproved modification, or neglect of this product.