

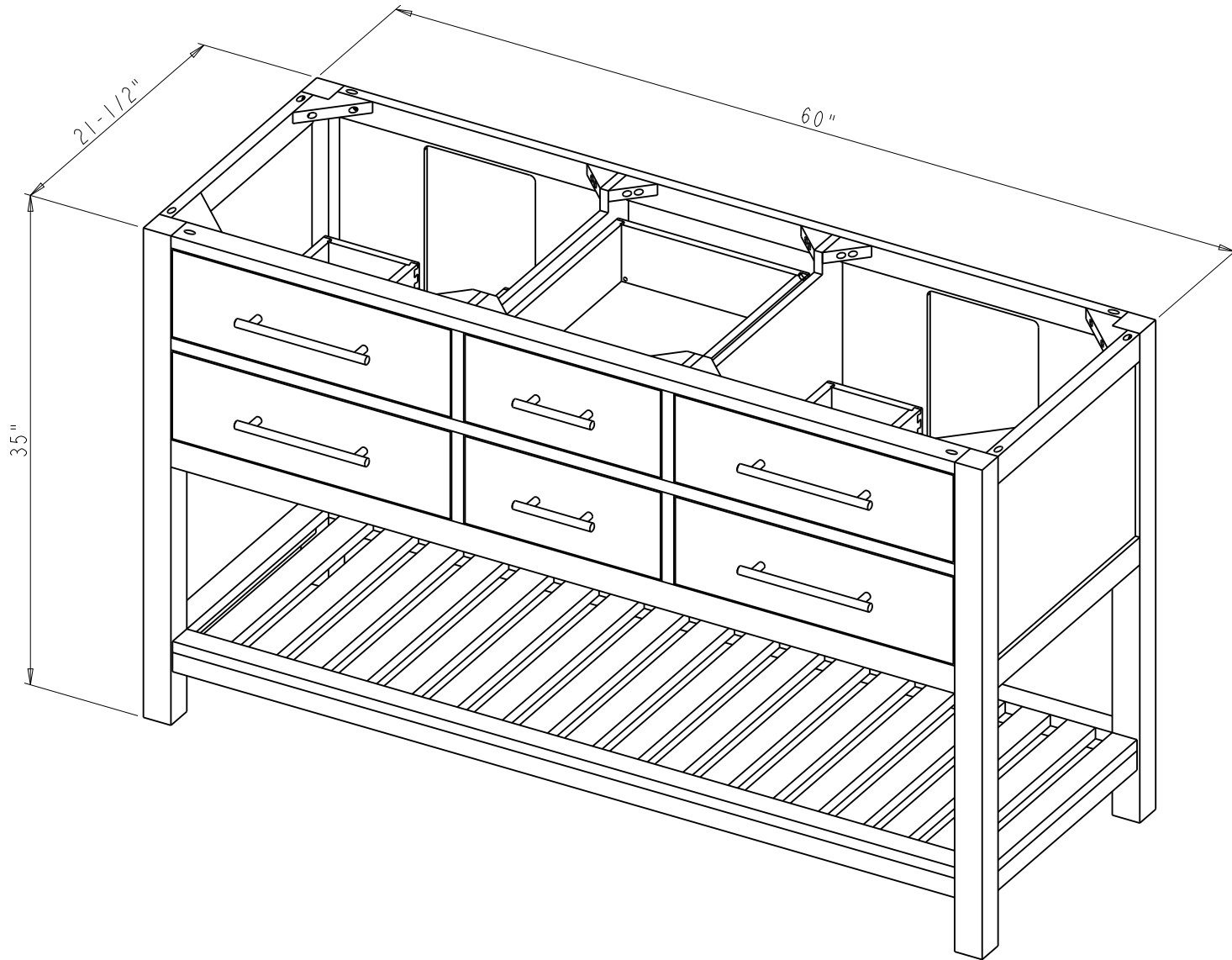



Specification:

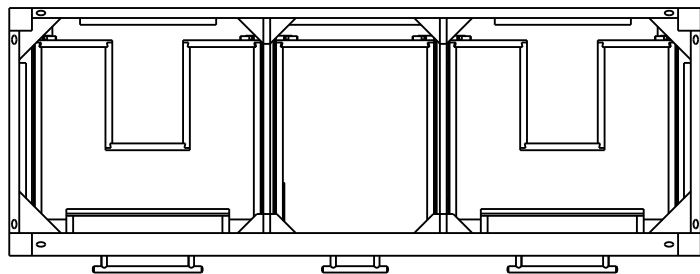
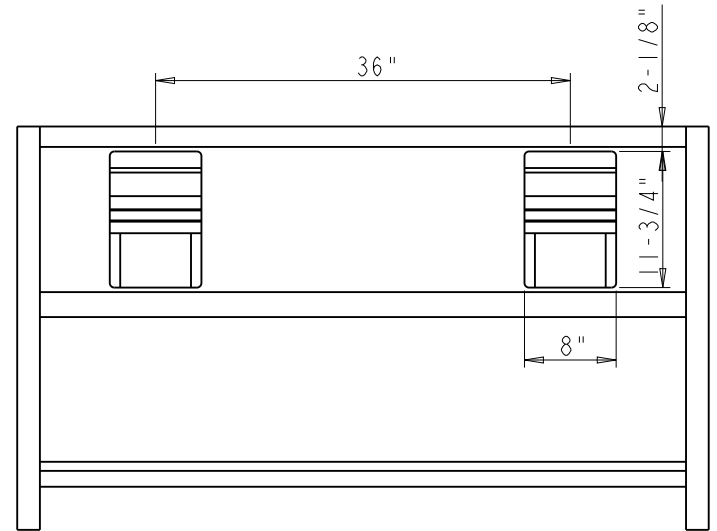
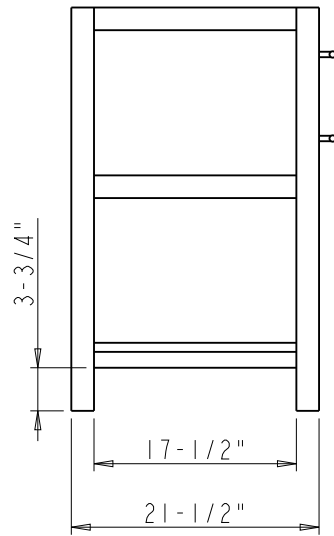
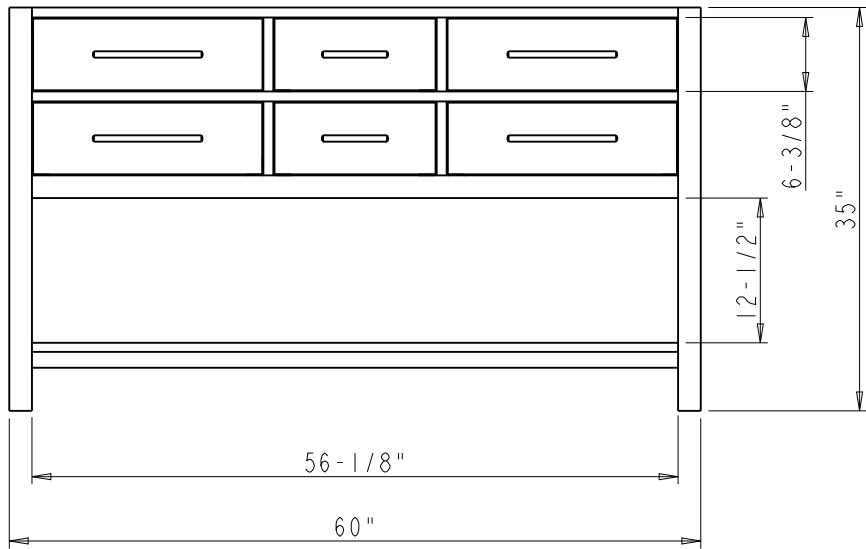
1. Finish: See Table
2. Hardware: See Table
3. Hinge: 700.0537.25+600.1234.05 ( 4 set )
4. Slide: USE58-300-18 + US-CLIP-4W ( 4 set )
5. Lid Stay ( 2 pcs )
6. The tolerance is +/- 1/8"

Item number	Finish	Deco Hardware			
		Item number	Qty	Item number	Qty
VN2WAV-60-GR-NT	Grey	146SN	2	242SN	4
VN2WAV-60-WH-NT	White	146MB	2	242MB	4

 <p><b>PROPRIETARY AND CONFIDENTIAL</b></p> <p>THE INFORMATION CONTAINED IN THIS DRAWING IS THE SOLE PROPERTY OF HARDWARE RESOURCES INC. ANY REPRODUCTION IN PART OR AS A WHOLE WITHOUT THE WRITTEN PERMISSION OF HARDWARE RESOURCES INC. IS PROHIBITED.</p> <p>DO NOT SCALE DRAWING</p>	ITEM#: VN2WAV-60	MATERIAL:
	FINISH:	WEIGHT: 9
		PROJECTION 
	TOLERANCE UNLESS OTHERWISE SPECIFIED: X ±0.20 X.X ±0.10 X.XX ±0.05 ANGULAR: ±0.5°	UNITS: DRAWN BY: <b>Hugo.cai</b>
	APPROVED BY:	DATE:
	RELEASE LEVEL:	REVISION:



 <p><b>PROPRIETARY AND CONFIDENTIAL</b></p> <p>THE INFORMATION CONTAINED IN THIS DRAWING IS THE SOLE PROPERTY OF HARDWARE RESOURCES INC. ANY REPRODUCTION IN PART OR AS A WHOLE WITHOUT THE WRITTEN PERMISSION OF HARDWARE RESOURCES INC. IS PROHIBITED.</p> <p>DO NOT SCALE DRAWING</p>	ITEM:	VN2WAV - 60	MATERIAL:	
	FINISH:		WEIGHT:	9
	TOLERANCE UNLESS OTHERWISE SPECIFIED:	UNITS:	DRAWN BY:	DATE:
	X ±0.20 X.X ±0.10 X.XX ±0.05 ANGULAR: ±0.5°	SIZE: SHEET:	APPROVED BY: RELEASE LEVEL:	Mar - 24 - 20 DATE: REVISION:



<p><b>PROPRIETARY AND CONFIDENTIAL</b></p> <p>THE INFORMATION CONTAINED IN THIS DRAWING IS THE SOLE PROPERTY OF HARDWARE RESOURCES INC. ANY REPRODUCTION IN PART OR AS A WHOLE WITHOUT THE WRITTEN PERMISSION OF HARDWARE RESOURCES INC. IS PROHIBITED.</p> <p>DO NOT SCALE DRAWING</p>	ITEM#: VN2WAV - 60	MATERIAL:	
	FINISH:	WEIGHT:	
	TOLERANCE UNLESS OTHERWISE SPECIFIED: X ±0.20 X.X ±0.10 X.XX ±0.05 ANGULAR: ±0.5°	UNITS:	DRAWN BY: <i>Hugo.cai</i>
	DATE: Mar - 24 - 20	APPROVED BY:	DATE:
	PROJECTION	REVISION:	
	RELEASE LEVEL:		