

3M™ Scotchlok™ Self-Stripping Electrical Tap Connectors 567

Data Sheet

November 2025

Applications Use 3M™ Scotchlok™ Tap Connector 567 to electrically connect a (tap) wire end to a through (run) wire and insulate the connection.

Wire Range (Tap) 18-14 AWG (.75-1.5 mm²): (Run) 12-10 AWG (4.0 mm²)
Solid or stranded copper conductors. For use with common thermoplastic insulated wires such as: T, TF, TFF, TFN, TFFN, AWM, TEW, SAE-GPT with a maximum insulation diameter of (tap) .145 inches (3.5 mm) run .190 inches (4.8 mm).

Maximum recommended current for general purpose applications

18 AWG - 7 Amps
16 AWG - 10 Amps
14 AWG - 15 Amps
10 AWG - 25 Amps

Construction U-Contact: Tin-plated brass, .03 in. (0,8 mm) thick
Insulator: Flame-retardant polypropylene
Color: Brown
Weight .0067 lb. (3.0 gm)

Agency Approvals, Self-Certifications UL Listed - Tested per UL Standard 486C

UL file No. E23438

Voltage rated at 600 volts maximum, building wire; 1000 volts maximum, signs, fixtures, and luminaires.



Operating Temperature: 105°C (221°F)

Flammability Rating: UL94 V-2

For Regulatory information including RoHS, REACH, please visit www.3M.com/regs

Engineering/ Architect Specification 3M™ Scotchlok™ Self-Stripping Electrical Tap Connector (as manufactured by 3M, part No. 567) capable of connecting a tap wire 18-14 AWG solid or stranded copper to a run wire solid or stranded copper. Connector shall be UL Listed for 600 volts maximum, building wire; 1000 volts maximum, signs, fixtures and luminaires, and temperature rated 105°C maximum.

Recommended Installation Tools 9" Lineman's Pliers
8" Mechanics (slip joint) Pliers

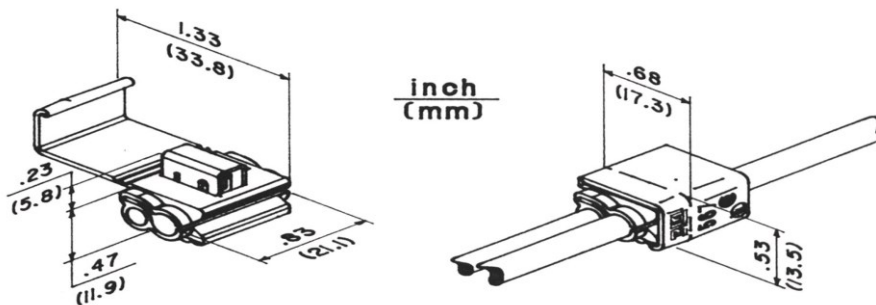
3M™ Scotchlok™ Self-Stripping Electrical Tap Connectors 567

Installation Technique

⚠ WARNING

Working around energized systems may cause serious injury or death. Installation should be performed by personnel familiar with good safety practice in handling electrical equipment. De-energize and ground all electrical systems before installing product.

1. Place unstripped run wire inside run channel.
2. Insert unstripped tap wire completely and check its position in the inspection port.
3. Hold tool perpendicular to the wires and make the connection by driving the u-contact down flush with the top of the plastic insulator.
4. Close hinged top cover until latched.



Shelf Life & Storage

3M™ Scotchlok™ Electrical Tap Connector 567 has a 5-year shelf life from date of manufacture when stored in a humidity-controlled storage (10°C/50°F to 27°C/80°F and <75% relative humidity).

Availability

Please contact your local distributor; available from 3M.com/electrical [Where to Buy] or call 1.800.245.3573.

Technical Information

The technical information, guidance, and other statements contained in this document or otherwise provided by 3M are based upon records, tests, or experience that 3M believes to be reliable, but the accuracy, completeness, and representative nature of such information is not guaranteed. Such information is intended for people with sufficient knowledge and technical skills to assess and apply their own informed judgment to the information. No license under any 3M or third-party intellectual property rights is granted or implied with this information.

Product Selection and Use

Many factors beyond 3M's control and uniquely within user's knowledge and control can affect the use and performance of a 3M product in a particular application. As a result, customer is solely responsible for evaluating the product and determining whether it is appropriate and suitable for customer's application, including conducting a workplace hazard assessment and reviewing all applicable regulations and standards (e.g., OSHA, ANSI, etc.). Failure to properly evaluate, select, and use a 3M product in accordance with all applicable instructions and with appropriate safety equipment, or to meet all applicable safety regulations, may result in injury, sickness, death, and/or harm to property.

**Warranty; Limited
Remedy; Limited
Liability**

Unless a different warranty is specifically stated on the applicable 3M product packaging or product literature (in which case such warranty governs), 3M warrants that each 3M product meets the applicable 3M product specification at the time 3M ships the product. 3M MAKES NO OTHER WARRANTIES OR CONDITIONS, EXPRESS OR IMPLIED, INCLUDING, BUT NOT LIMITED TO, ANY IMPLIED WARRANTY OR CONDITION OF MERCHANTABILITY, FITNESS FOR A PARTICULAR PURPOSE, OR ARISING OUT OF A COURSE OF DEALING, CUSTOM, OR USAGE OF TRADE. If a 3M product does not conform to this warranty, then the sole and exclusive remedy is, at 3M's option, replacement or repair of the 3M product or refund of the purchase price. Warranty claims must be made within one (1) year from the date of 3M's shipment.

Limitation of Liability

Except for the limited remedy stated above, and except to the extent prohibited by applicable law, 3M will not be liable for any loss or damage arising from or related to the 3M product, whether direct, indirect, special, incidental, or consequential (including, but not limited to, lost profits or business opportunity), regardless of the legal or equitable theory asserted, including, but not limited to, warranty, contract, negligence, or strict liability.

Disclaimer

3M industrial and occupational products are intended, labeled, and packaged for sale to trained industrial and occupational customers for workplace use. Unless specifically stated otherwise on the applicable product packaging or literature, these products are not intended, labeled, or packaged for sale to or use by consumers (e.g., for home, personal, primary or secondary school, recreational/sporting, or other uses not described in the applicable product packaging or literature), and must be selected and used in compliance with applicable health and safety regulations and standards (e.g., U.S. OSHA, ANSI), as well as all product literature, user instructions, warnings, and limitations, and the user must take any action required under any recall, field action or other product use notice. Misuse of 3M industrial and occupational products may result in injury, sickness, or death. For help with product selection and use, consult your on-site safety professional, industrial hygienist, or other subject matter expert. For additional product information, visit www.3M.com

3M and Scotchlok are trademarks of 3M Company.



is a trademark of Underwriters Laboratories.



13011 McCallen Pass Bldg. C
Austin, Texas 78753
800 245 3573
FAX: 800 245 0329
www.3M.com/electrical

Please recycle.
© 3M 2025 All rights reserved.
78-8126-5860-3 Rev E