

# Lightology

lightology.com  
866-954-4489  
05-20-26

Project: \_\_\_\_\_

Company: \_\_\_\_\_

Location: \_\_\_\_\_ Fixture Type: \_\_\_\_\_

SPEC #: **VCS834024**

Approved On: \_\_\_\_\_ Approved By: \_\_\_\_\_

## Dunne Drum Pendant By Visual Comfort Studio



### Description

Dunne Drum Pendant brings a rustic and whimsical feel to any room in your home. Features a Natural linen shade with an Aged Iron finish. The Aged Iron finish is considered a living finish and will develop an increasingly beautiful patina over time. Canopy: 5 inch diameter. Damp location rated. ETL listed.

### Specifications

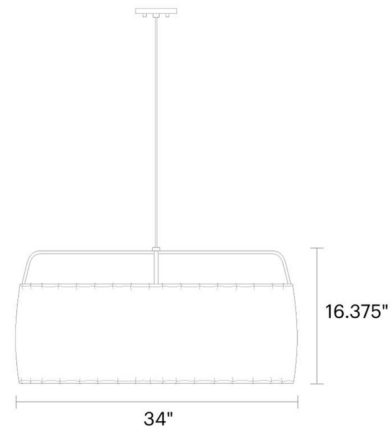
COLOR . . . . . Natural  
BODY FINISH . . . . . Aged Iron  
WATTAGE . . . . . 32W  
DIMMER . . . . . Standard 120V  
DIMENSIONS . . . . . 34"W x 16.375"H  
BULB NOT INCLUDED . . . . . 4 x A19/Medium (E26)/8W/120V LED  
OTHER BULB OPTIONS . . . . . 4 x A19/Medium (E26)/60W/120V Incandescent

### Technical Information

PRODUCT DIMENSIONS . . . . . Adjustable Cable Length: 180"



Shown in aged iron / natural



CLICK TO VIEW PRODUCT

Notes: