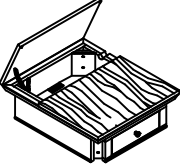
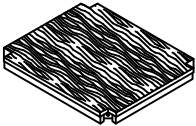






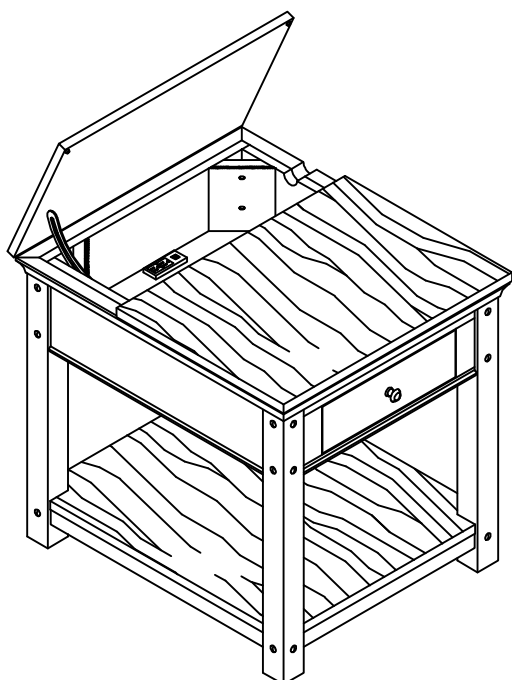


# ASSEMBLY INSTRUCTION

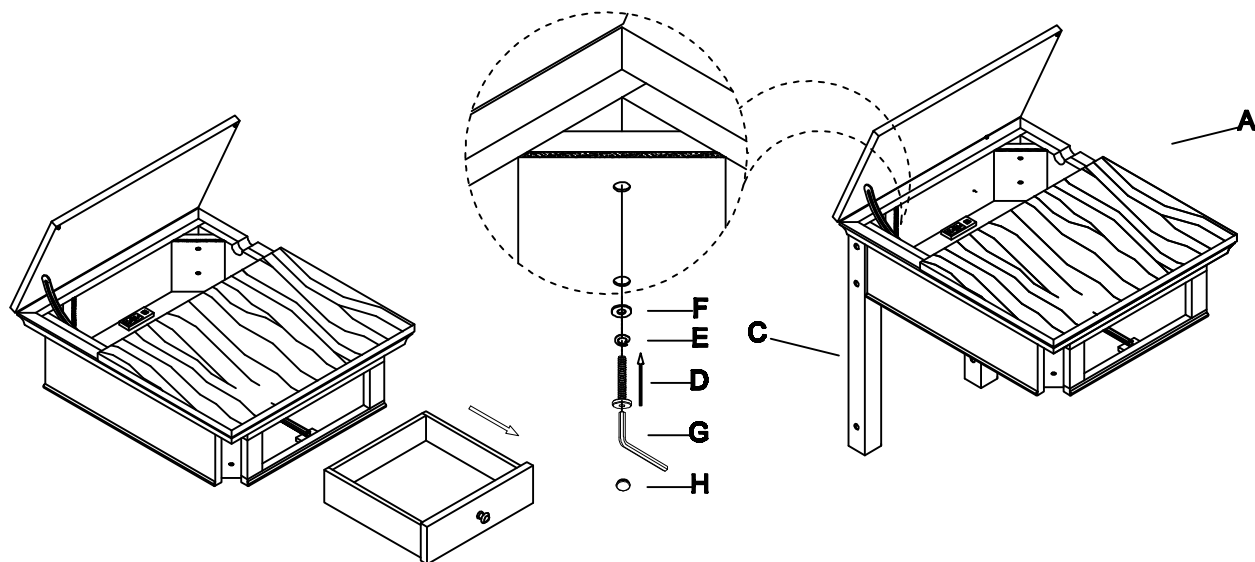
## END TABLE WITH POWER OUTLET

<b>A</b> Top Panel 	<b>B</b> Bottom Shelf 	<b>C</b> Metal Leg 	<b>D</b> Bolt $\phi 1/4" \times 1-3/4"$ 
<b>E</b> Spring Washer $1/4"$ 	<b>F</b> Flat Washer $1/4" \times 16\text{mm}$ 	<b>G</b> Wrench $4\text{mm}$ 	<b>H</b> Plastic Cap 
12PCS	12PCS	1PC	4PCS

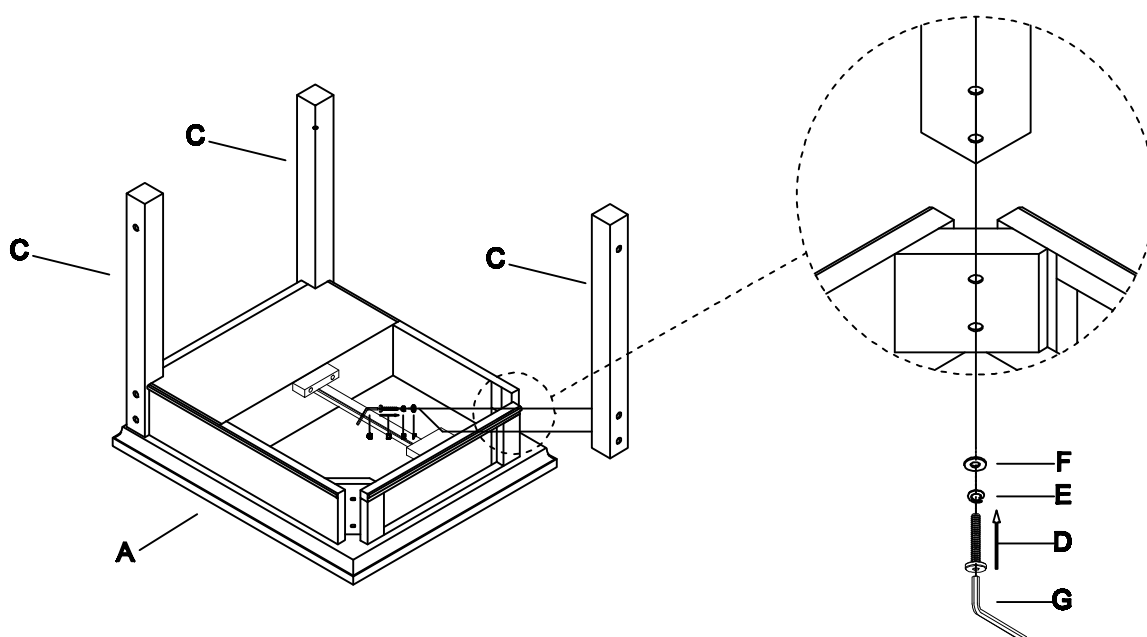


This page lists all the contents included in the box. Please take the time to identify the hardware as well as the individual components to this product. As you unpack and prepare for assembly, place the contents on a carpeted or padded area to protect them from damage.

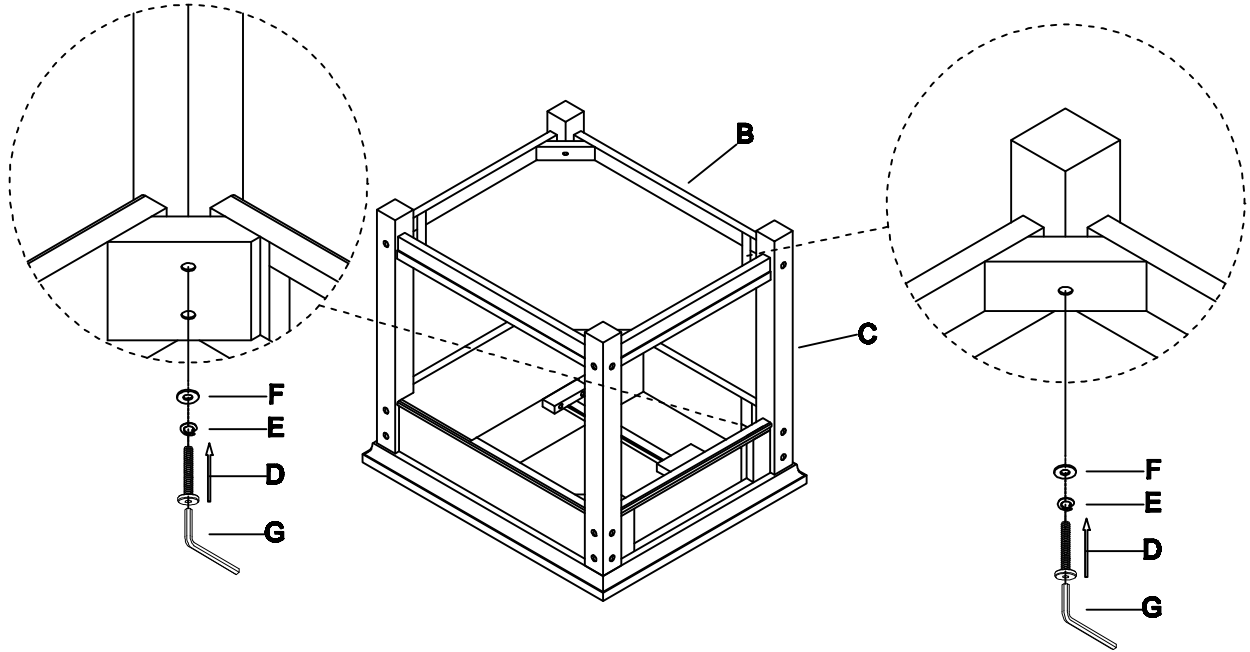
- 1** Pull out the drawer from Top Panel (A). Lift the top, and attach 2pcs Metal Leg (C) to Top Panel (A) using Bolt (D), Spring Washer (E), Flat Washer (F) by Wrench (G), then lid Plastic Cap (H) on it.



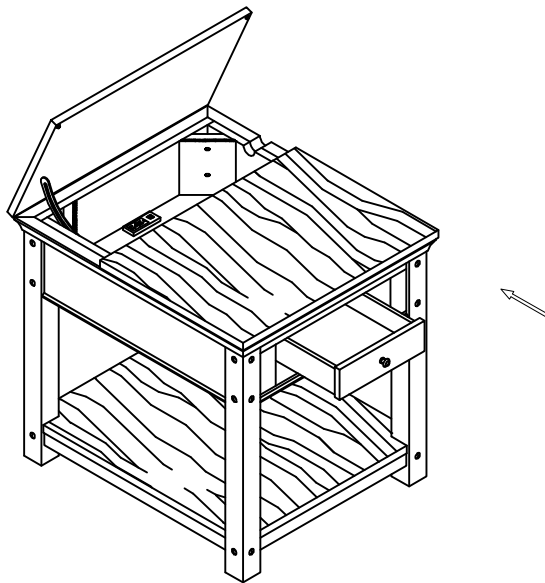
- 2** Turn Top Panel (A) down, and attach the 3rd Metal Leg (C) on it using Bolt (D), Spring Washer (E), Flat Washer (F) by Wrench (G).



- 3** Attach the Bottom Shelf (B) onto the 3pcs Metal Leg (C) using Bolt (D), Spring Washer (E), Flat Washer (F) by Wrench (G). Then attach the 4th Metal Leg (C) to both Bottom Shelf (B) and Top Panel (A) by the same method. Finally lock them up to 100%.



- 4** Turn over the table and put the drawer in.

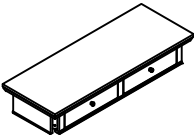

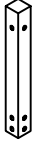




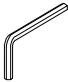



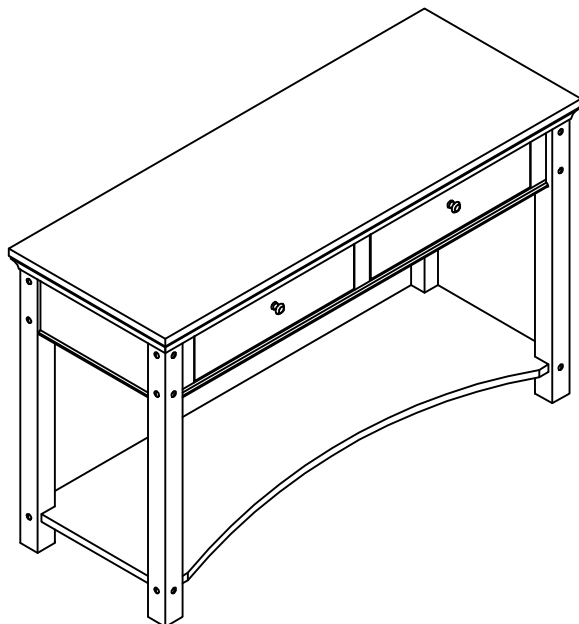
#### Cleaning & Care

Treat surface with care. Surface is resistant to scratches but is not scratch resistant. Clean surfaces with a dry or damp soft cloth. Do not use abrasive cleaners. Hardware may loosen over time. Periodically check that all connections are tight.

# ASSEMBLY INSTRUCTION

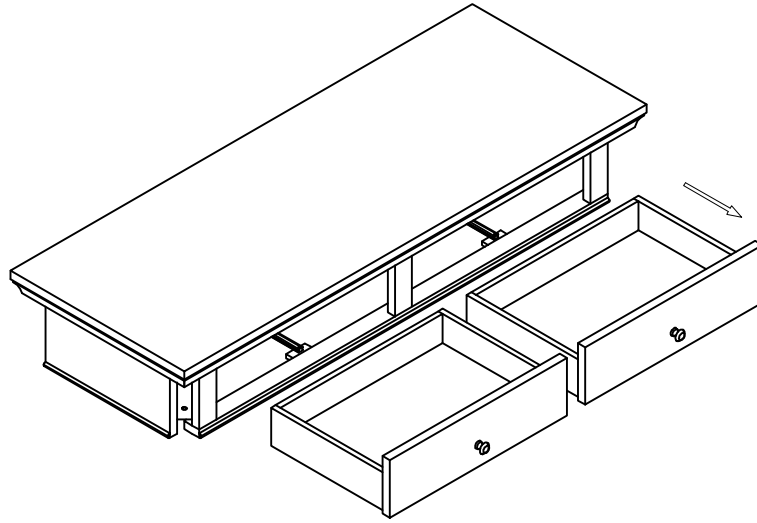
## 2-DRAWER SOFA TABLE

<b>A Top Panel</b>  1PC	<b>B Bottom Shelf</b>  1PC	<b>C Metal Leg</b>  4PCS	<b>D Bolt-Big</b> $\phi 1/4" \times 1-3/4"$  8PCS
<b>E Bolt-Small</b> $\phi 1/4" \times 5/8"$  8PCS	<b>F Spring Washer</b> $1/4"$  16PCS	<b>G Flat Washer</b> $1/4" \times 16\text{mm}$  16PCS	<b>H Wrench</b> $4\text{mm}$  1PC
<b>I Iron Bracket</b>  4PCS			

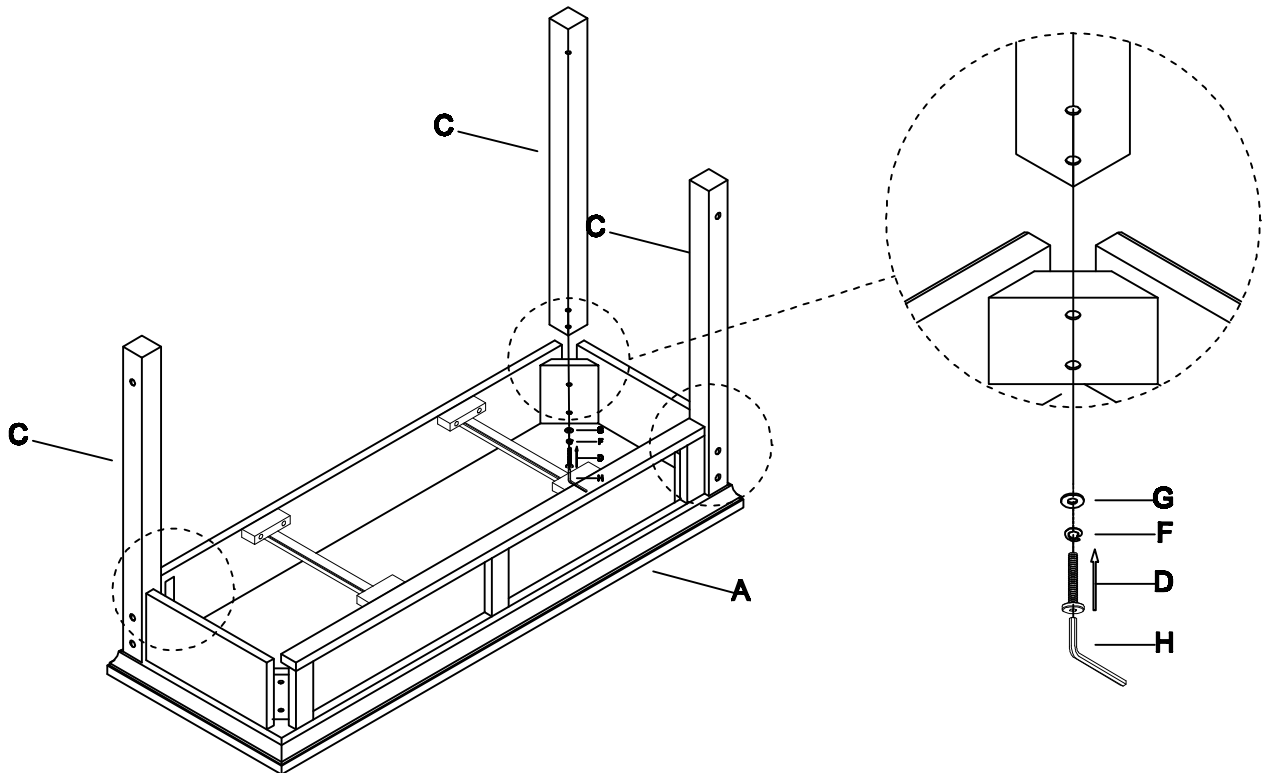


This page lists all the contents included in the box. Please take the time to identify the hardware as well as the individual components to this product. As you unpack and prepare for assembly, place the contents on a carpeted or padded area to protect them from damage.

**1** Pull out the drawer from Top Panel (A).

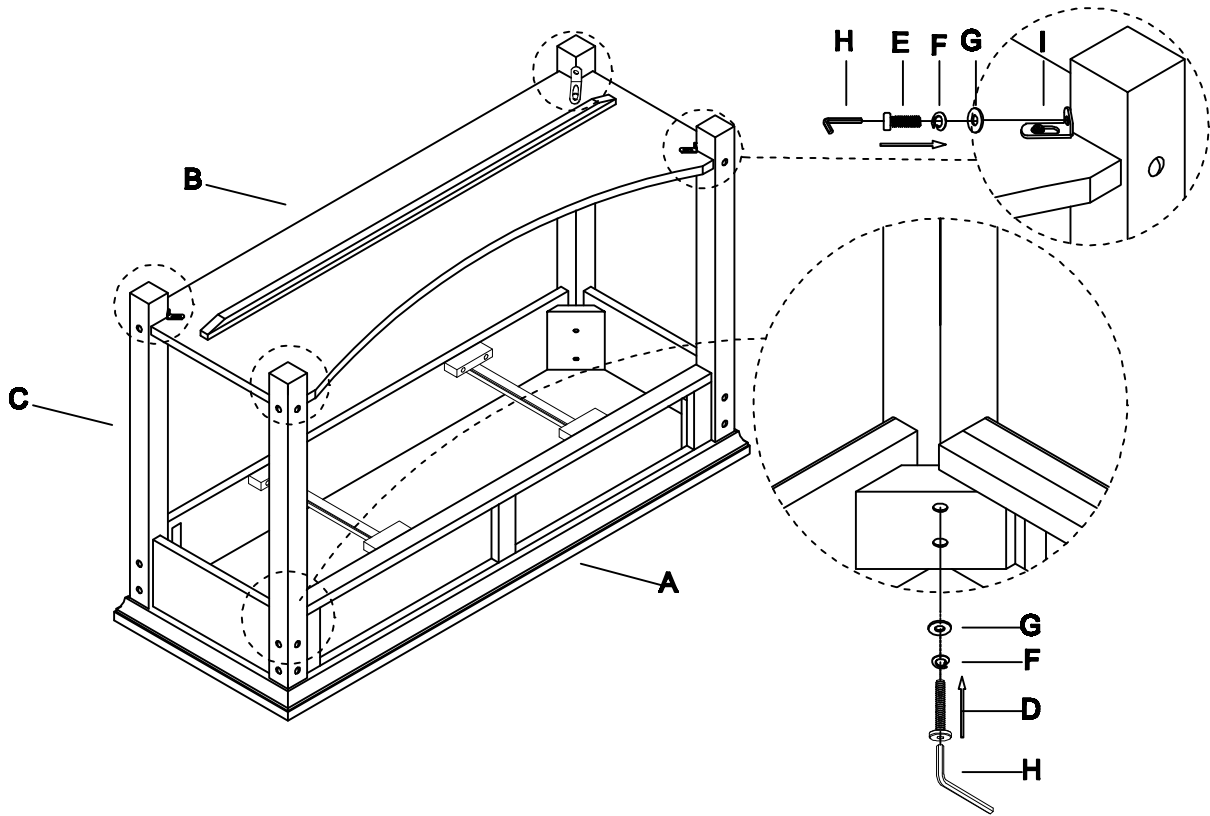


**2** Attach 3pcs Metal Leg (C) to Top Panel (A) using Bolt-Big (D), Spring Washer (F), Flat Washer (G) by Wrench (H).

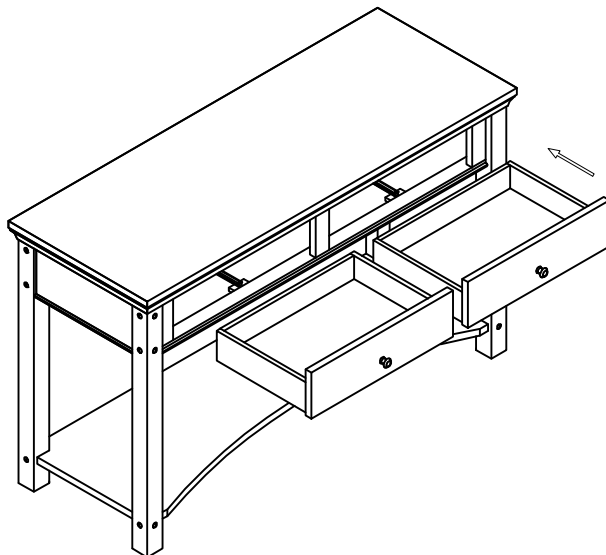


**3**

Attach the Bottom Shelf (B) onto the 3pcs Metal Leg (C) using Bolt-Small (E), Spring Washer (F), Flat Washer (G), Iron Bracket (I) by Wrench (H). Then attach the 4th Metal Leg (C) to both Bottom Shelf (B) and Top Panel (A) by the same method. Finally lock them up to 100%.

**4**

Turn over the table and put the drawers in.



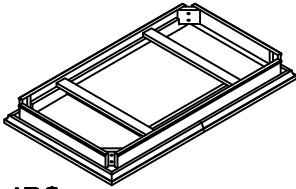
#### Cleaning & Care

Treat surface with care. Surface is resistant to scratches but is not scratch resistant. Clean surfaces with a dry or damp soft cloth. Do not use abrasive cleaners. Hardware may loosen over time. Periodically check that all connections are tight.

# ASSEMBLY INSTRUCTION

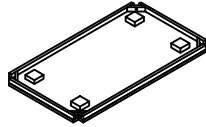
## LIFT-TOP COCKTAIL TABLE

**A** Top Panel



1PC

**B** Bottom Shelf



1PC

**C** Metal Leg



4PCS

**D** Bolt  
 $\phi 1/4" \times 1-3/4"$



12PCS

**E** Spring Washer  
 1/4"



12PCS

**F** Flat Washer  
 1/4" X 16mm



12PCS

**G** Wrench  
 4mm



1PC

**H** Caster  
 2"

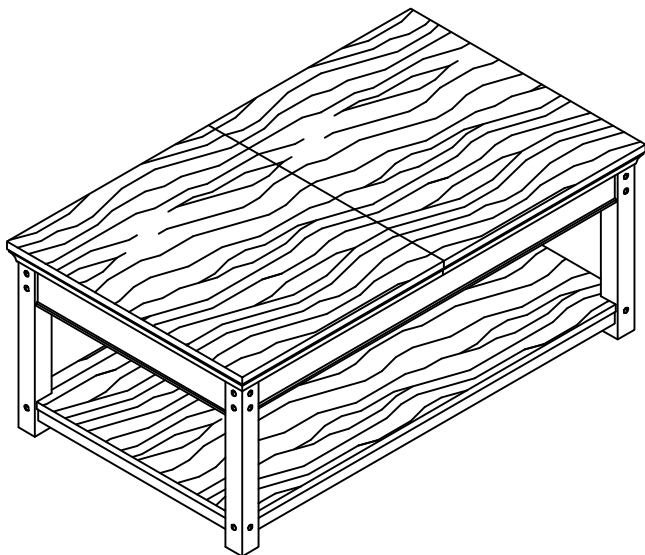


4PCS

**I** Screw  
 #8 X 3/4"

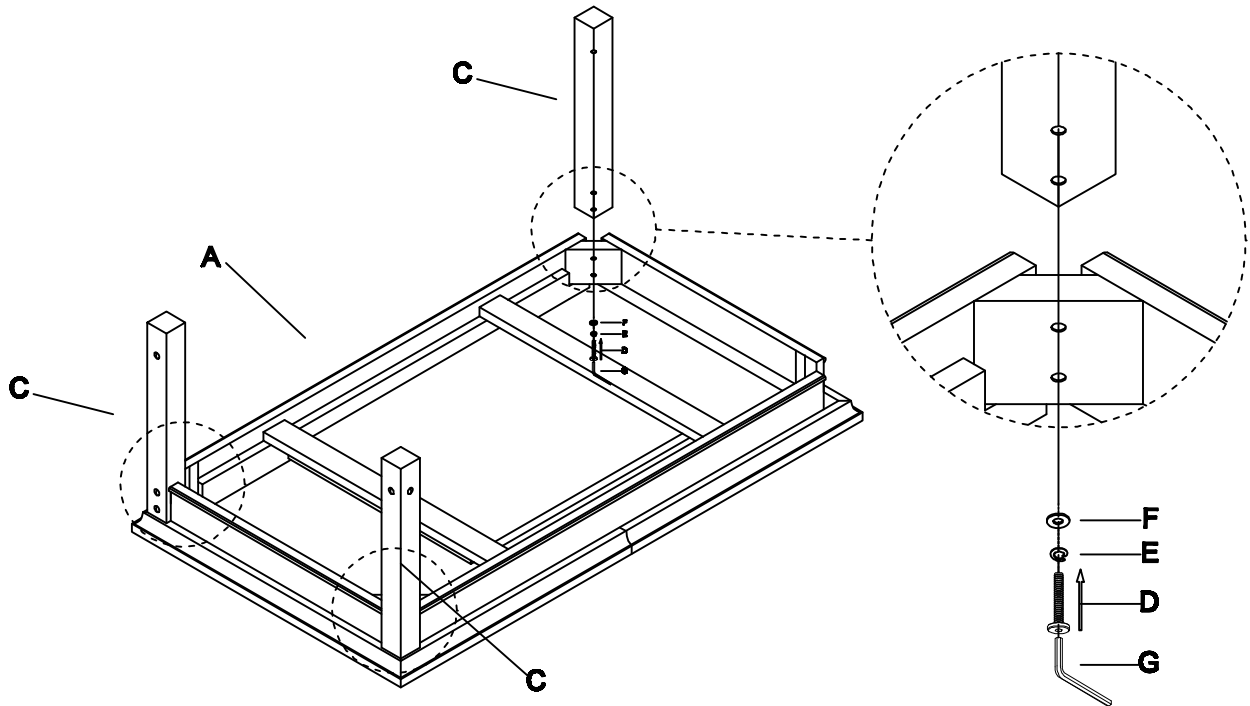


16PCS

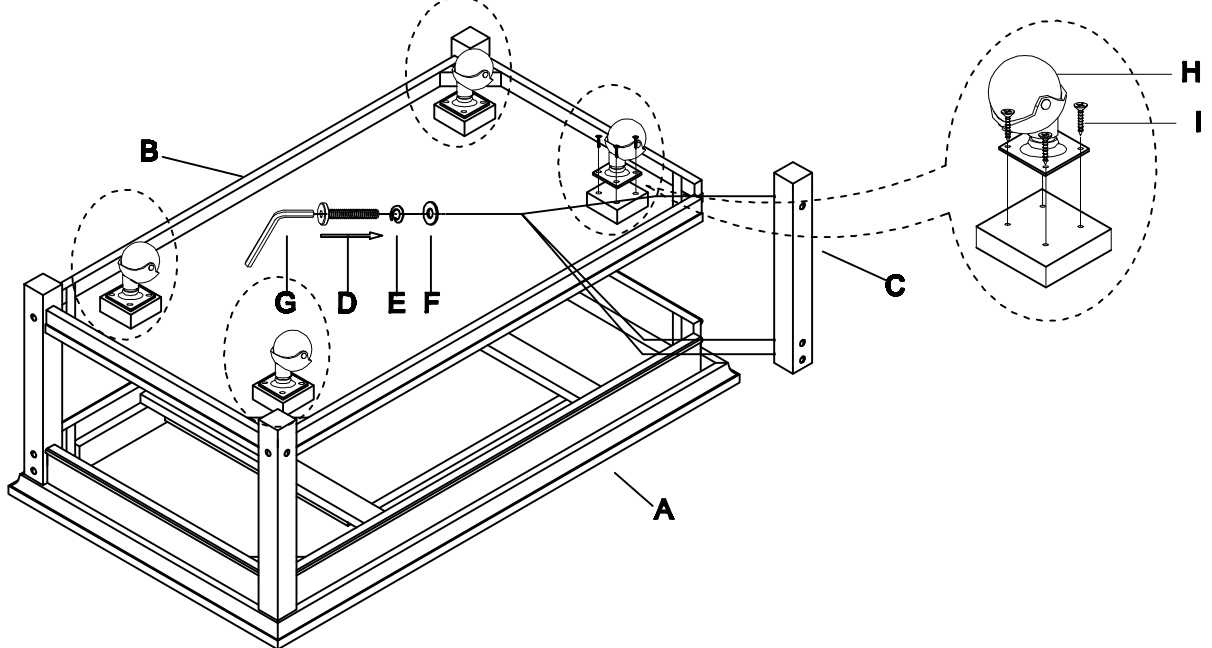


This page lists all the contents included in the box. Please take the time to identify the hardware as well as the individual components to this product. As you unpack and prepare for assembly, place the contents on a carpeted or padded area to protect them from damage.

**1** Attach 3pcs Metal Leg (C) to Top Panel (A) using Bolt (D), Spring Washer (E), Flat Washer (F) by Wrench (G).



**2** Attach Bottom Shelf (B) to 3pcs Metal Leg (C) using Bolt (D), Spring Washer (E), Flat Washer (F) by Wrench (G), then assemble the 4th Metal Leg (C) on Top Panel (A) and Bottom Shelf (B) by the same method. Finally attach Caster (H) on the Bottom Shelf (B) by using Screw (I).



#### Cleaning & Care

Treat surface with care. Surface is resistant to scratches but is not scratch resistant. Clean surfaces with a dry or damp soft cloth. Do not use abrasive cleaners. Hardware may loosen over time. Periodically check that all connections are tight.