

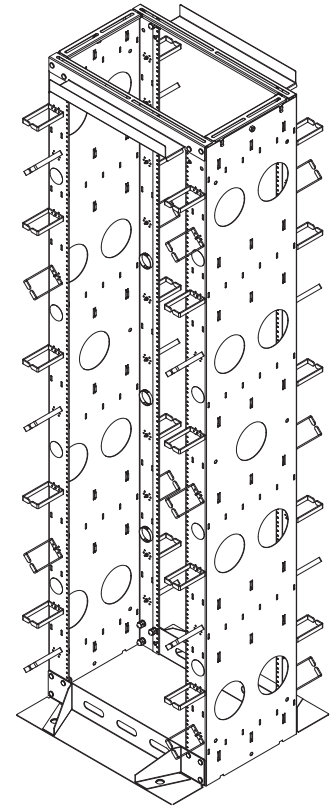
MK-1945-24



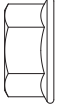
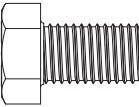
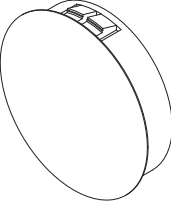
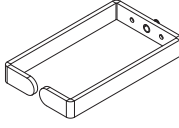
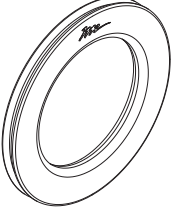
ASSEMBLY INSTRUCTIONS

PATENT PENDING

Tools Needed:

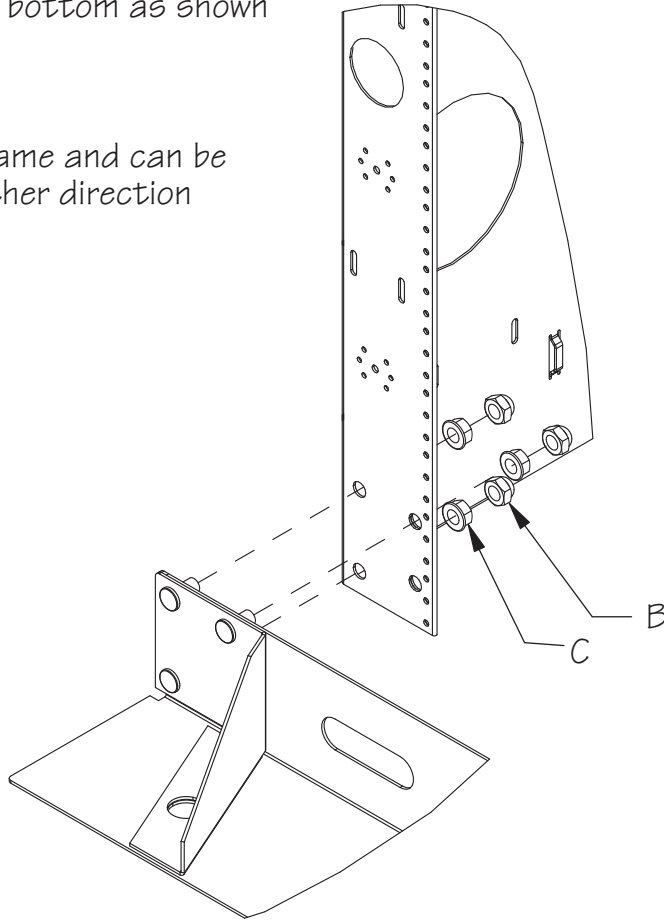
- 9/16" Wrench or socket
- 5/8" Wrench or socket
- 5/16" Wrench or socket



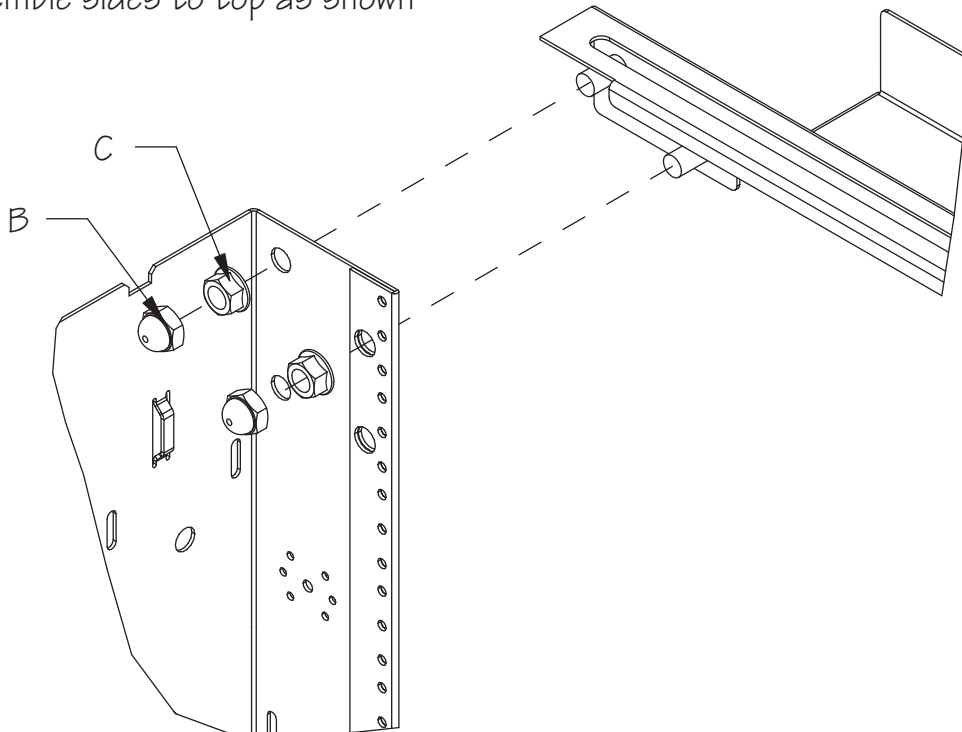
PART LETTER	PART IMAGE	PART NUMBER	DESCRIPTION	QTY.
A		SAN	NUT, # 8-32 ACORN	40
B		3/8AN	NUT, 3/8-16 ACORN	28
C		92-012	NUT, 3/8-16 FLANGE	28
D		92-011	BOLT, 3/8-16, HEX	8
E		500-00166	HOLE PLUG, NYLON, 1.75", BLACK	16
F		MK Series Cable Ring	CABLE MANAGEMENT RING	40
G		GK4	CABLE GROMMET RING, 4 PIECES	1

1) Assemble sides to bottom as shown

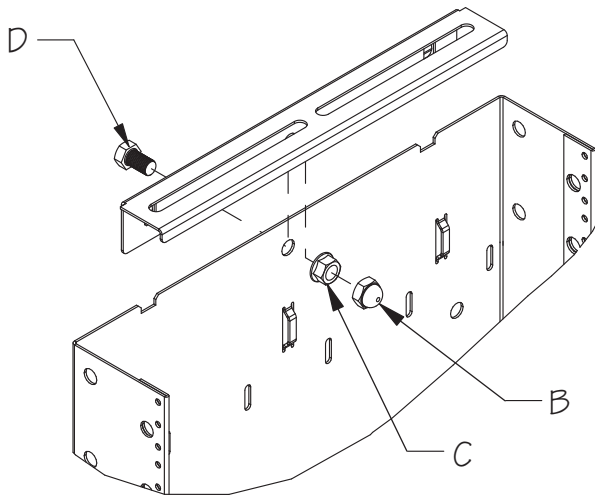
NOTE: Sides are the same and can be assembled in either direction



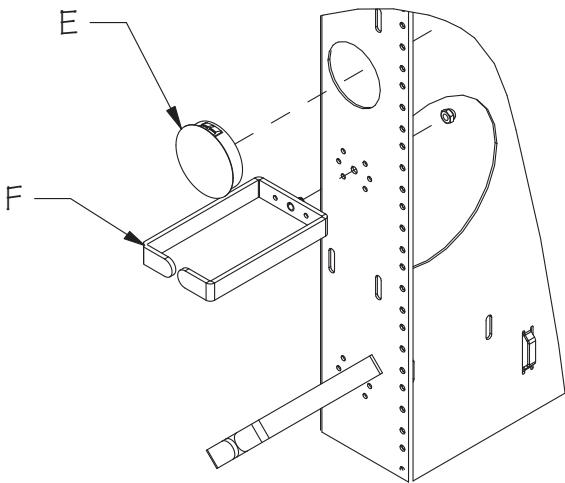
2) Assemble sides to top as shown



3) Assemble ladder bracket as shown

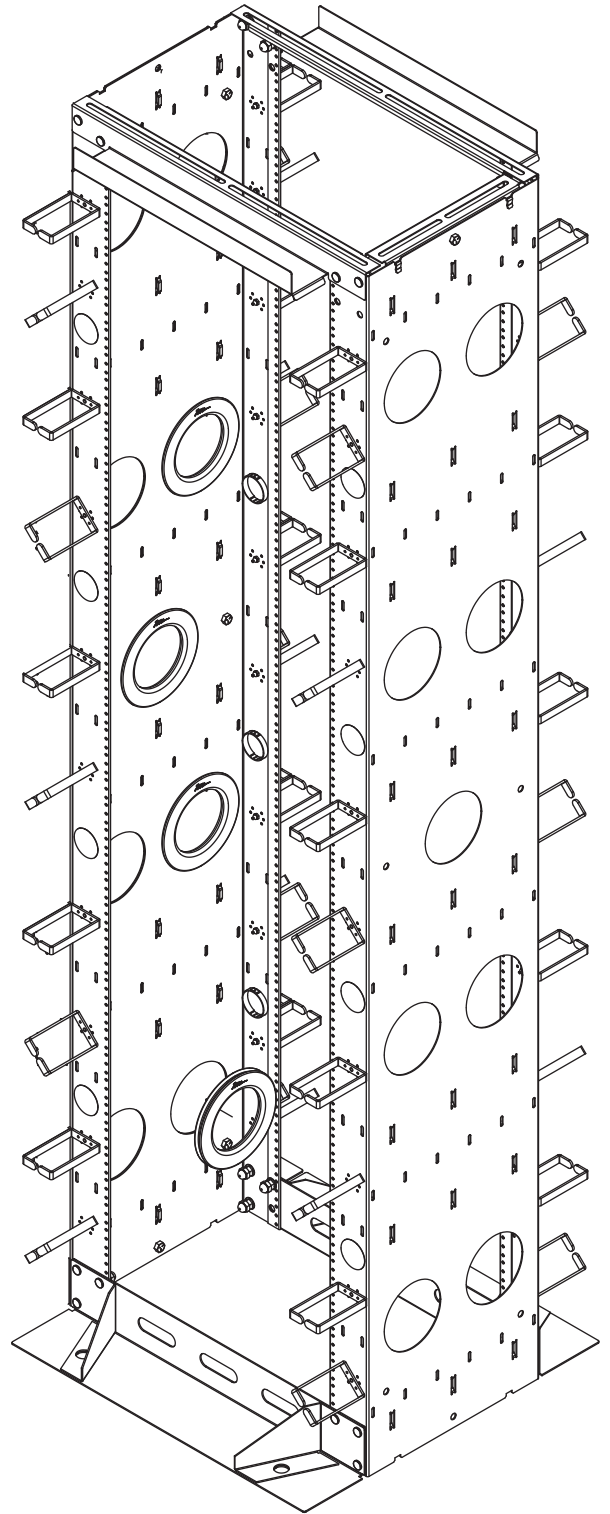
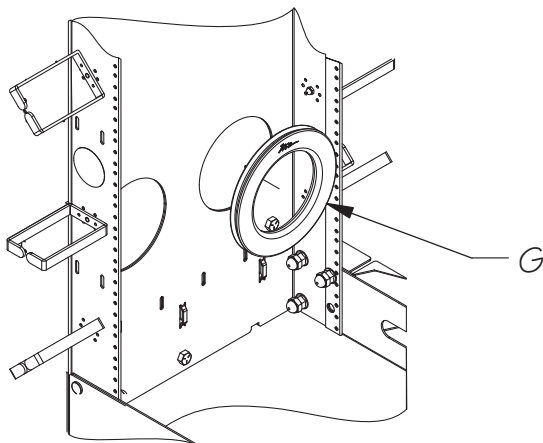


4) Install hole plug and cable ring as shown

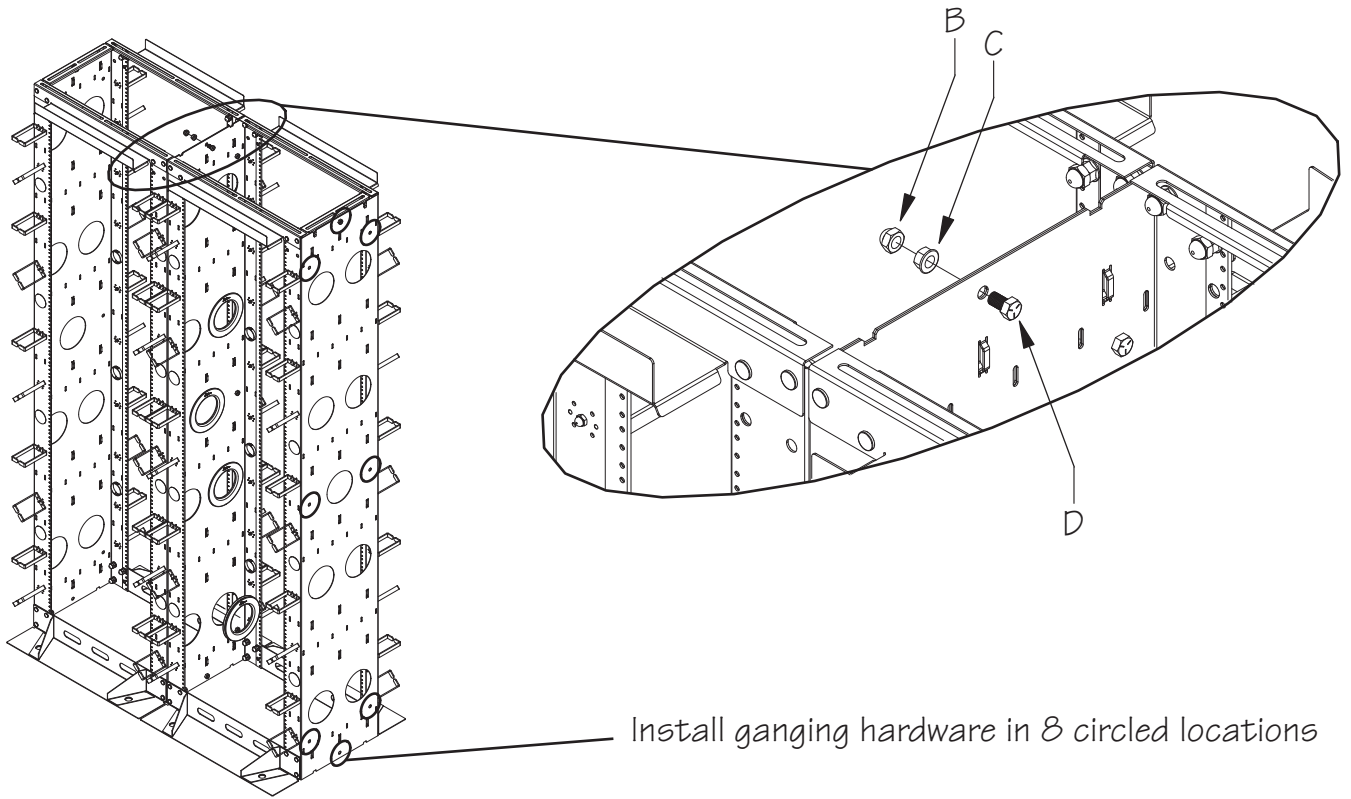


5) Install GK4 grommet rings where cable may pass-through, as shown

NOTE: 4 pieces GK4 grommet rings included. Order Middle Atlantic Products part # GK4 for more, includes 4 pieces grommet rings



To gang racks, install hardware supplied in 8 locations shown



Install ganging hardware in 8 circled locations

To install grommet rings, pull open flange and insert bottom edge into cable pass-through holes. Firmly press grommet into position, working your way around until fully inserted

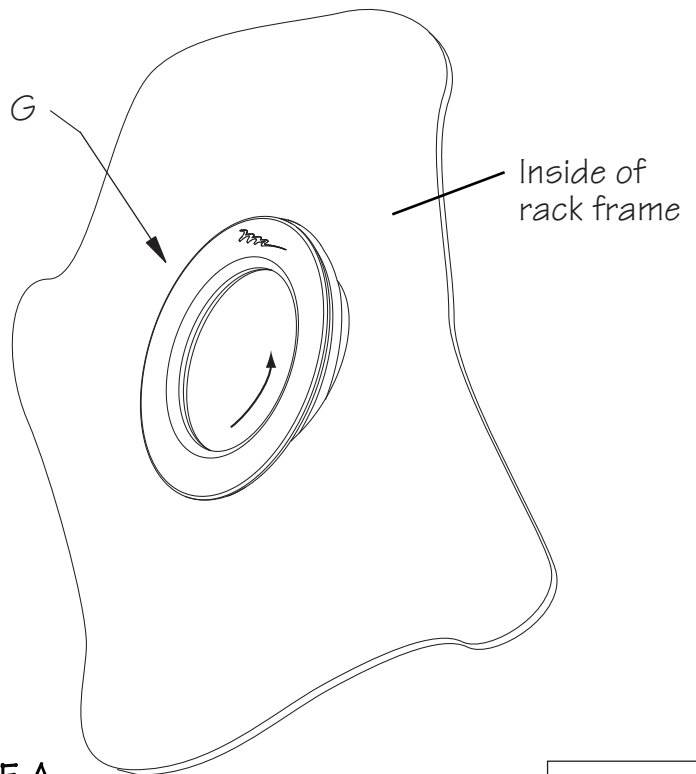
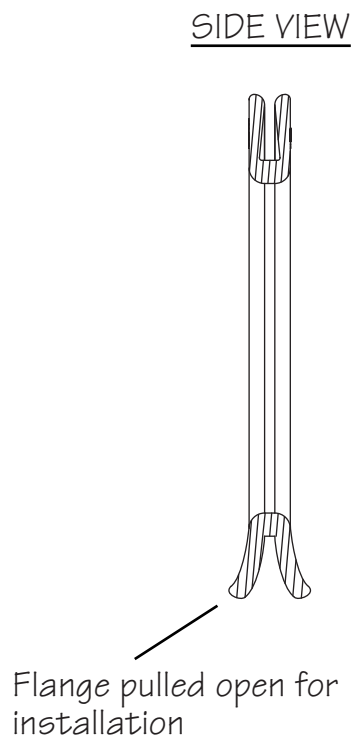


FIGURE A