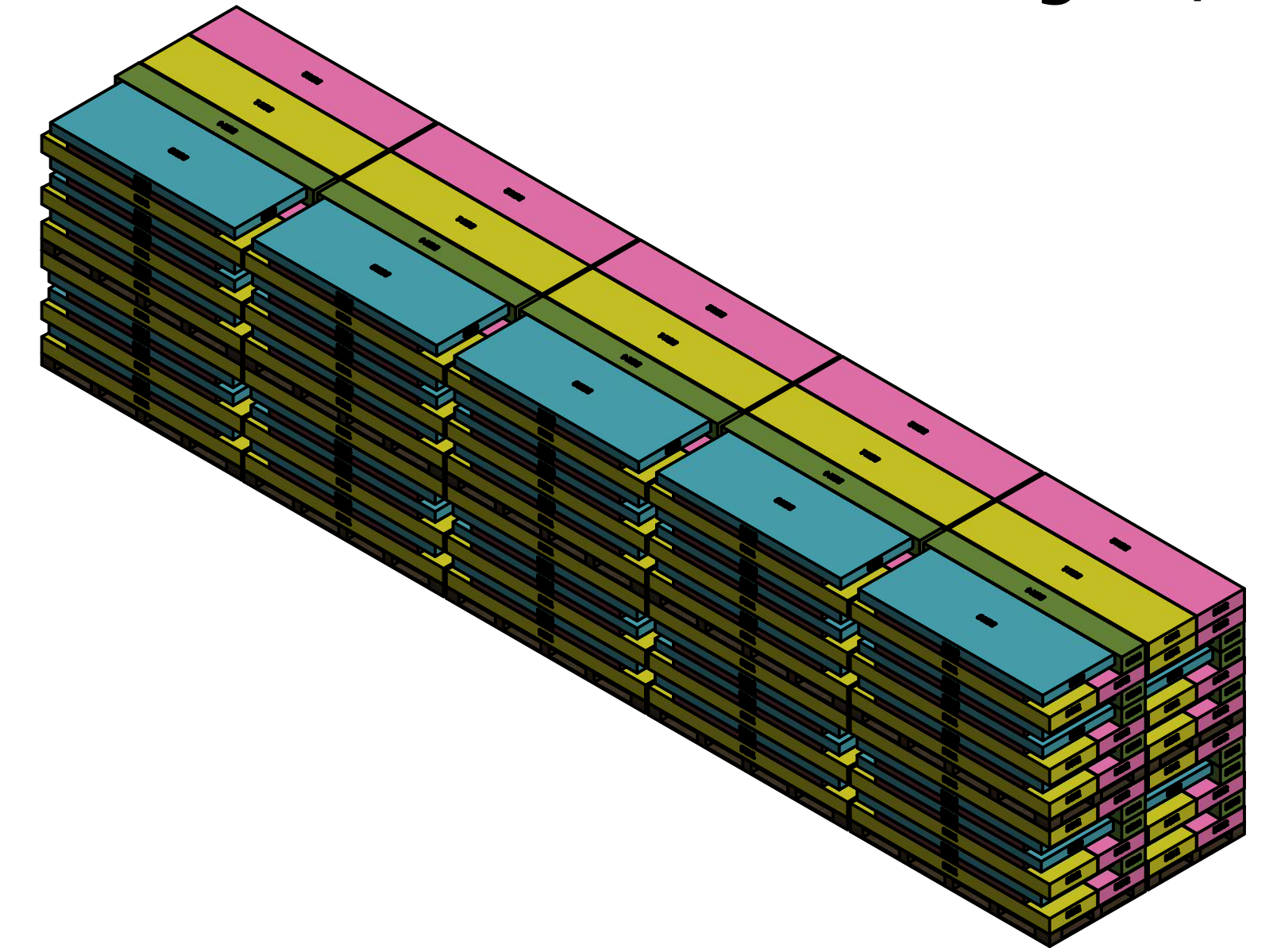
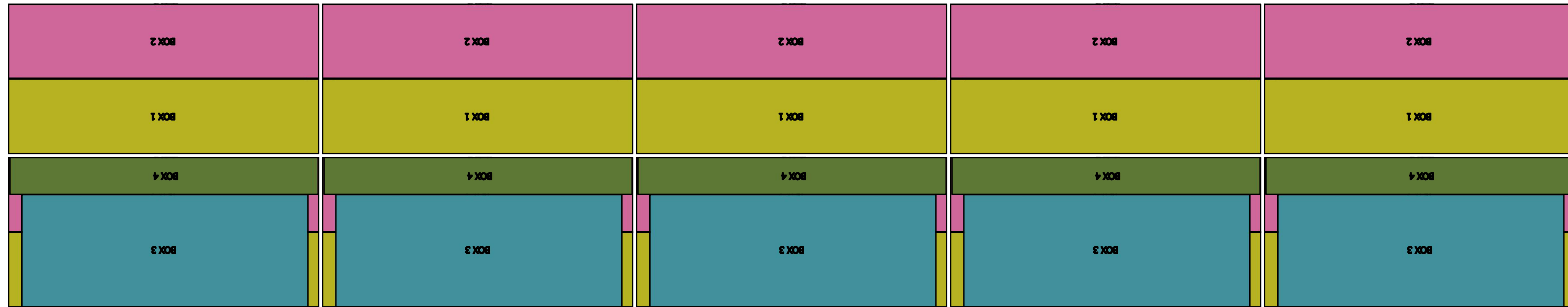


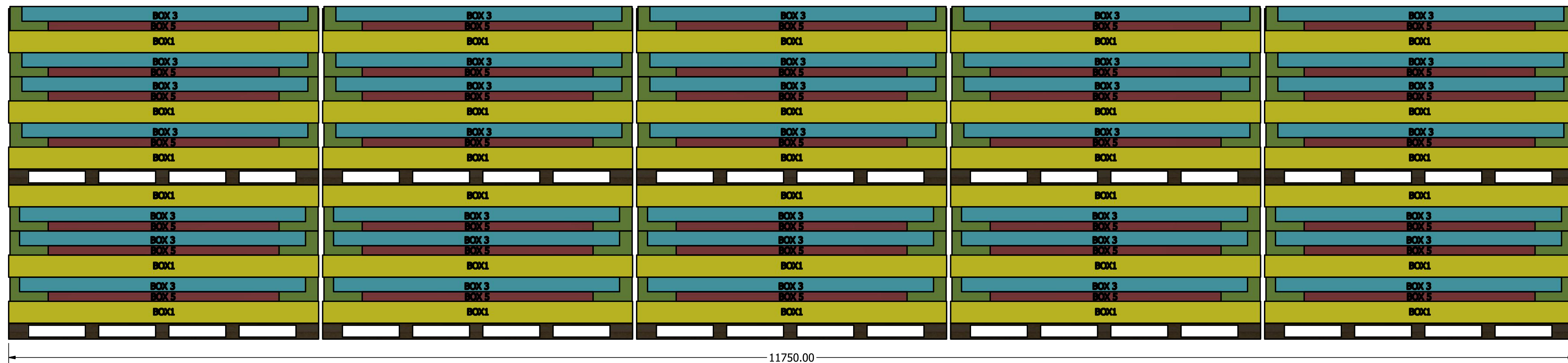
2206069B 10x10 NORWOOD GAZEBO Container Loading Diagram

(1 set=5 boxes 65 sets/40HQ, 20 pallets/ 40HQ, Gross Weight: 20760kg)

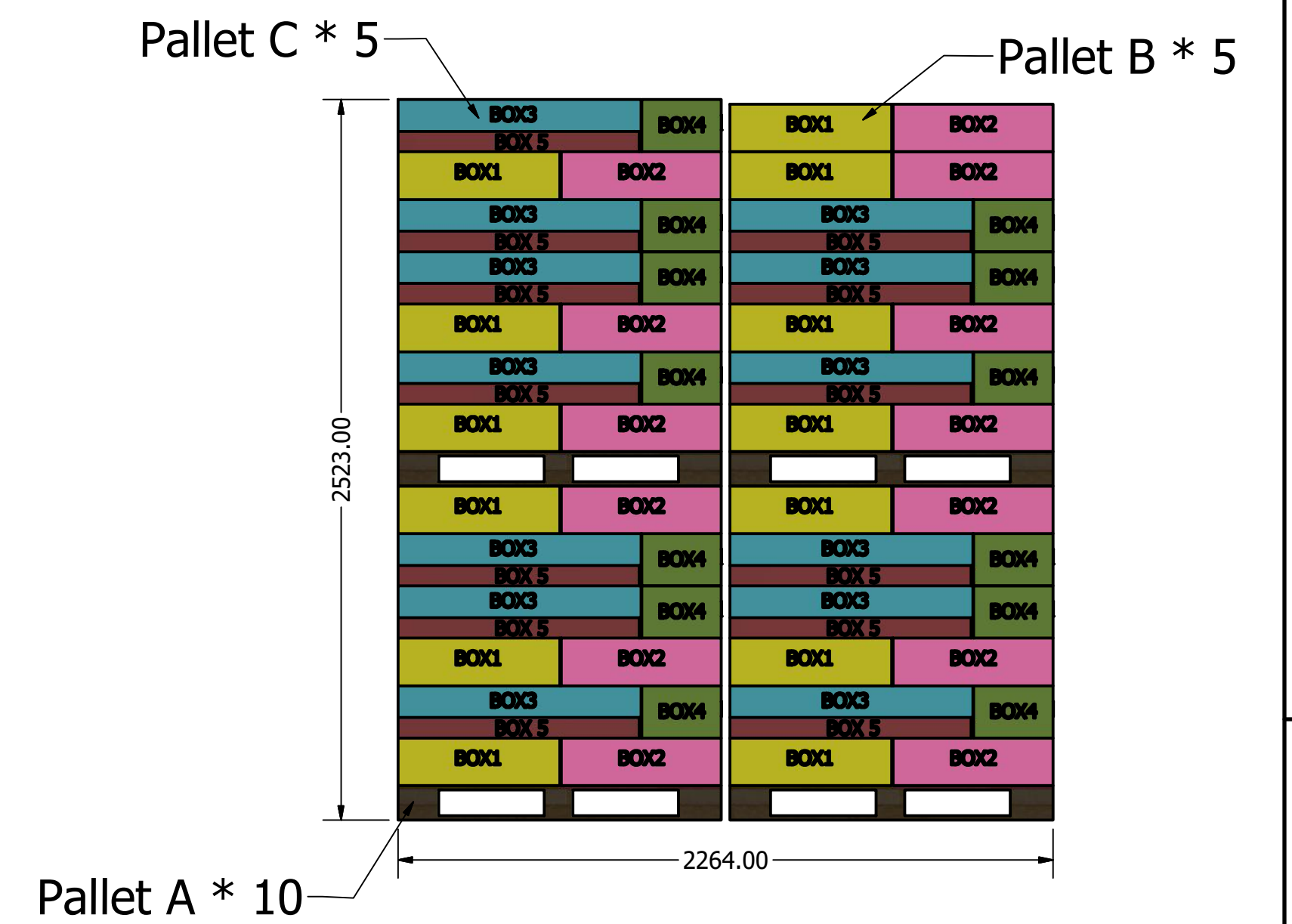
Top view



Side view

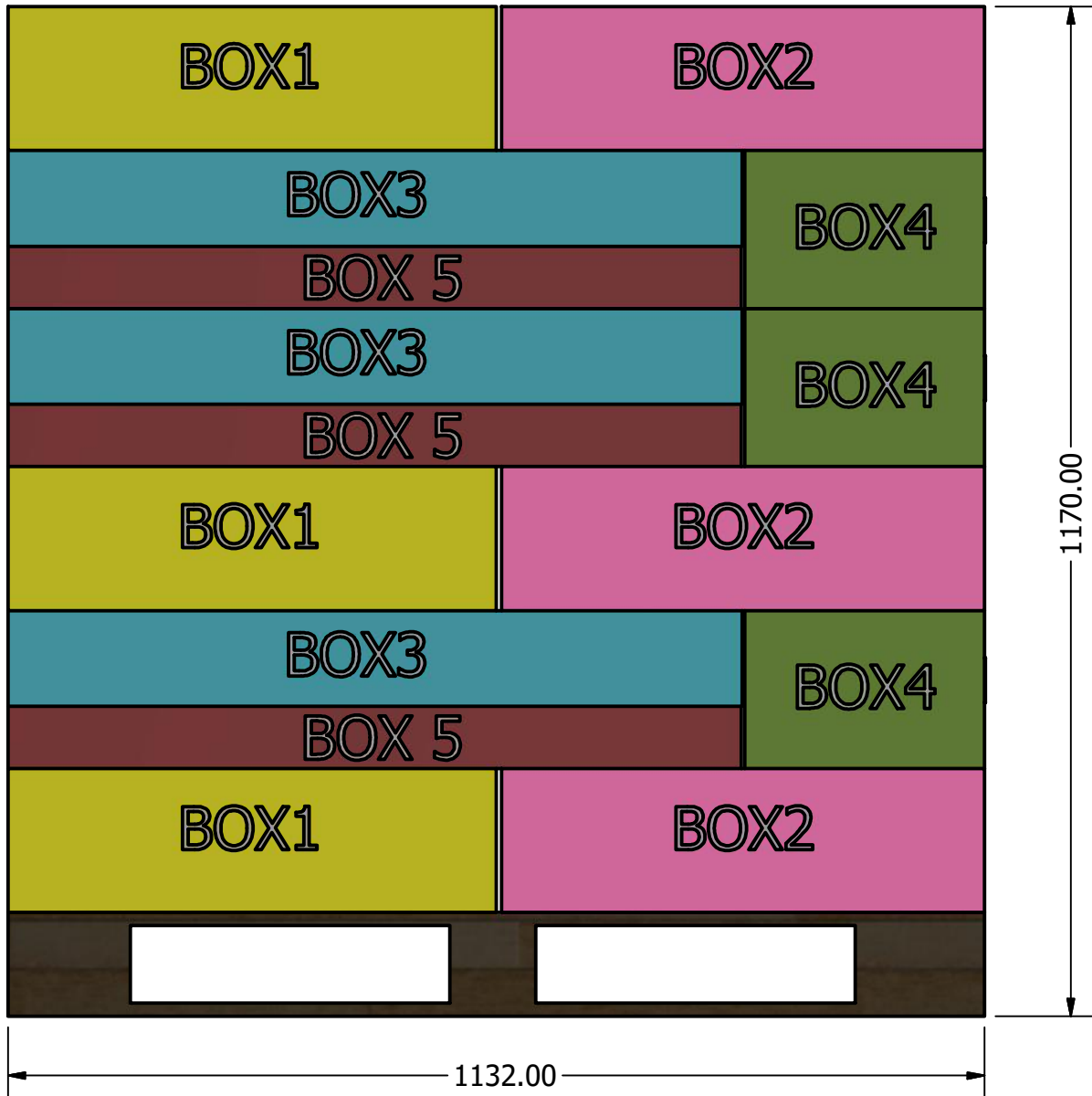
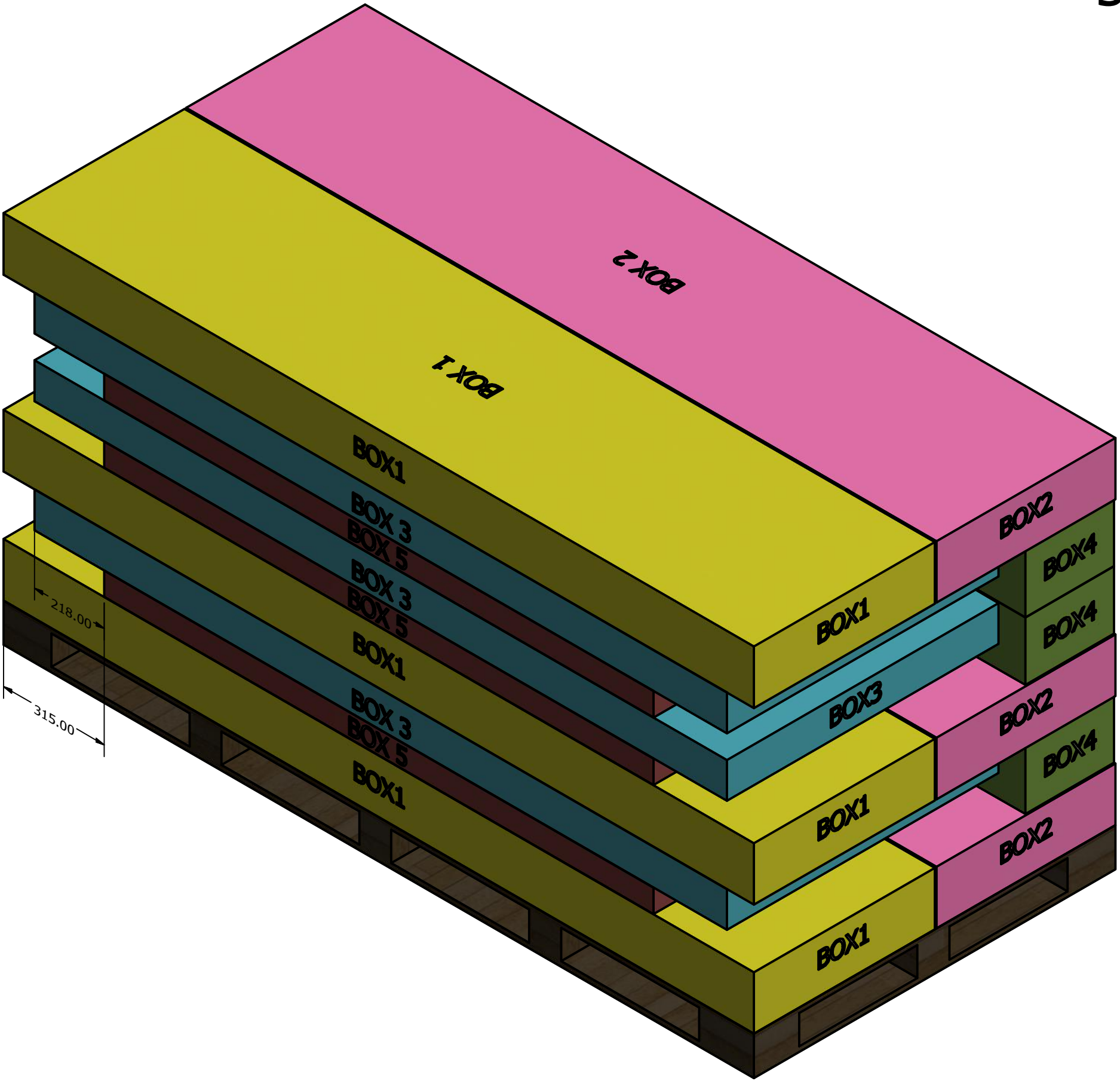
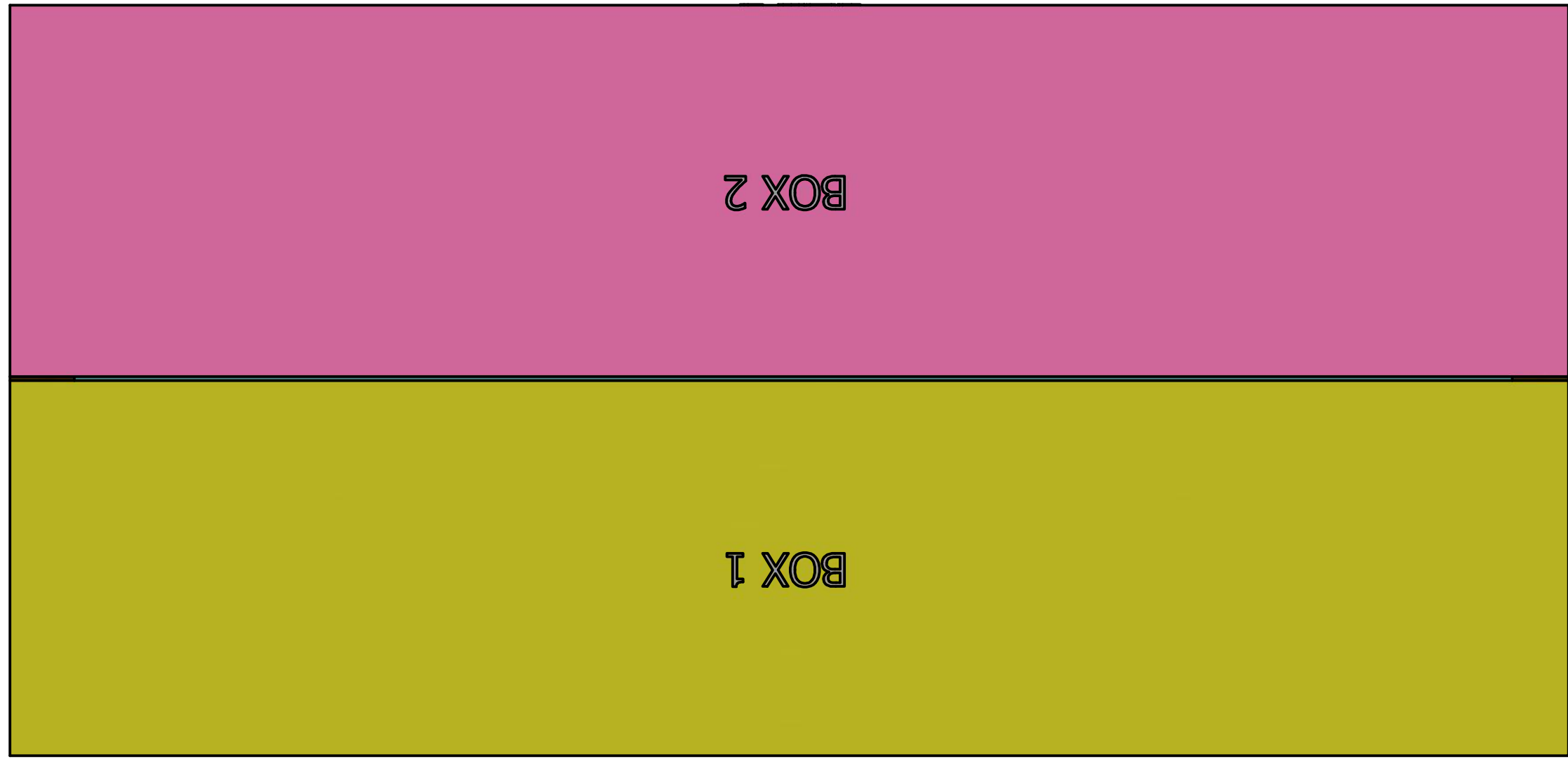


End view



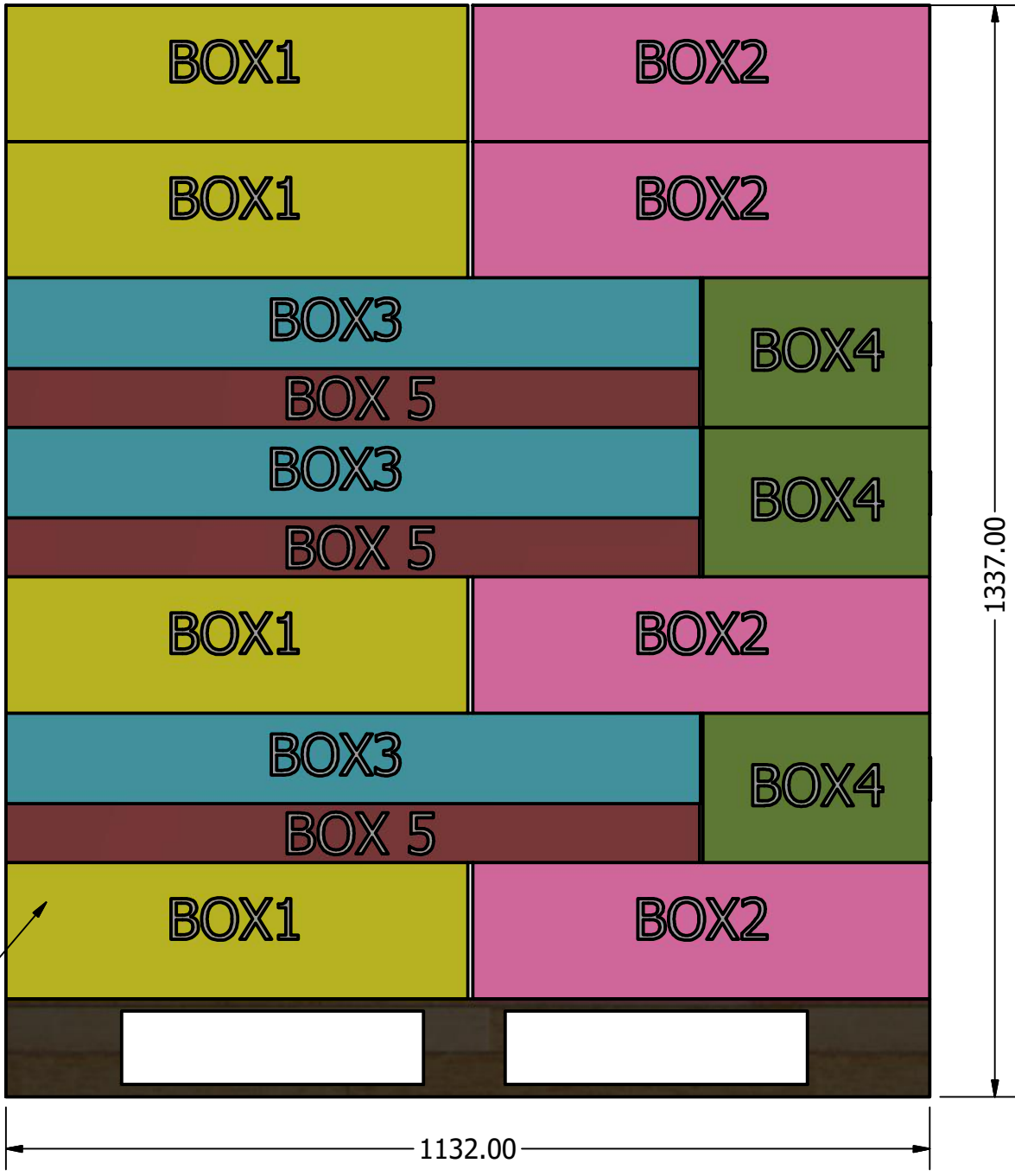
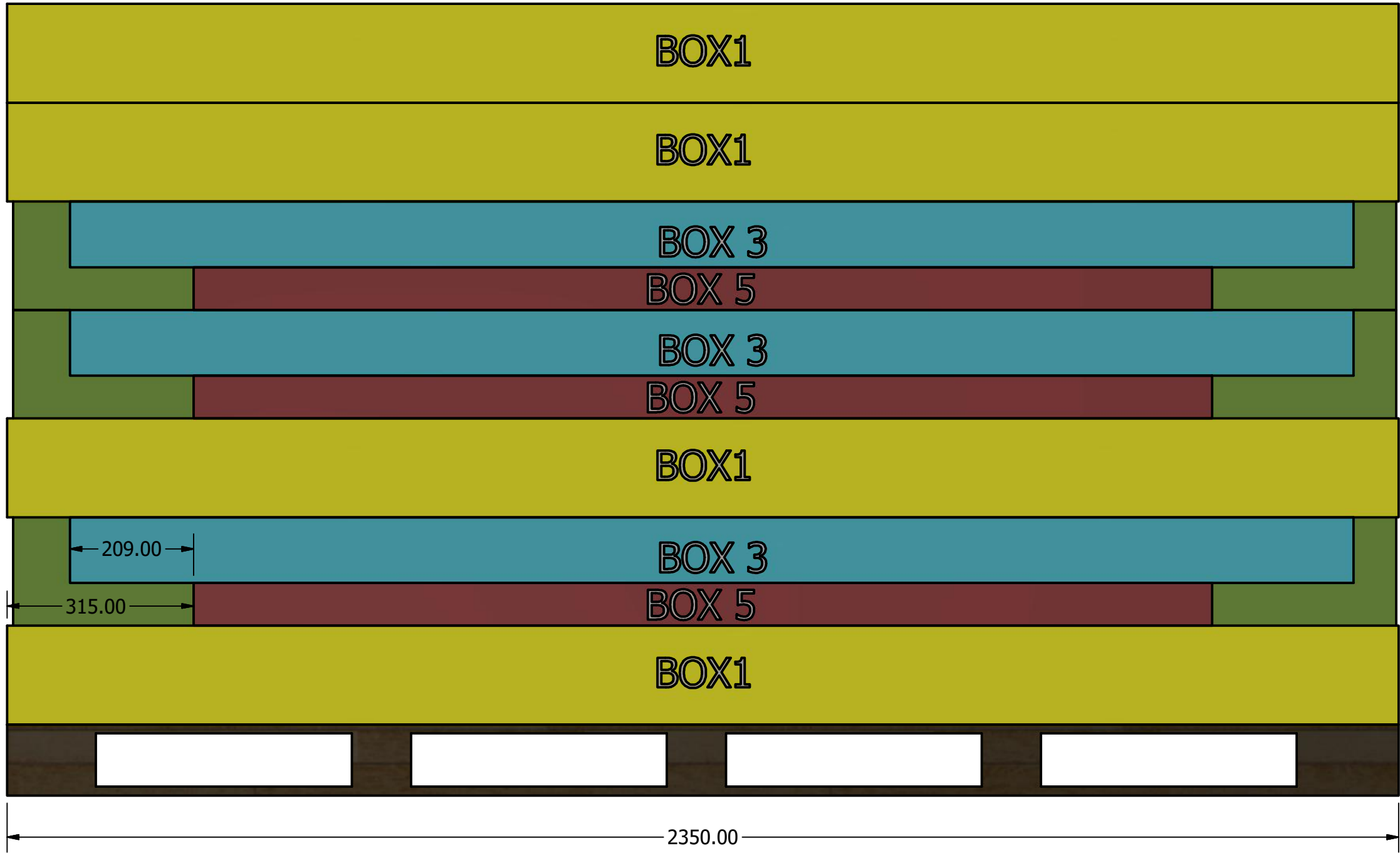
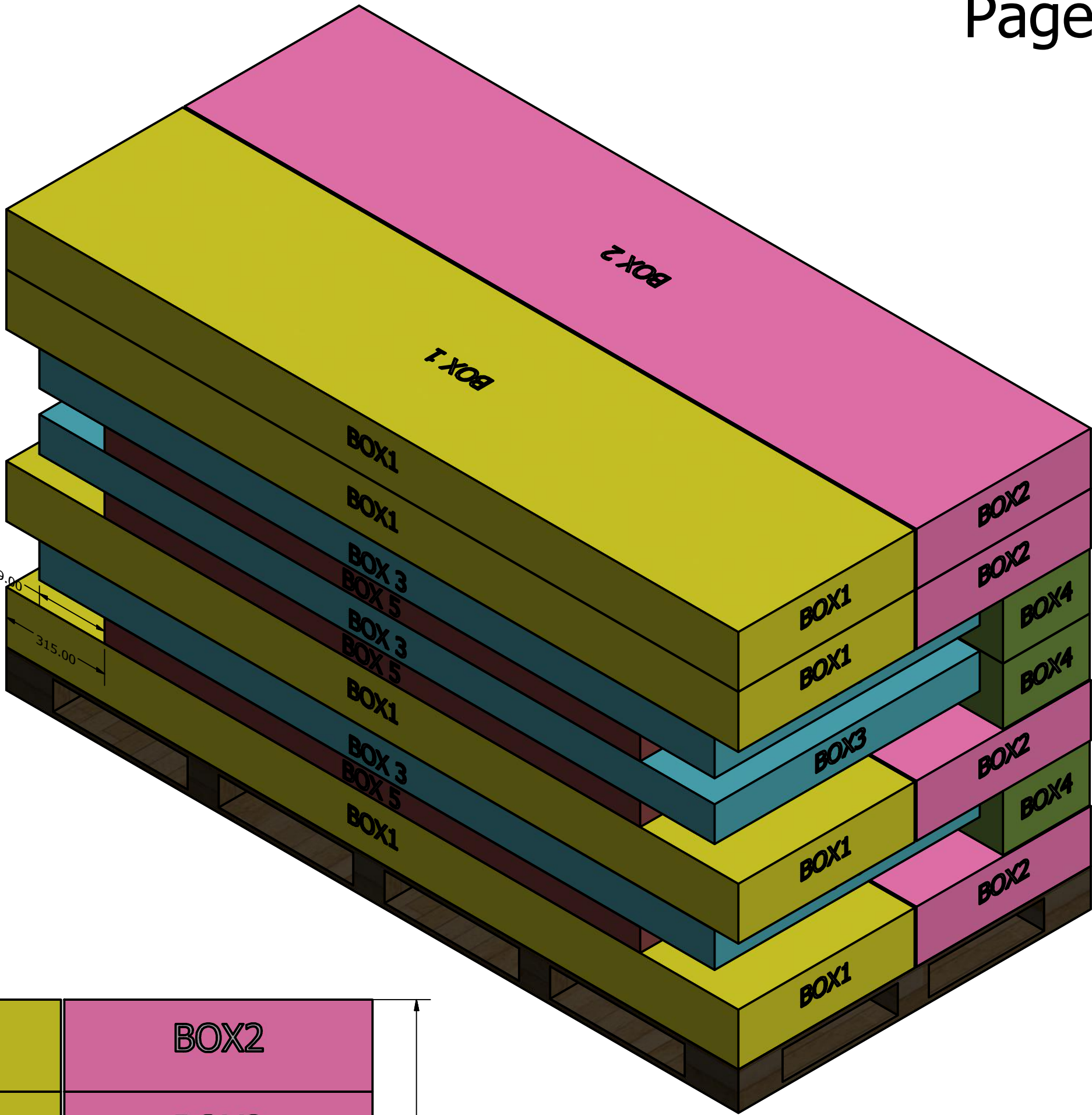
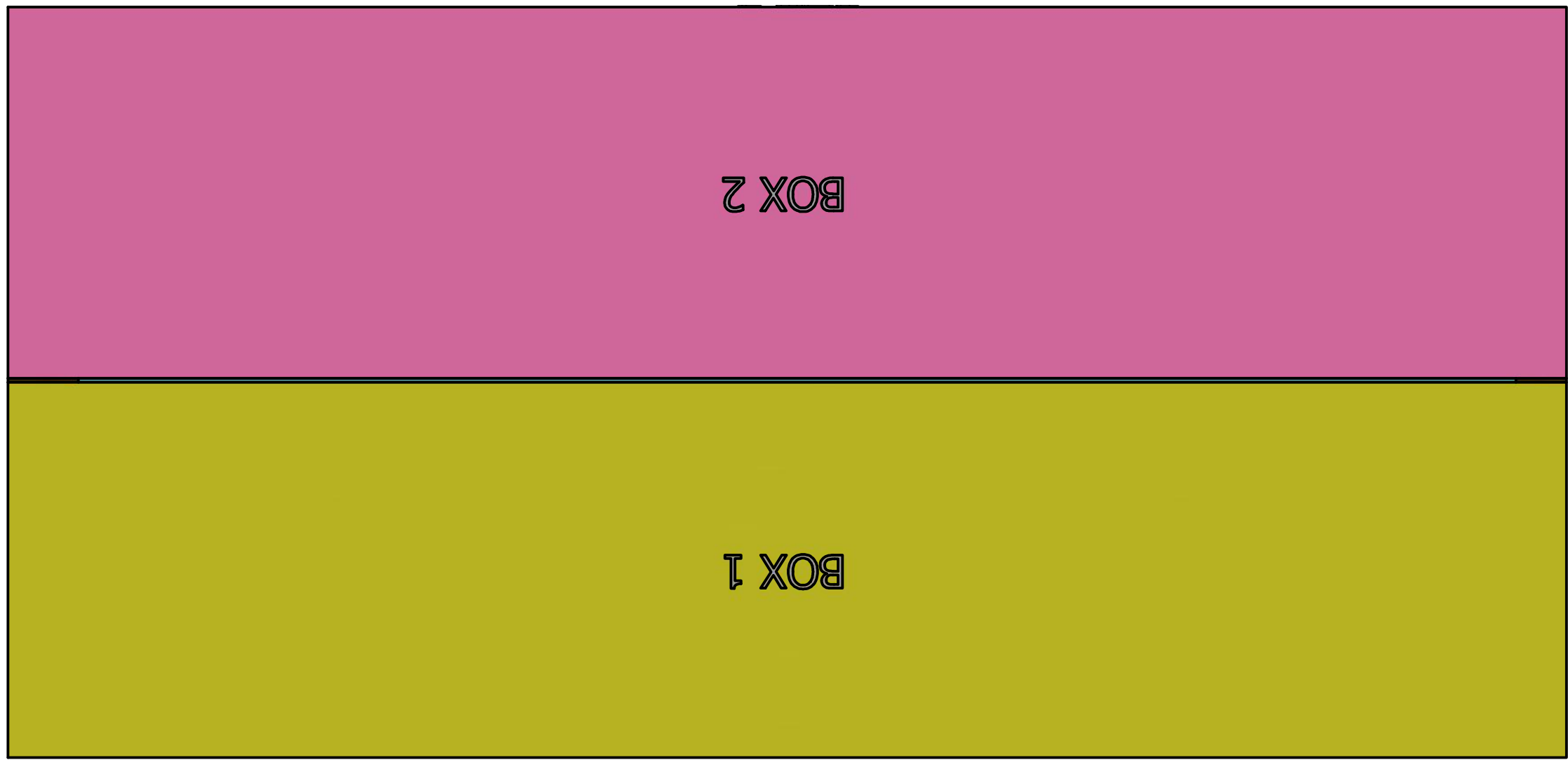
DRAWN Rudy	2019/8/19	TITLE	
CHECKED			
QA			
MFG			
APPROVED			
		SIZE D	DWG NO 2006522
		SCALE 1 / 20	REV SHEET 1 OF 1

Pallet A (3 sets/pallet)



DRAWN Rudy	2019/8/19		
CHECKED		TITLE	
QA			
MFG			
APPROVED			
		SIZE D	DWG NO Pallet A
		SCALE 1 : 10	REV
		SHEET 1 OF 1	

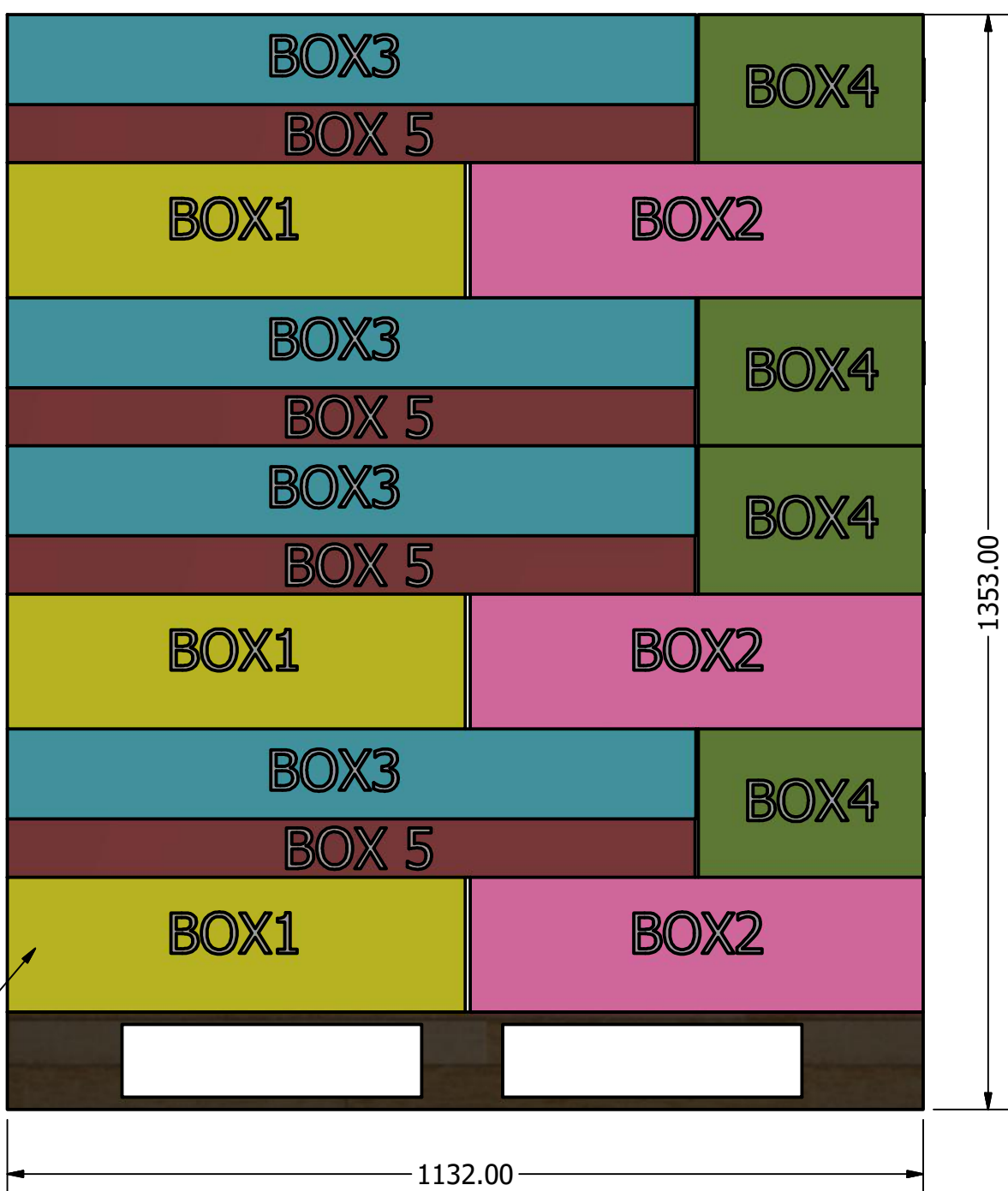
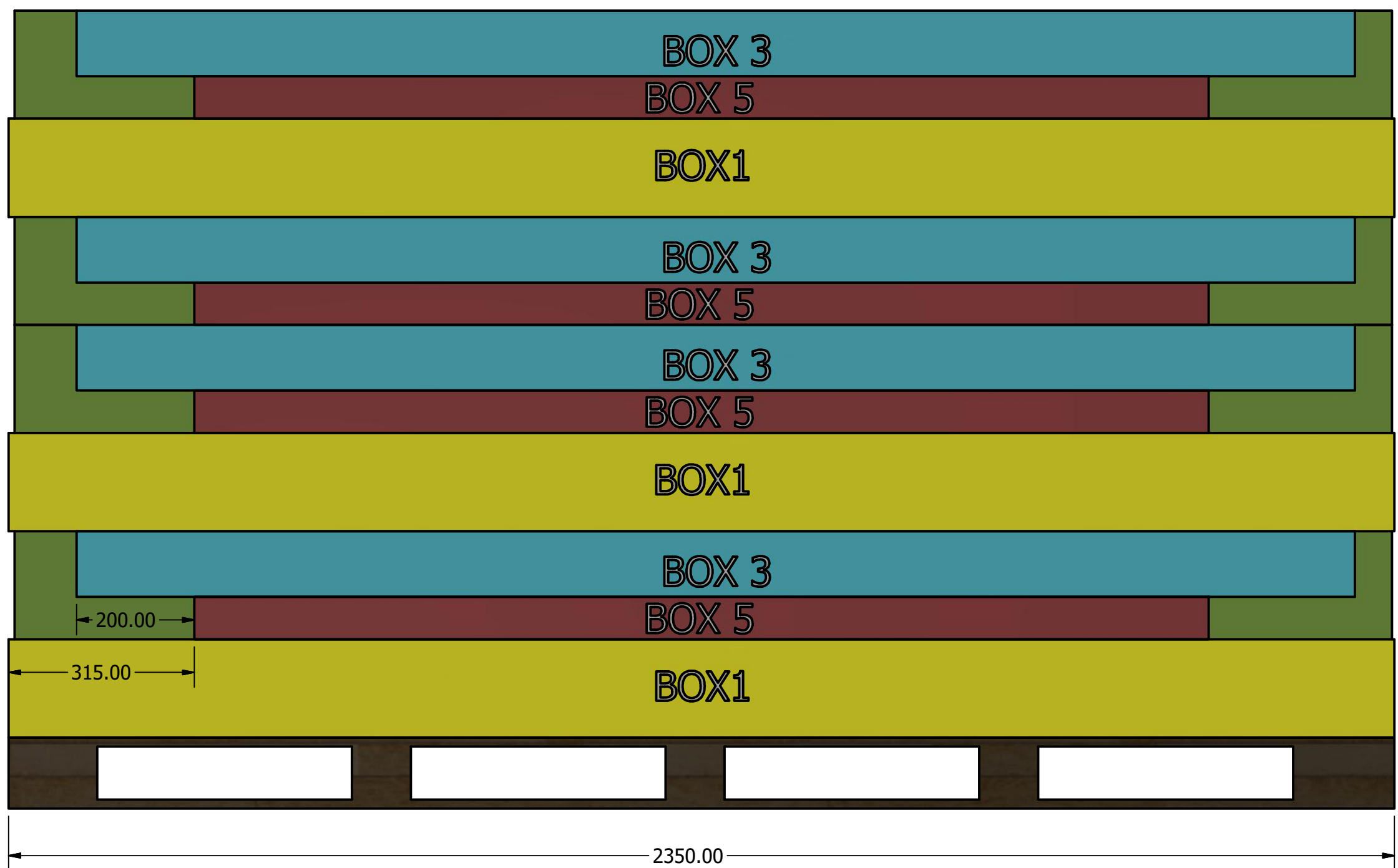
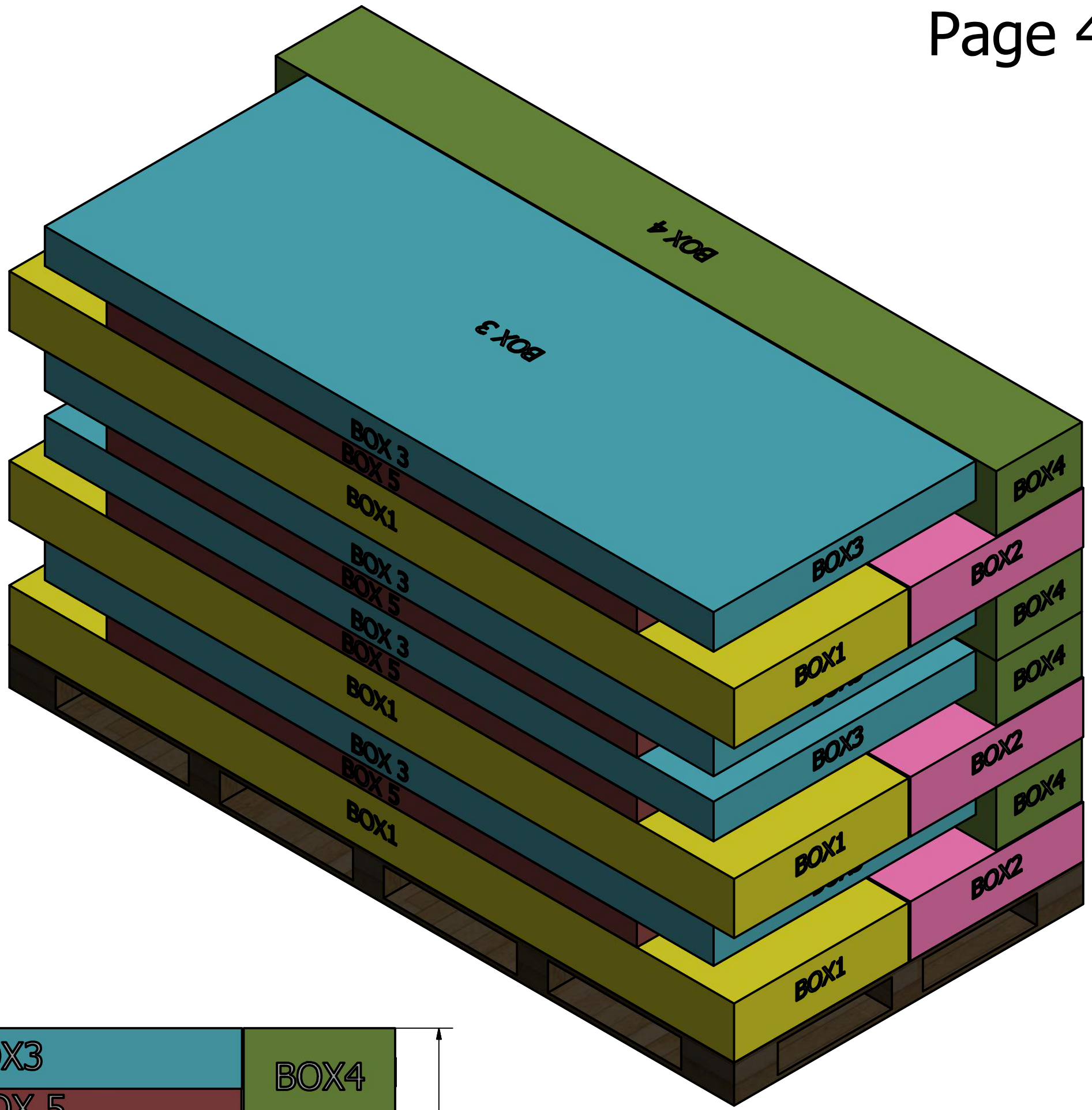
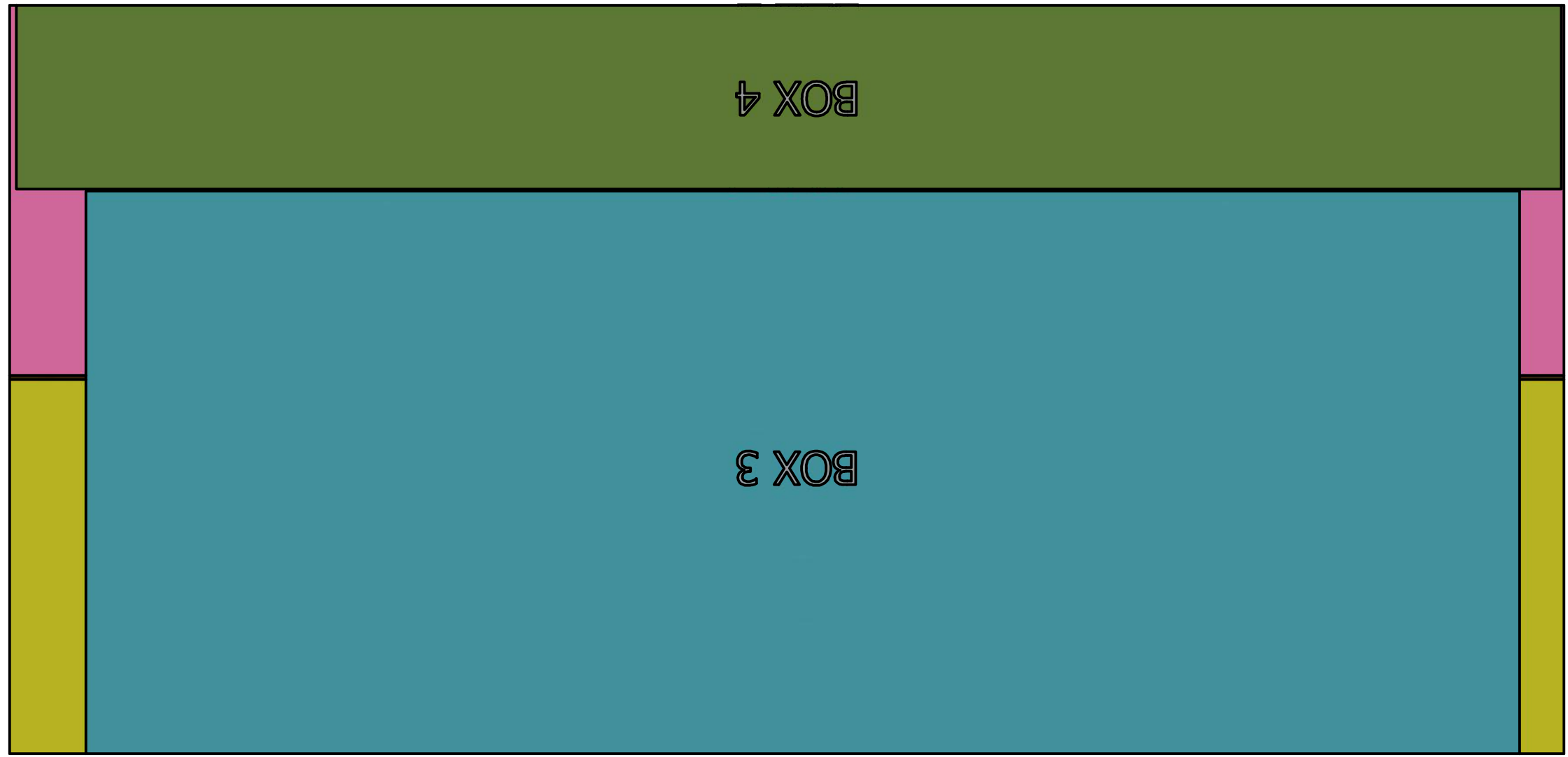
Pallet B (3.5 sets/pallet)



Banded bottom 3 units at first,
and then banded entire pallet of 3.5 units;
叠好底下3套后, 用3根塑钢带进行捆绑;
叠好全部3.5套后, 再用另外2根塑钢带进行捆绑;

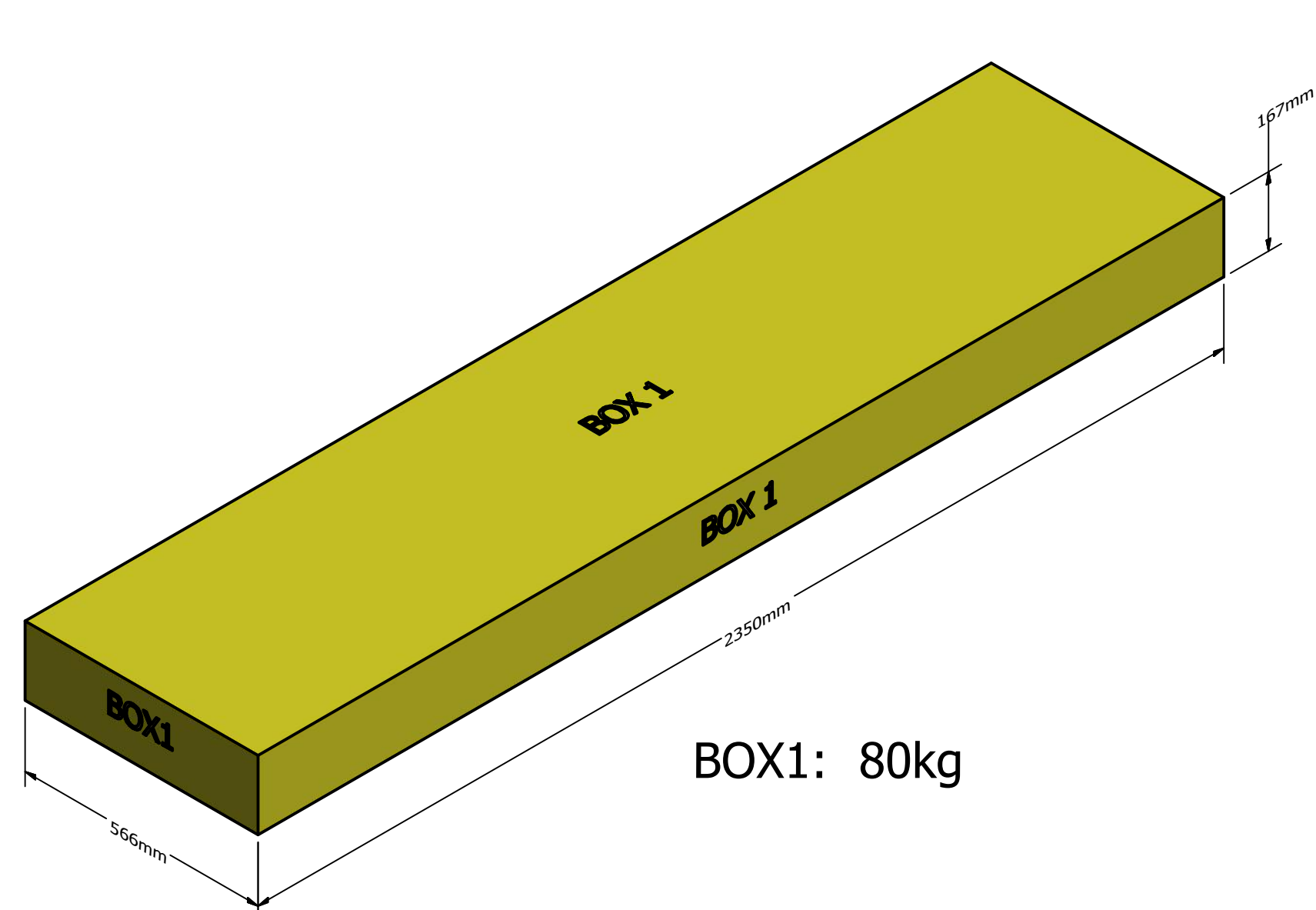
DRAWN Rudy	2019/8/19		
CHECKED		TITLE	
QA			
MFG			
APPROVED			
		SIZE D	DWG NO Pallet A
		SCALE 1: 8	REV
		SHEET 1 OF 1	

Pallet C (3.5 sets/pallet)

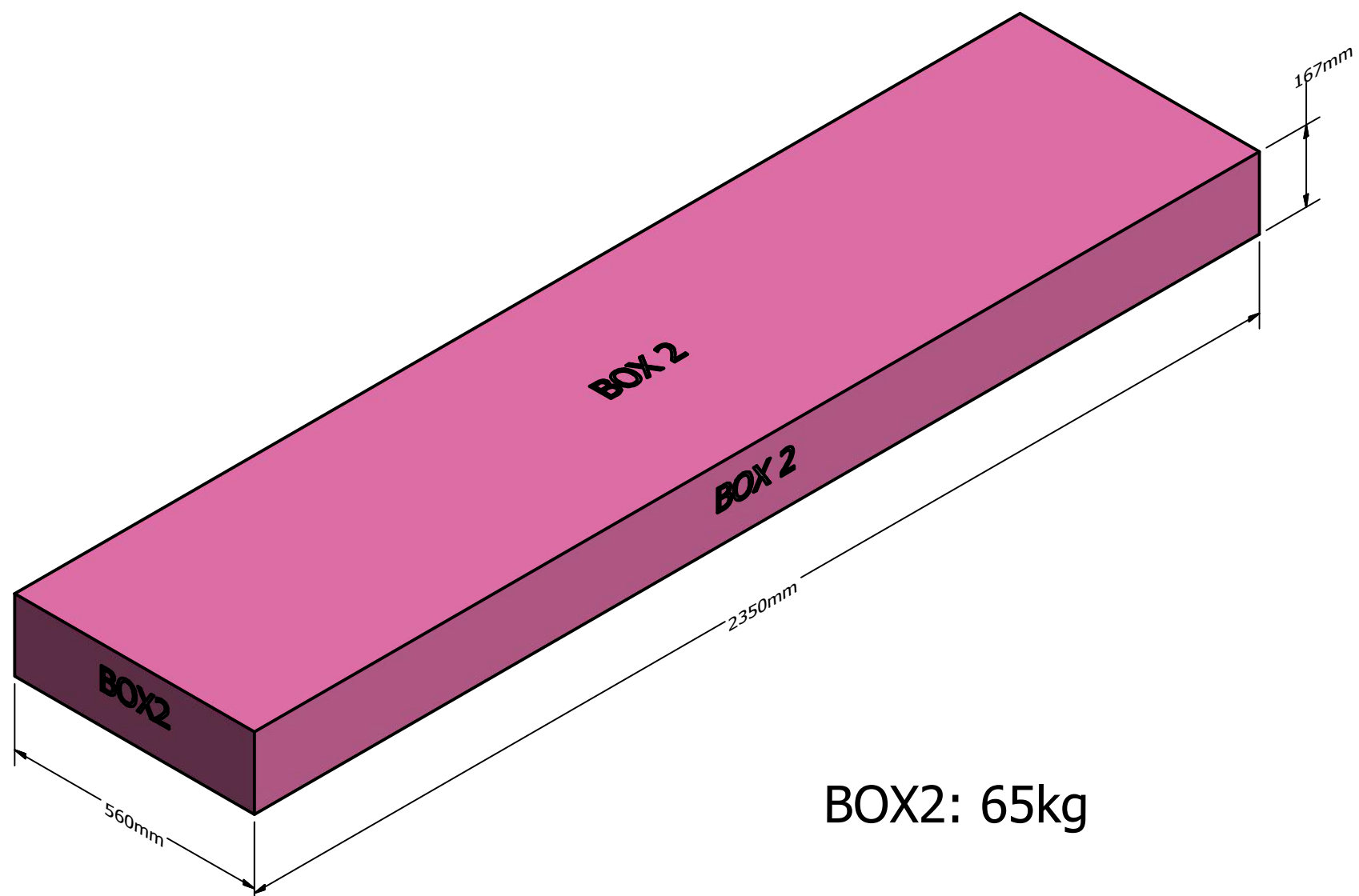


Banded bottom 3 units at first,
and then banded entire pallet of 3.5 units;
叠好底下3套后, 用3根塑钢带进行捆绑;
叠好全部3.5套后, 再用另外2根塑钢带进行捆绑;

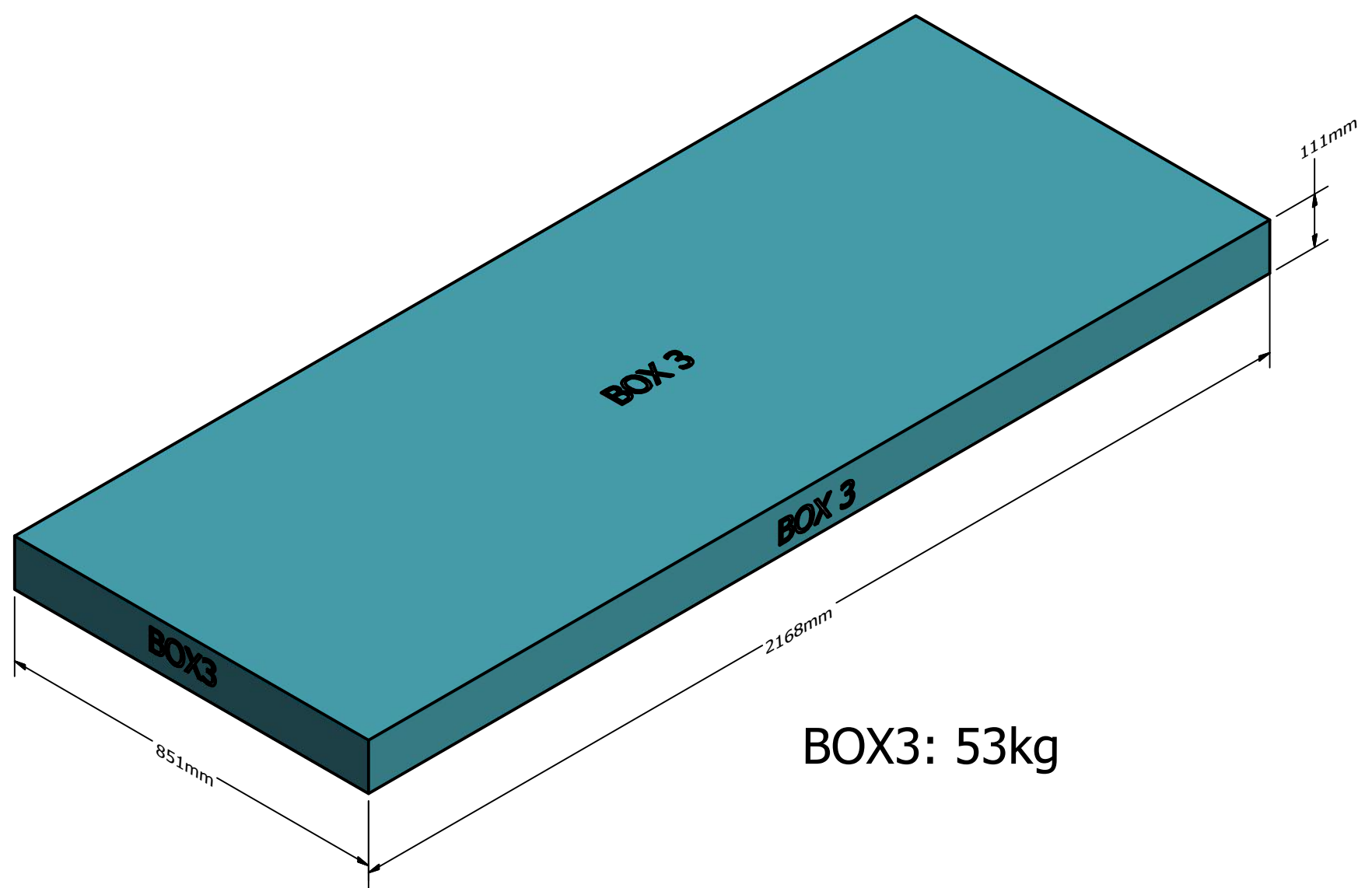
DRAWN Rudy	2019/8/19		
CHECKED		TITLE	
QA			
MFG			
APPROVED			
		SIZE D	DWG NO Pallet A
		SCALE 1 / 8	REV
		SHEET 1 OF 1	



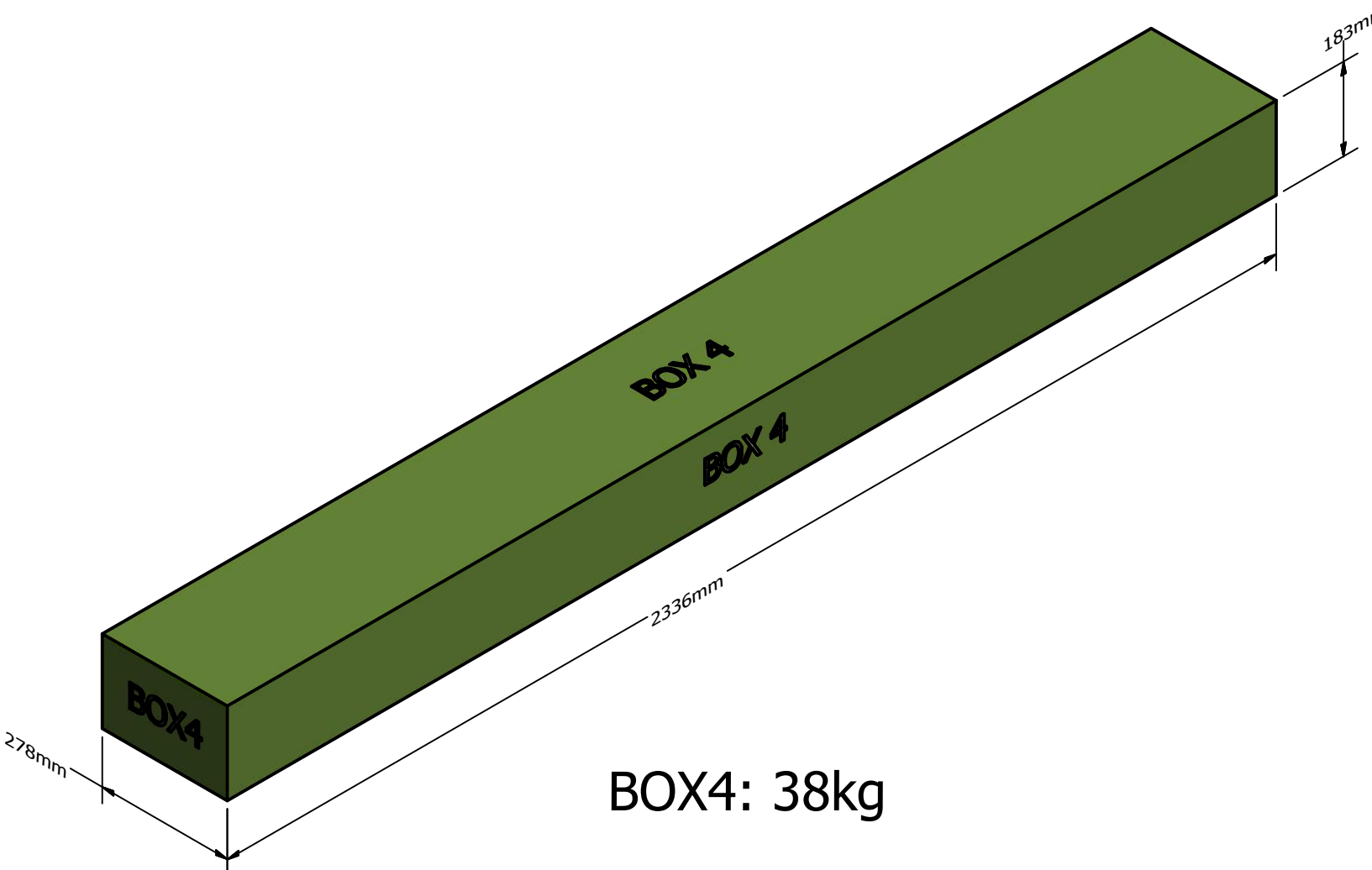
BOX1: 80kg



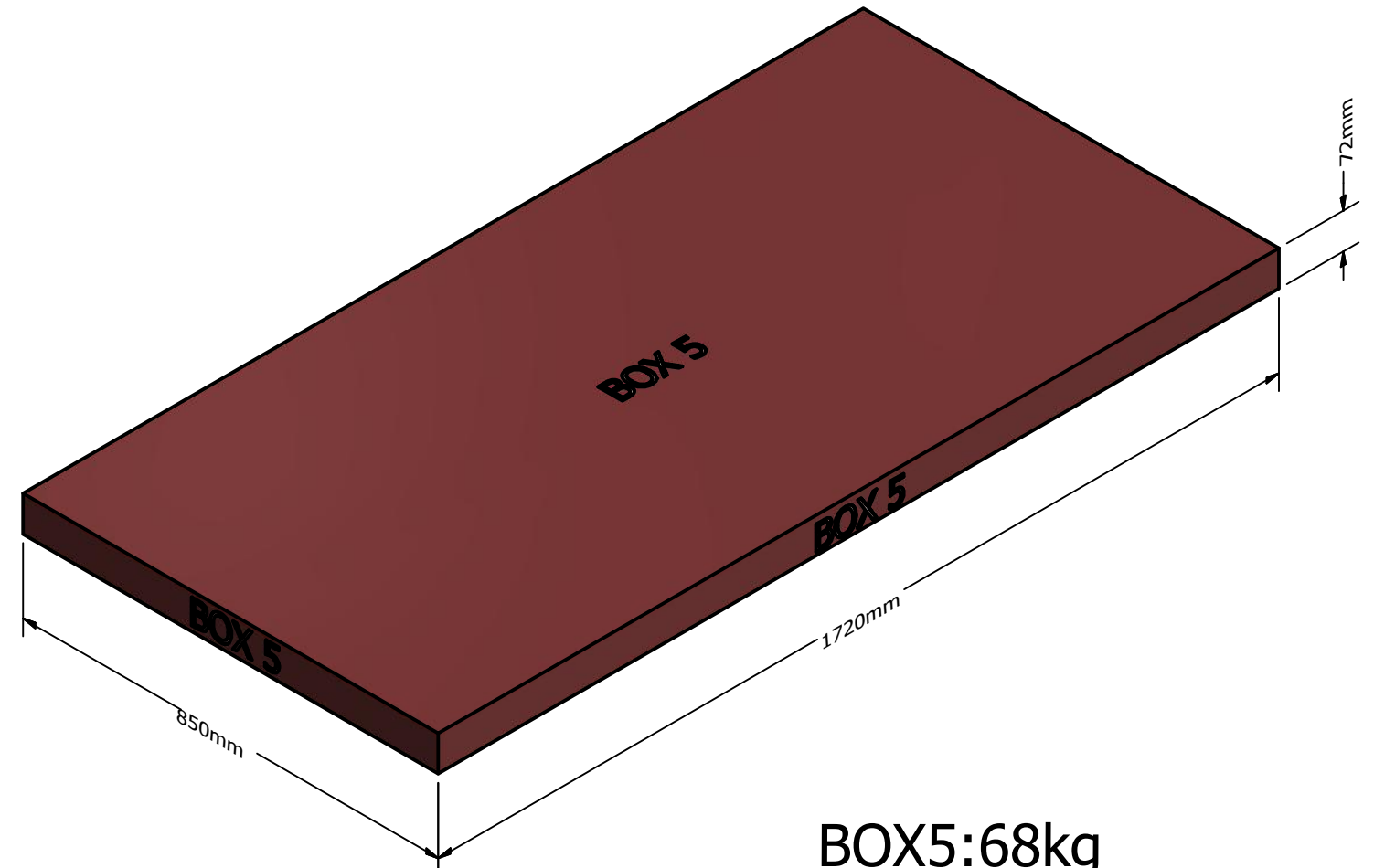
BOX2: 65kg



BOX3: 53kg



BOX4: 38kg



BOX5:68kg

DRAWN Rudy	2019/8/19		
CHECKED		TITLE	
QA			
MFG			
APPROVED			
		SIZE D	DWG NO Pallet A (详细)
		SCALE 1 / 10	REV SHEET 1 OF 1