



# Empress Bouquet™ Conical Bell®

16-1/4" round vessel bathroom sink, no overflow  
K-14223-SMC

## Features

- Decorated with a Chinese-inspired metallic floral pattern on White background
- Round bowl-like basin
- No faucet holes; requires wall- or counter-mount faucet
- Coordinates with other products with the Empress Bouquet design

## Material

- Vitreous china

## Installation

- Vessel



ADA

CSA B651

## Codes/Standards

ASME A112.19.2/CSA B45.1

ADA

ICC/ANSI A117.1

CSA B651

## KOHLER® Vitreous China Bathroom Sink Lifetime Limited Warranty

See website for detailed warranty information.

## Available Colors/Finishes

*Color tiles intended for reference only.*

Color	Code	Description
-------	------	-------------



0

White

1-800-4KOHLER (1-800-456-4537)

Kohler Co. reserves the right to make revisions without notice to product specifications.

For the most current Specification Sheet, go to [www.kohler.com](http://www.kohler.com) USA or [www.kohler.ca](http://www.kohler.ca) Canada

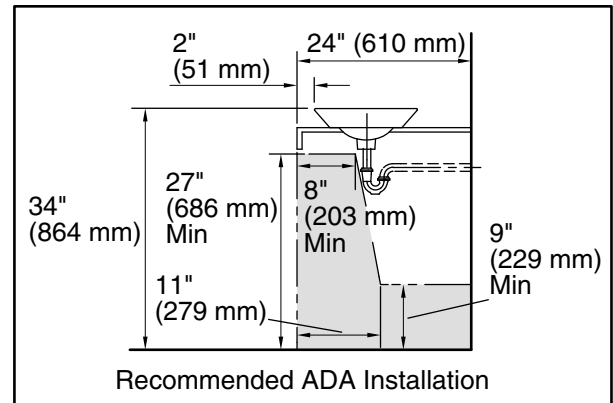
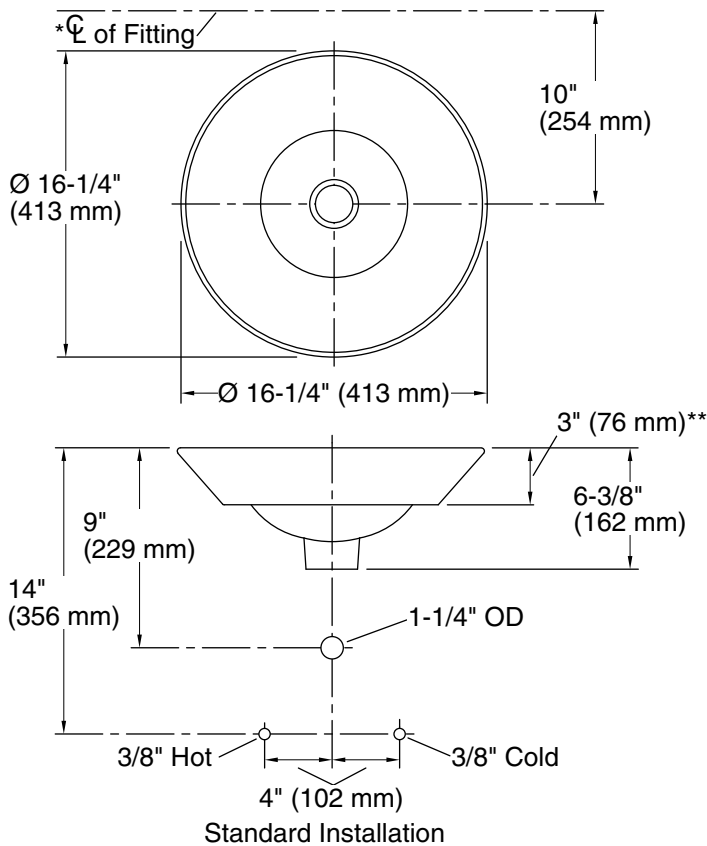
2-25-2025 21:53 - US/CA

THE BOLD LOOK  
OF **KOHLER**®



# Empress Bouquet™ Conical Bell®

16-1/4" round vessel bathroom sink, no overflow  
K-14223-SMC



## Technical Information

All product dimensions are nominal.

- Basin configuration: Single Bowl
- Bowl area (Only): Length: 15-5/16" (389 mm)  
Width: 15-5/16" (389 mm)  
Bowl depth: 4-3/8" (111 mm)  
Water depth: 4-1/4" (108 mm)
- With overflow: No
- Drain hole: 1-3/4" (44 mm)
- Template: 1002980-7, required, included

## Notes

Install this product according to the installation instructions.

\*Spout must be 5" (127 mm) long (min) for adequate clearance into the bathroom sink when installed with centerline as shown.

NOTICE: Countertop manufacturer or cutter must use the cut-out template provided with the product, or a current one provided by Kohler Co. (call 1-800-4-KOHLER). Kohler Co. is not responsible for cut-out errors when the incorrect cut-out template is used.

ADA, CSA B651 compliant when installed to the specific requirements of these regulations.