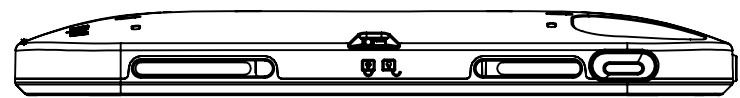


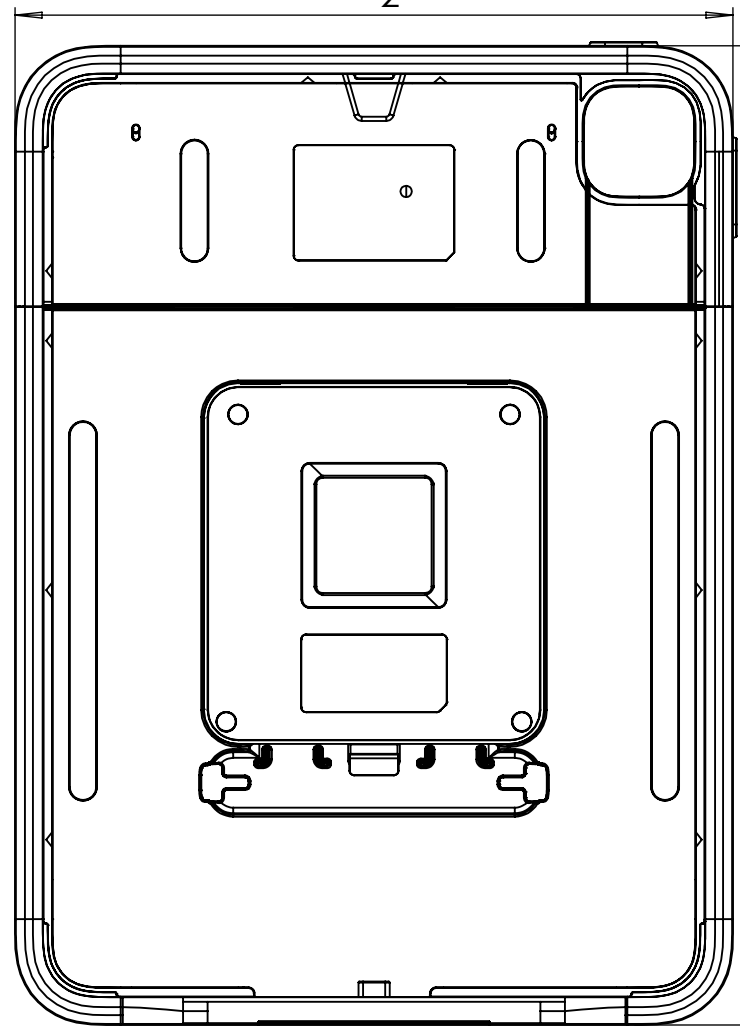
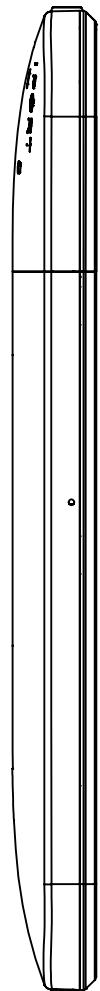
8 7 6 5 4 3 2 1

D
C
B
A

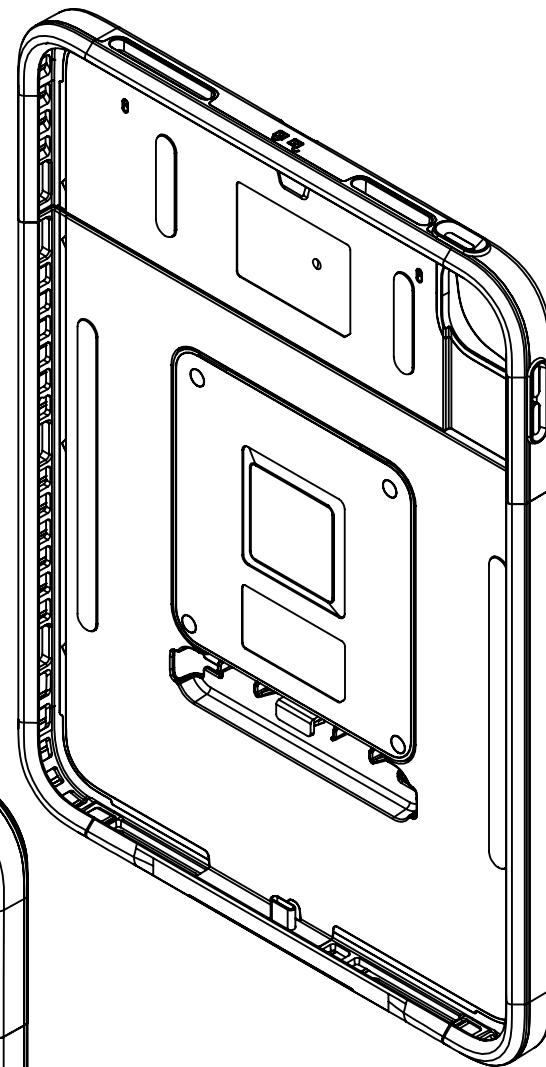
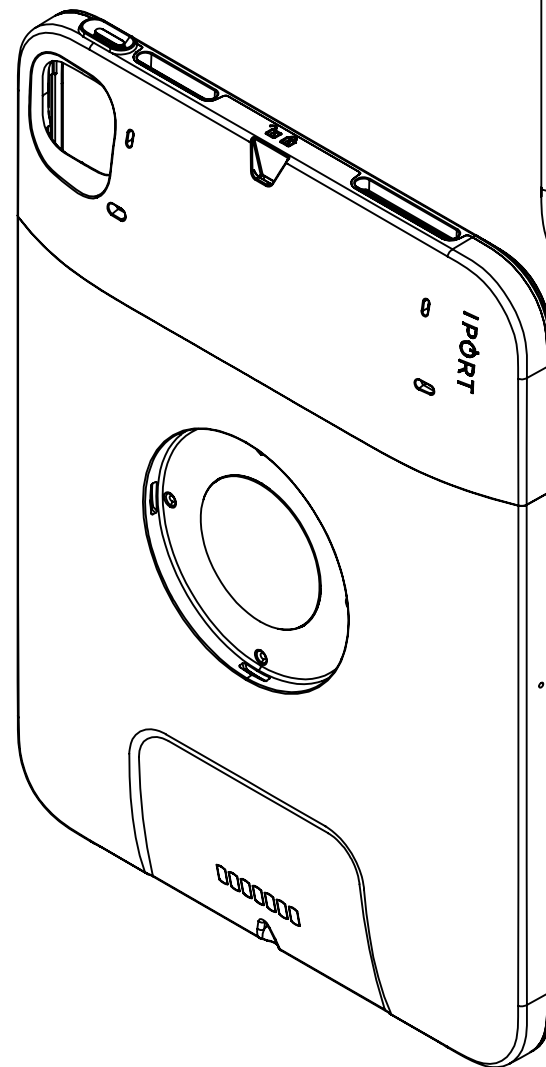
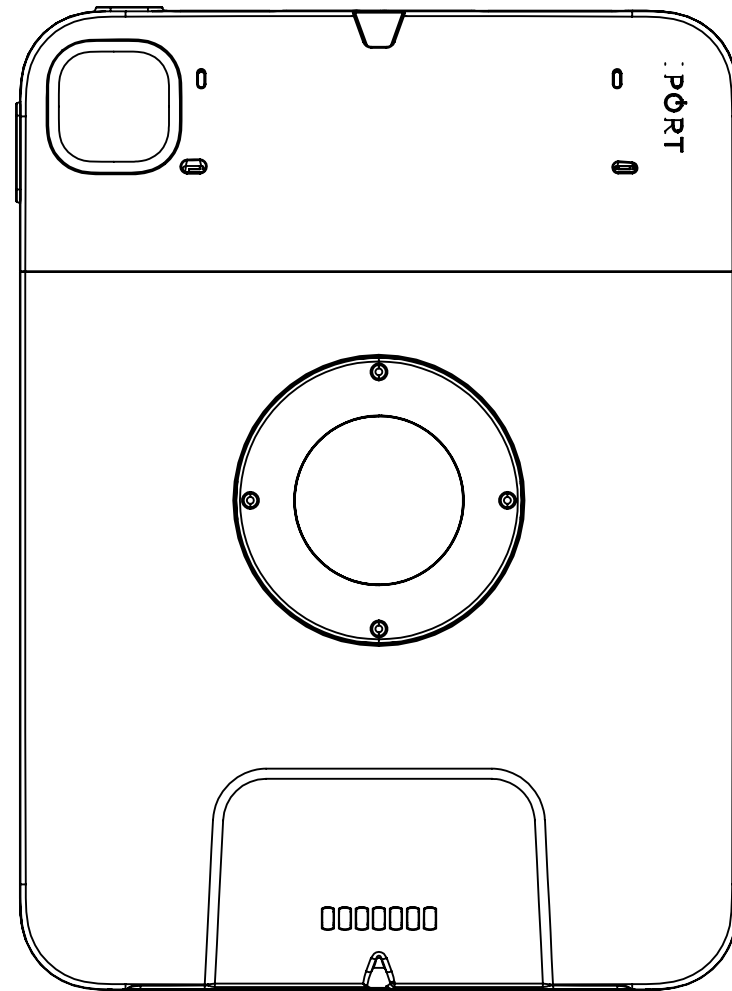
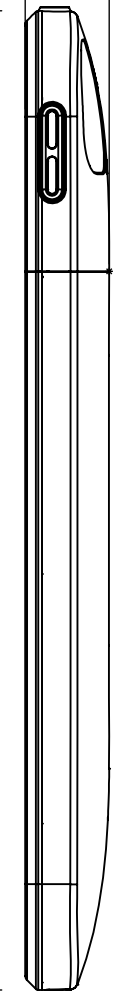


[189.97]
7 1/2"

[22.20]
7/8"



[259.09]
10 3/16"



D
C
B
A

8 7 6 5 4 3 2 1



TITLE: **72449 CONNECT CASE 10 GEN V2**

SIZE	DWG. NO.	REV
B		A

SCALE: 1:2	WT:	SHEET 1 OF 1
------------	-----	--------------