

Adair® | K-3946-RA

One-piece elongated toilet, 1.28 gpf

Features

- One-piece toilets integrate the tank and bowl into a seamless, easy-to-clean design
- Elongated bowl offers added room and comfort
- 1.28 gpf (4.8 lpf)
- Comfort Height® feature offers chair-height seating that makes sitting down and standing up easier for most adults
- 2-1/8" (54 mm) fully glazed trapway
- Right-hand Polished Chrome trip lever
- Cachet® Quiet-Close™ seat closes quietly and quickly unlatches from the toilet for easy removal and convenient cleaning
- Easy-to-flush canister design requires less force to actuate than a 3" (76 mm) flapper, and has 90% less exposed seal material which resists conditions that cause wear, tear, shrinkage and swelling
- Eligible for consumer rebates in some municipalities
- Quiet-Close™ elongated lid and seat prevents slamming
- AquaPiston® canister optimizes the flow out of the tank, harnessing gravity and the natural, powerful reducing cascade of water to increase the power and effectiveness of the flush



Sustainability



Available Colors/Finishes

Color tiles intended for reference only.

- 0 White
- 96 Biscuit



1-800-4KOHLER (1-800-456-4537)

Kohler Co. reserves the right to make revisions without notice to product specifications.
For the most current specification sheet, go to www.kohler.com USA or www.kohler.ca Canada.
4-30-2026 0:2 - US-CA

Codes/Standards

ADA, OBC, CSA B651 compliant when installed to the specific requirements of these regulations.
Accessibility standards may require controls to be located on the open side of the toilet.
Plumbing codes may require elongated toilets and elongated, open-front seats in public bathrooms.



ASME A112.19.2/CSA B45.1
DOE - Energy Policy Act 1992
EPA WaterSense®
California Energy Commission (CEC)
ADA
ICC/ANSI A117.1
CSA B651
OBC

Warranty

See website for detailed warranty information.

KOHLER® Toilets and Seats Limited Warranty

Technical Information

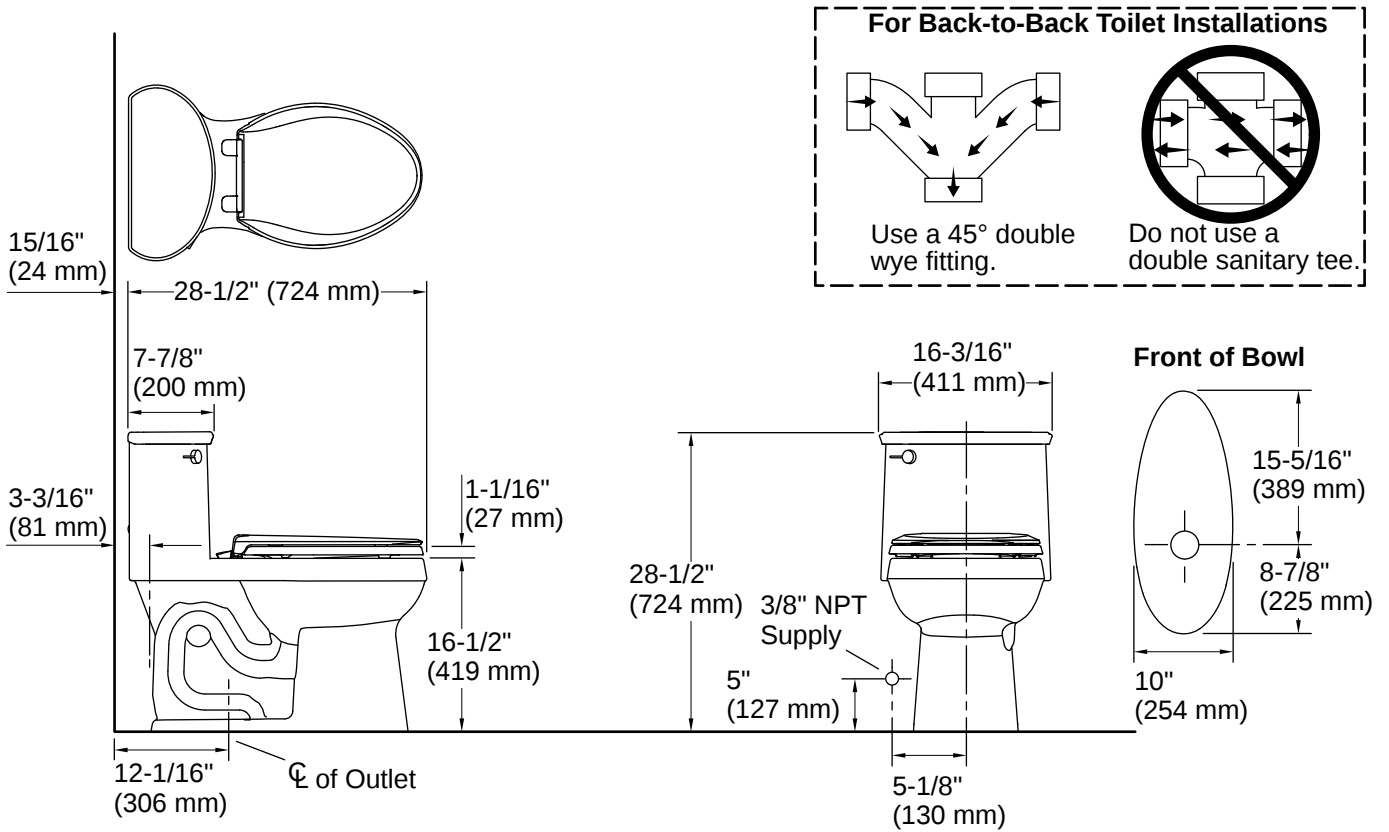
Rough-in:	Standard 12" (305mm)
Flush Type:	AquaPiston
Flush Rate:	1.28 gpf (4.8 lpf)
Bowl Shape:	Elongated
Seat-Mounting Holes:	5-1/2" (140 mm)
Waste Outlet:	Floor
Trapway Size:	2-1/8" (54 mm)
Trapway Type:	Exposed
Water Surface Size:	11" x 7-3/4" (279 mm x 197 mm)
Rim to Water Surface:	6-1/16" (154 mm)

Recommended Products/Accessories

1023457 Toilet Wax Ring And Hardware Kit
1265114 12" Toilet Supply Line
K-23726 Drain treatment
K-9466-R Right-hand trip lever
K-5420 Low-profile toilet bolt caps
K-8298 Elongated bidet toilet seat



1-800-4KOHLER (1-800-456-4537)
Kohler Co. reserves the right to make revisions without notice to product specifications.
For the most current specification sheet, go to www.kohler.com USA or www.kohler.ca Canada.
4-30-2026 0:2 - US-CA



Installation

- Standard 12" (305 mm) rough-in
- Supply line sold separately

Installation Notes

Install this product according to the installation instructions.

Product dimensions are nominal and may vary per ASME A112.19.2 tolerances.

ADA, OBC, CSA B651 compliant when installed to the specific requirements of these regulations.

Plumbing codes may require elongated toilets and elongated, open-front seats in public bathrooms.

Accessibility standards may require controls to be located on the open side of the toilet.

