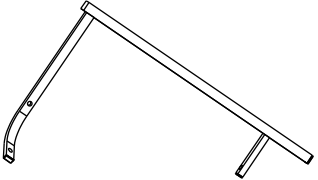

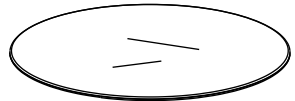
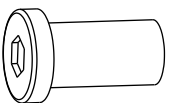
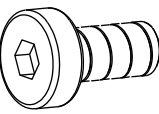
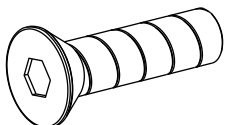

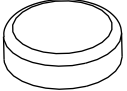
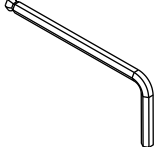
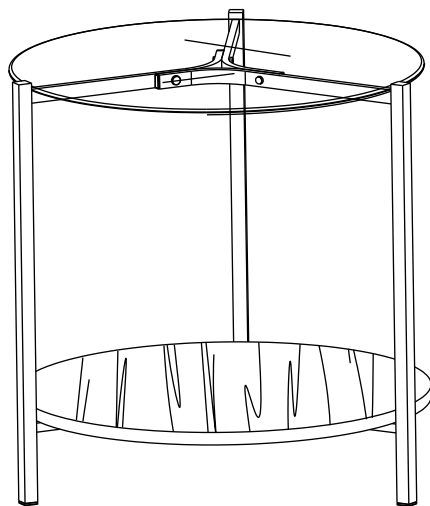


ASSEMBLY INSTRUCTION

END TABLE WITH GLASS TOP

A Leg  3pcs	B Wood Shelf  1pc	C Glass Top  1pc
D Shaft Sleeves 1/4" x 1/2"  3pcs	E Bolt 1/4" x 1/2"  3pcs	F Bolt 1/4" x 1"  3pcs
G Glass Pad 10mm  3pcs	H Bolt Cover 1/4"  6pcs	I Allen Wrench 1/4"  1pc

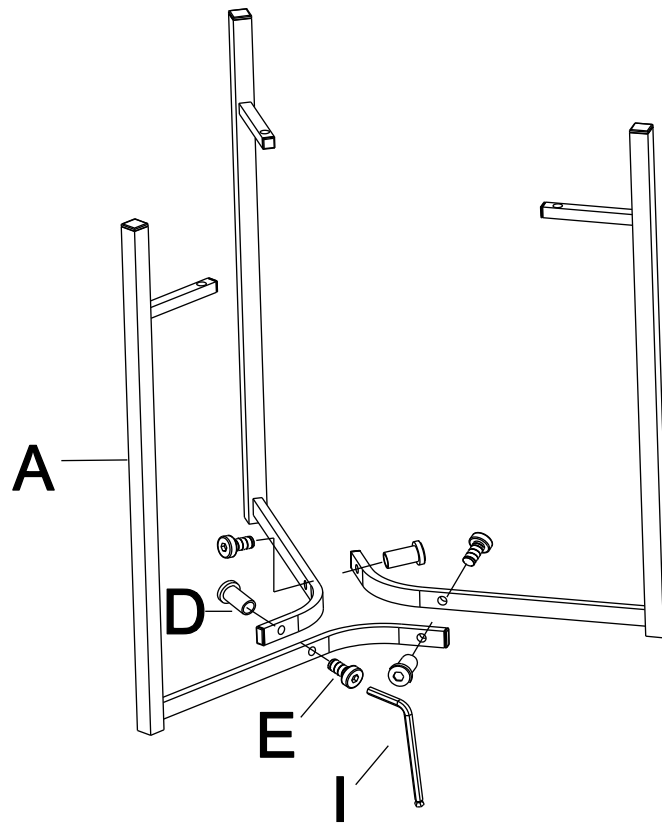


This page lists all the contents included in the box. Please take the time to identify the hardware as well as the individual components to this product. As you unpack and prepare for assembly, place the contents on a carpeted or padded area to protect them from damage.

***** Do not tighten screws & bolts until the entire unit is completely assembled.**

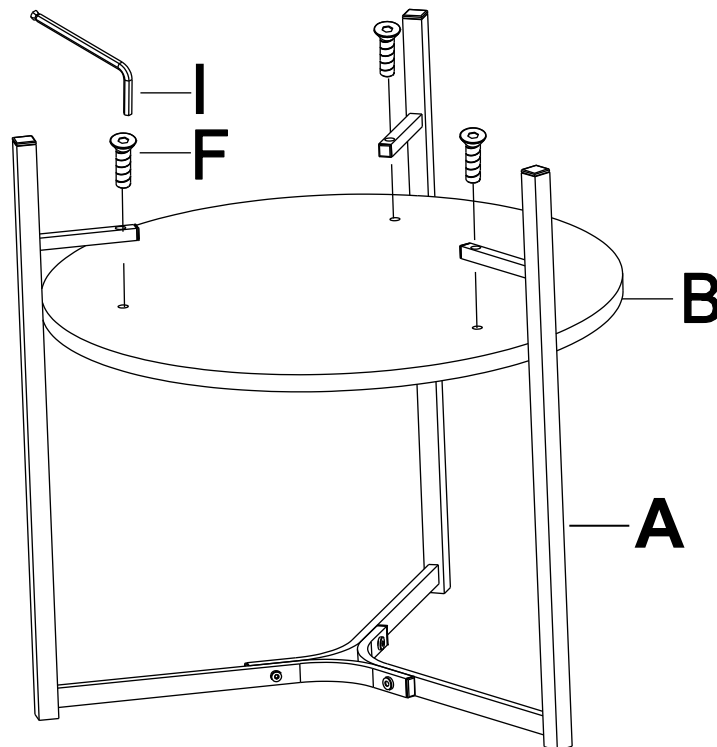
1

Attach Legs (A) together by Bolt (E), Shaft Sleeves (D) and Allen Wrench (I) as shown.

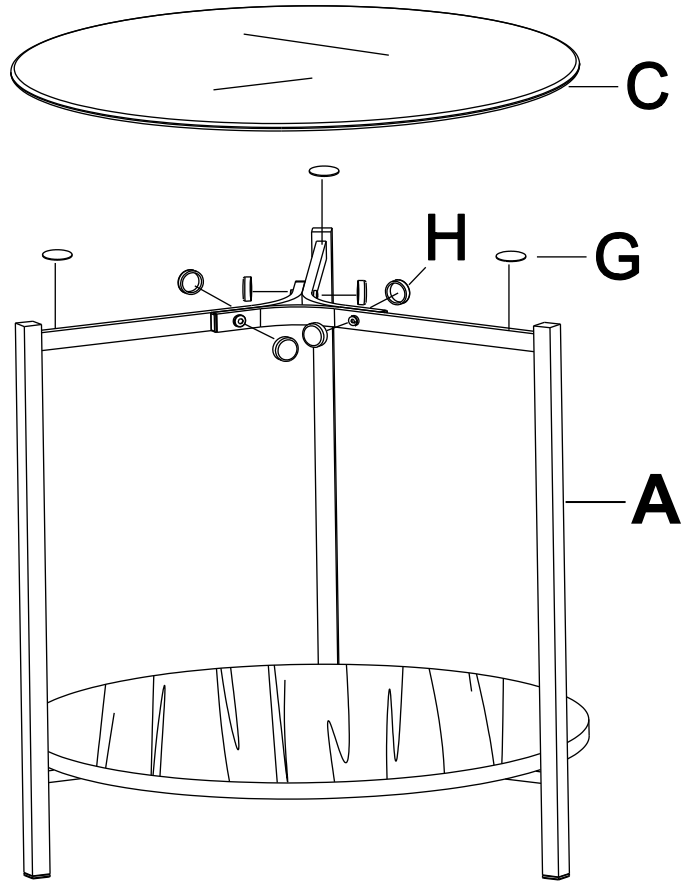


2

Attach Wood Shelf (B) to Legs (A) by Bolt (F) and Allen Wrench (I).



- 3** Cover the bolt head by Bolt Cover (H). Attach Glass Pad (G) to Legs (A), then place Glass Top (C) as shown.



Cleaning & Care

Treat surface with care. Surface is resistant to scratches but is not scratch resistant. Clean surfaces with a dry or damp soft cloth. Do not use abrasive cleaners. Hardware may loosen over time. Periodically check that all connections are tight.