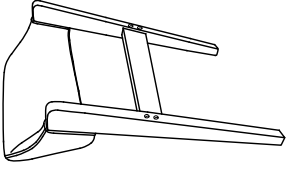

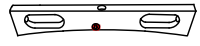
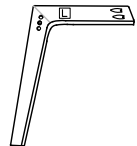
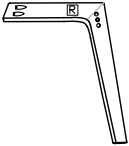
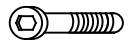




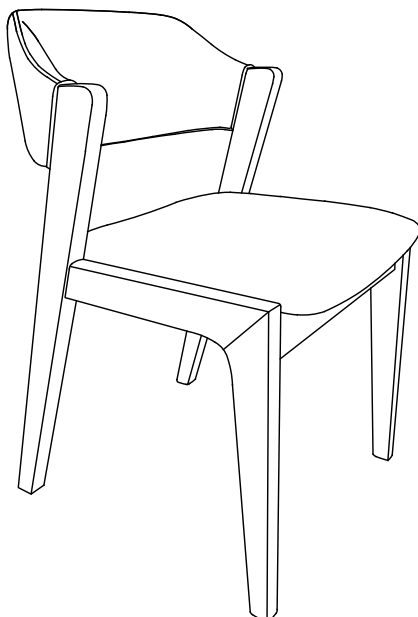


ASSEMBLY INSTRUCTION

CHAIR

| | | | |
|---|---|--|---|
| A Back Frame | B Cushion Seat | C Front Rail | D Side Leg-LSF |
|  |  |  |  |
| 1 pc E Side Leg-RSF | 1 pc F JCBC Bolt M6 x 50mm | 1 pc G Lock Washer M8 x 12mm | 1 pc H Flat Washer M8 x 13mm |
|  |  |  |  |
| 1 pc I Wood Screw M5 x 32mm | 7 pcs J Allen Key M4 | 7 pcs | 7 pcs |
|  |  | | |
| 2 pcs | 1 pc | | |

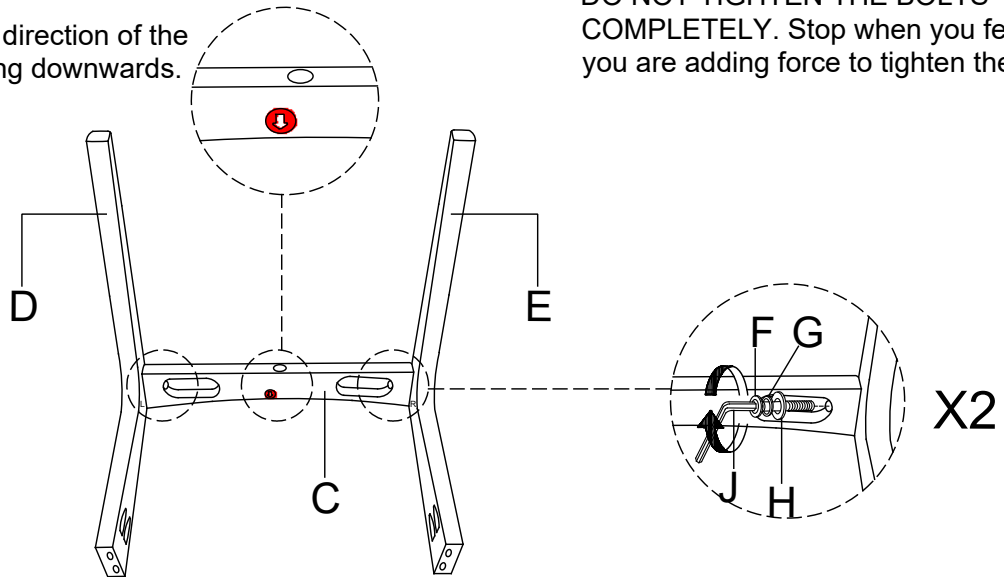


This page lists all the contents included in the box. Please take the time to identify the hardware as well as the individual components to this product. As you unpack and prepare for assembly, place the contents on a carpeted or padded area to protect them from damage.

1 Attach the Front Rail (C) to the Side Leg-LSF & RSF (D & E) using JCBC Bolt (F), Lock Washer (G) and Flat Washer (H) with Allen Key (J).

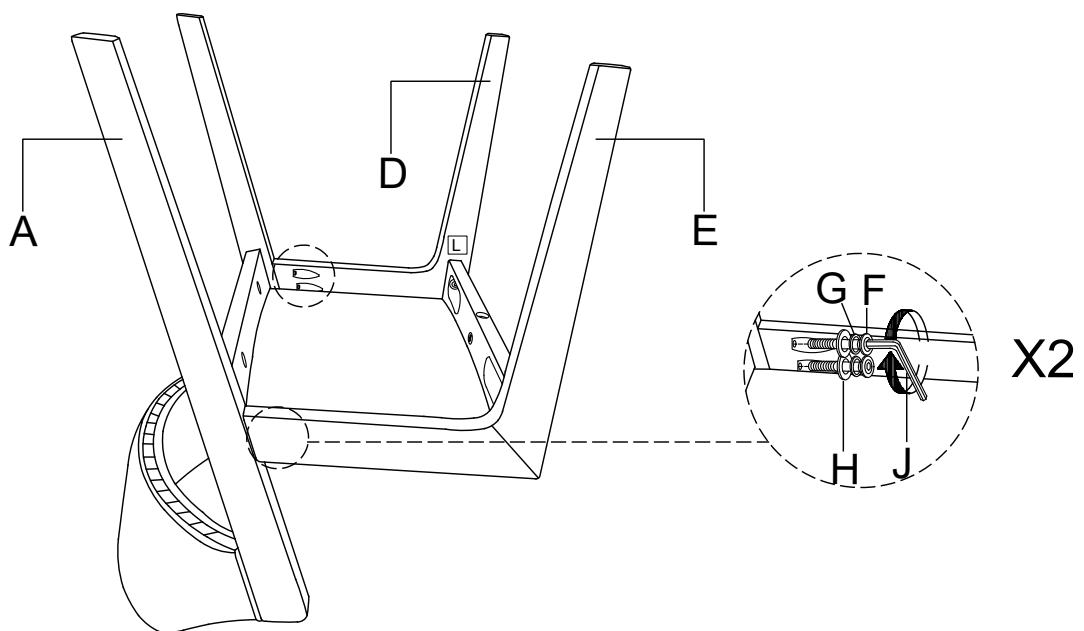
**Do not fully tighten the bolt until all bolts are attached.

Install in the direction of the arrow pointing downwards.



Take the Allen Key and turn the bolts until the legs are secured. DO NOT TIGHTEN THE BOLTS COMPLETELY. Stop when you feel you are adding force to tighten the bolt.

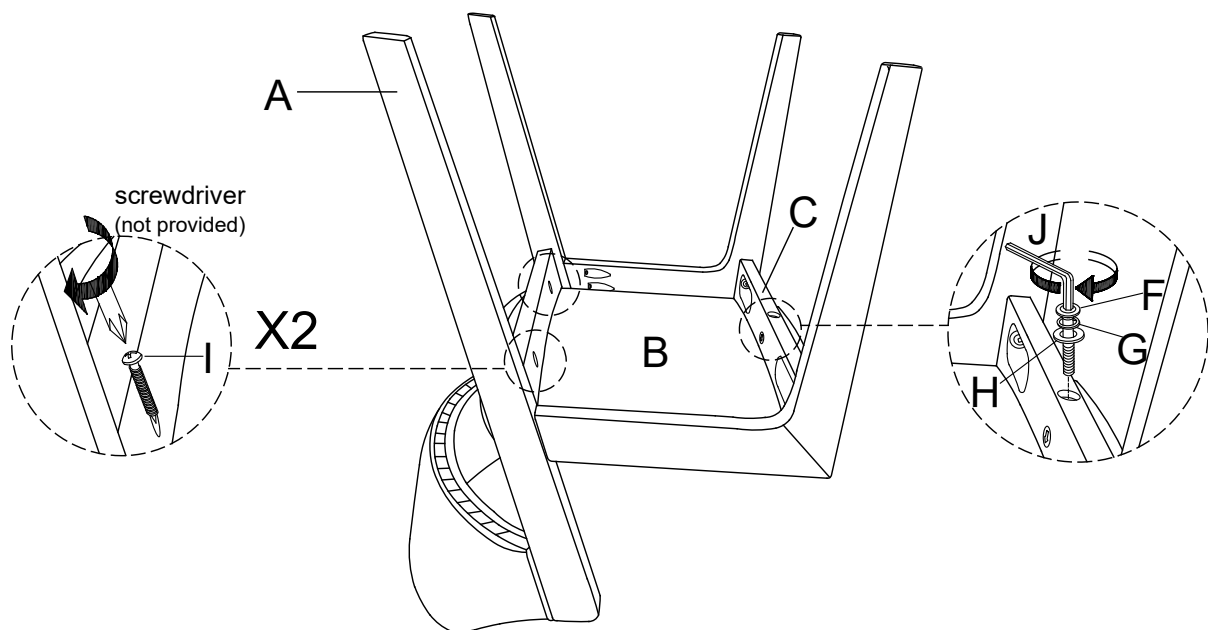
2 Place the Back Frame (A) on a protective surface. Attach the Back Frame (A) to the Side Leg-LSF & RSF (D & E) using JCBC Bolt (F), Lock Washer (G) and Flat Washer (H) with Allen Key (J).



-
- 3** Attach the Back Frame (A) to the Cushion Seat (B) using Wood Screw (I) with screwdriver (not provided). Then attach Front Rail (C) to the Cushion Seat (B) using JCBC Bolt (F), Lock Washer (G) and Flat Washer (H) with Allen Key (J).

Stand up the chair on an even surface and check that it is balanced. If the chair has a slight wobble, apply downward pressure on the uneven leg and tighten all bolts to fix the imbalance. If the chair is now balanced, apply downward pressure evenly in the center of the chair and tighten all bolts. Do not over-tighten beyond hole depth.

Helpful Tip:
Have someone sit in the chair while tightening the bolts from underneath.



Cleaning & Care

Treat surfaces with care. Surfaces are resistant to scratches but are not scratch resistant. Clean surfaces with a dry or damp soft cloth. Do not use abrasive cleaners. Hardware may loosen over time. Periodically check that all connections are tight.