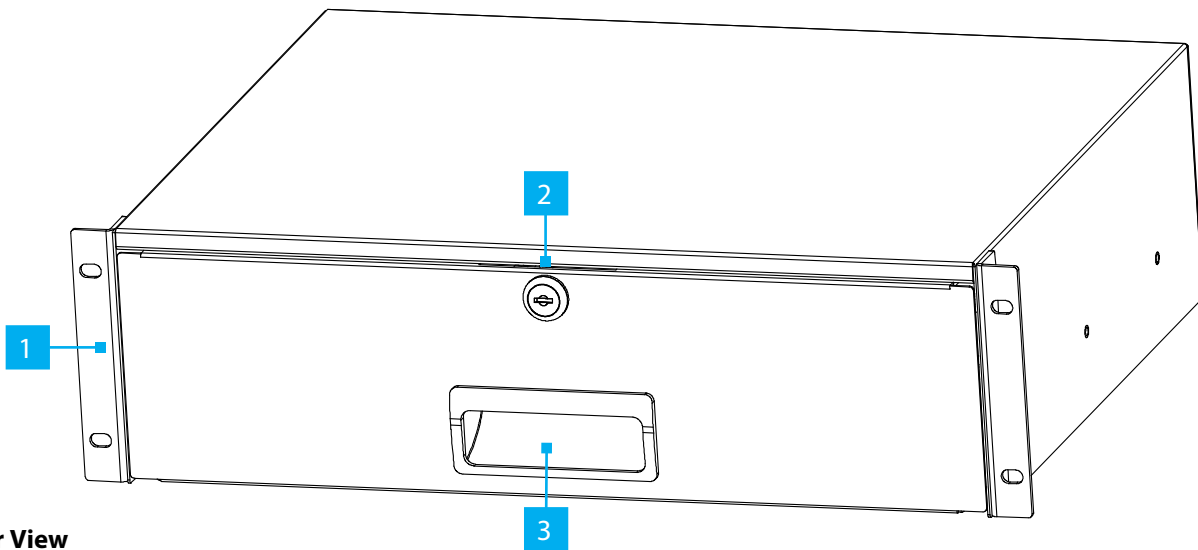


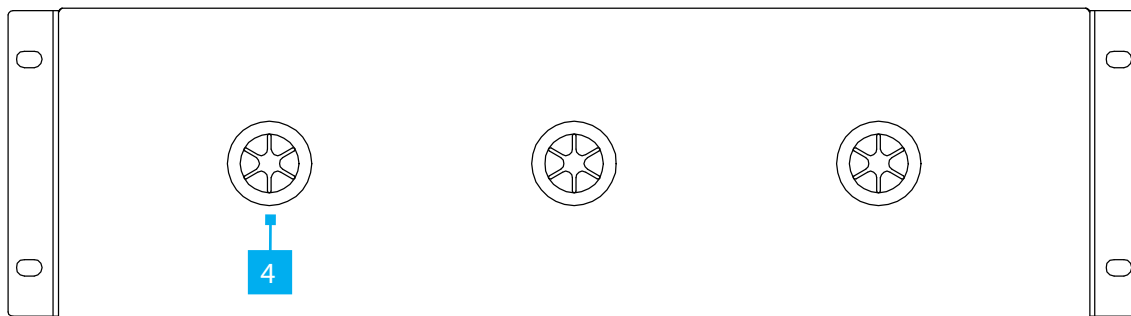
## Lockable Storage Drawer for 19" Server Racks

### Product ID

2U-RACK-MOUNT-DRAWER / 3U-RACK-MOUNT-DRAWER



### Rear View



\*Product may vary from image. 3U model shown

Component	Function
1 Front Mounting Brackets	• Used to fasten the <b>Shelf</b> to the <b>Mounting Posts</b> of a <b>Server Rack</b>
2 Drawer Key Lock	• Use the included <b>Keys</b> to <b>Lock</b> or <b>Unlock</b> the <b>Rack-Mount Drawer</b>
3 Drawer Handle	• Use to open or close the <b>Rack-Mount Drawer</b>
4 Grommet Holes	• Use as <b>Cable Pass-Trough</b>

### Package Contents

- Rack-Mount Drawer x 1 (A)
- Keys x 2 (B)
- Plastic Washers x 4 (C)
- M6 Cage Nuts x 4 (D)
- M6 Mounting Screws x 4 (E)
- Product Documentation x 1

### Requirements

For the latest manuals, product information, technical specifications, and declarations of conformance, please visit: [www.StarTech.com/2U-RACK-MOUNT-DRAWER](http://www.StarTech.com/2U-RACK-MOUNT-DRAWER) and [www.StarTech.com/3U-RACK-MOUNT-DRAWER](http://www.StarTech.com/3U-RACK-MOUNT-DRAWER)

- Refer to the manufacturer of the Server Rack to determine the Posts mounting hole type and size
- Phillips head screwdriver
- Cage nut tool (Optional)

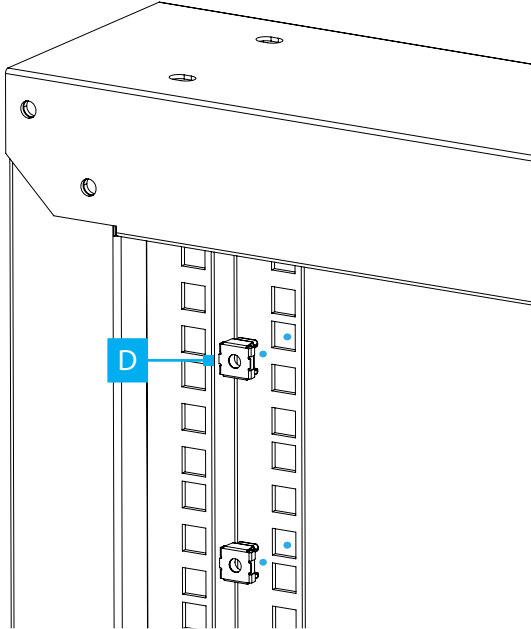
### Warnings!

- Read the entire Quick-Start Guide and ensure the instructions are fully understood before using this product.
- Before adding equipment to this product, ensure this product has been properly mounted.

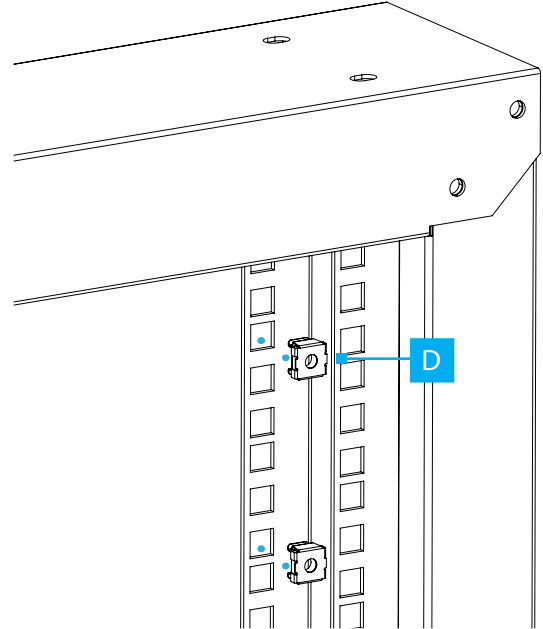
- Never operate this product if parts are missing or damaged.
- Refer to the manufacturer of the Server Rack to determine the mounting hole type and size
- If the Server Rack Mounting Posts have M5 threaded holes, the included M5mm Rack Screws can be installed without Cage Nuts. Use the manufacturer-recommended Screws if they differ from the ones included
- Ensure the weight of the equipment does not exceed the weight capacity of this product. If the weight capacity is exceeded, personal injury or damage to the equipment is possible. This product can support the following weight: 22lb (10kg).

## Installation

1



2



3

