



Assembly Instructions




B2521-071B BIANELLO 3 DRWR BACHELOR CHEST
B2521-071T BIANELLO BACHELOR CHEST TOP

Thank you for purchasing this quality product. Be sure to check all packing materials carefully for small parts, which may have come loose inside the carton during shipment. Identify and count all items and compare with the PARTS LIST and/or HARDWARE LIST shown below.

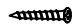
Caution: Please read the instructions thoroughly before assembly.

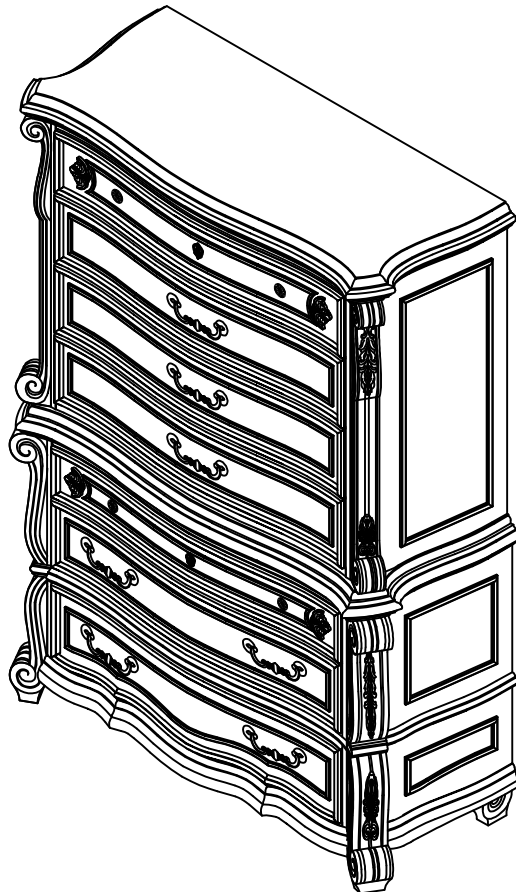
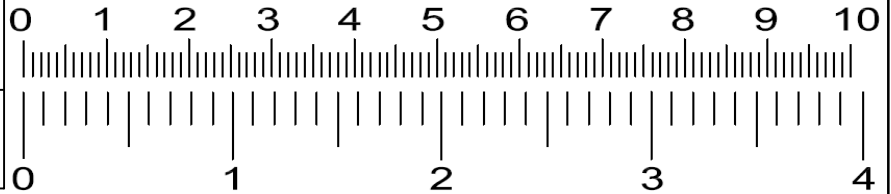
1. We recommend that you assemble this product with the assistance of another person: this will make the assembly easier, and will help eliminate damage to the product or injury to persons during assembly.
2. Please do not over tighten screws or bolts until the assembly is completed.
3. Please put all parts on a non-abrasive floor before assembly, and follow the assembly steps to assemble your newly purchased product correctly and efficiently

PARTS LIST

NO:	COMPONENT	SKETCH	Q'TY
A	CHEST BASE		1PC
B	CHEST TOP		1PC
C	ANTI-TIPPING KIT		2SET

HARDWARE LIST

NO:	COMPONENT	SKETCH	Q'TY
1	Screw: #8*3/4"		6pcs

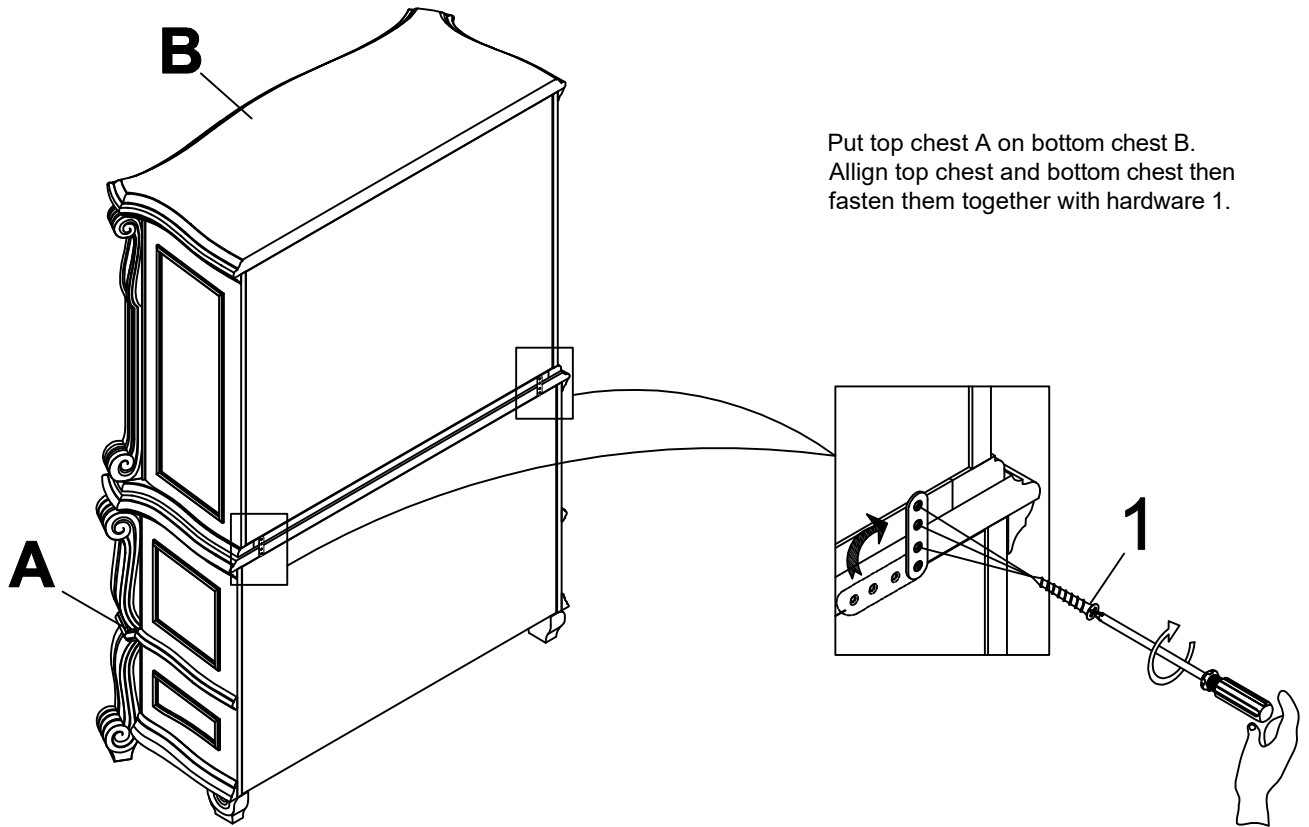




Assembly Instructions

B2521-071B BIANELLO 3 DRWR BACHELOR CHEST
B2521-071T BIANELLO BACHELOR CHEST TOP

STEP 1



STEP 2

