



Shown above as soaking bath without pedestal

Boutique Collection Tubs

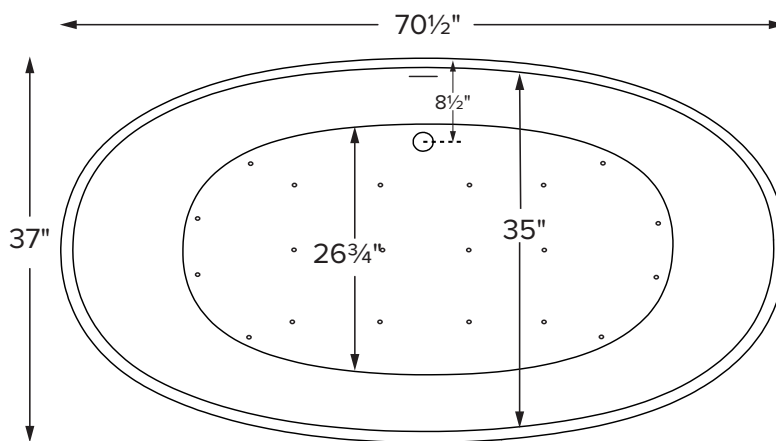
Alissa
with Optional Integral Pedestal
MODEL #: 244
70.5" x 37" x 21.25"

GENERAL SPECIFICATIONS

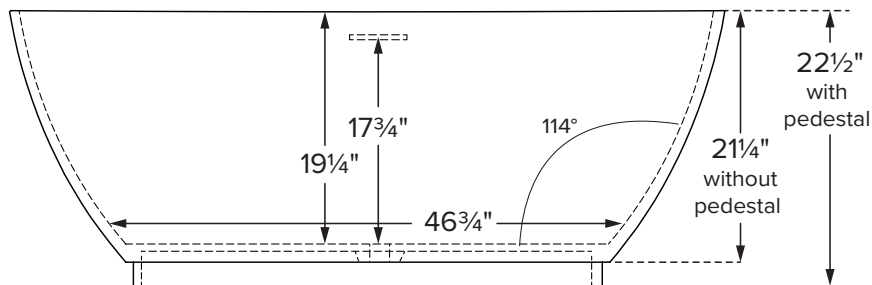
Material - SculptureStone®
Installation - Freestanding
Soaker Weight - 270 lbs / 123 kg
Air Bath Weight - 300 lbs / 136 kg
Maximum Fill - 102 gal to overflow

May also be undermounted. Must specify on order.
Not recommended as a tub / shower combination.

NOTE: Filling this tub to the maximum may require an above average size or dedicated water heater.



Shown above as an Air Bath.



Note:
Pedestal base increases the overall height of the tub and comes standard on this model as an air bath.

ELECTRICAL COMPONENTS & SPECIFICATIONS

Required Electrical Service - 110 Volt

Hydrotherapy Package	Components Included	GFCI
Air Massage	heated blower	1-15 amp

CSA Certified C/US; ANSI Z124.1 and ANSI 112.19.7

See the Installation & Operation Manual for more details.
MTI's Customer Service: Monday-Friday 8am-6pm EST
800-783-8827 or service@mtibaths.com

IMPORTANT ORDERING & INSTALLATION INFORMATION

- Before ordering or installing, please consider future access to equipment.
- Includes an integrated overflow with toe tap drain in chrome finish. May be specified without an overflow (see local codes before ordering without an overflow).
- Air baths require job site preparation for remote installation of the blower and required check valve. Check valve must be installed higher than the rim of the tub.
- Waterproof remote control included with air bath. Keypad shipped loose may be remote mounted on nearby surface/wall.
- Faucet valves cannot be mounted on this tub model.

- Before discarding tub crate, check for accessories that may be packaged inside.
- All product measurements are $\pm 1/2$ ".
- Specifications and configurations are subject to change without notice.
- Measurements herein supersede all others published prior to publication date below.

For more information on options and accessories go to SculptureStone® Tubs Options on mtibaths.com

Alissa
with Optional Integral Pedestal
MODEL #: 244
70.5" x 37" x 21.25"

- Blower & required check valve for airbath must be remote mounted. Check valve must be installed higher than the rim of the tub.
- See the Installation & Operation Manual for more details.

Hydrotherapy	Package Contents	Part #	Description	MSRP	
Soaker	Soaking bath- no jets. Includes integrated slotted overflow with a toe-tap drain kit. • With or without integral inset pedestal base	S244A	Without Pedestal	\$8,020	Crate / Handling Fee Applies
		S244B	With Pedestal	\$8,140	
Air Bath	20 air jets, heated air blower, keypad, waterproof remote control. Includes an integrated slotted overflow with a toe-tap drain kit • With integral inset pedestal base	AST244	With Pedestal	\$13,130	Crate / Handling Fee Applies

Options <small>Must be ordered at time of purchase</small>
Quick Ship (QSPRI2) \$950 reduces lead time <i>Please call for availability</i>
Standard Color White, matte finish Biscuit Color Upgrade (SSBI) \$285 matte finish <i>Additional material colors available for projects only. Please call MTI.</i>
Hand-Polished Deep Gloss Finish (SSGLOSS) \$965 upcharge For white or biscuit
Exterior Color \$1,630 (SSCOLTG) Gloss Finish (SSCOLTM) Matte Finish Must specify color code: Sapphire Blue (SB), Blue Lagoon (BL), Terracotta (TC), Onyx (OX), Nightfall (NF), Stratus Gray (TG), Stormgray (SG), Moonstone (MS) <i>Adds 20 business days to standard lead time.</i>

Accessories
Teak Bath Mat (TKMAT3018) \$740 Measures 30" x 17.5" x 1" <i>Custom sizes also available. Contact MTI for details.</i>
Floor-Mounted High-Flow Tub Filler Contemporary Chrome (FILLC) \$1,480 Br. Nickel (FILLBN) \$1,710 Traditional Chrome (FILLTC) \$1,505 Br. Nickel (FILLTBN) \$1,745
SculptureStone® Tub Tray Without Stemware Holder (SSTRAY1) \$315 With Stemware Holder (SSTRAY2) \$415 <i>Color and finish will come matched with tub</i>
Teak Tub Tray Slatted (TK-TRAY1) \$455 Solid (TK-TRAY2) \$520 <i>Order with tub for best fit</i>

Drains & Overflow Kits Must be ordered at time of purchase

Toe Tap Drain Cover Finishes
PVC drain - Chrome included + \$30 upcharge Br. Nickel (WIOBN), Pol. Nickel (WIOPN) + \$65 upcharge Matte Black (WIOMB) + \$105 upcharge Oil-Rubbed Bronze* (WIOOR) + \$580 upcharge Special Finish* (WIOSF) <i>Send finish sample to MTI Baths for best match.</i>

* MTI has selected an oil-rubbed bronze finish that is compatible with Delta and many other manufacturers. To ensure best match, order as a Special Finish and submit a sample.
CSA # MTCT-244

Boutique Accessories Packaging / Handling Fee Applies
SculptureStone® Bathroom Table (TABLE) \$765 matte finish + \$400 gloss finish upcharge (SSGLOSSSNK) <i>Order with tub for best color match</i>
SculptureStone® Standard Faucet Stand Small - 3-hole capacity 14¼" w x 21¾" h Matte (STAND) \$670 Large - 5-hole capacity 22" w x 21¾" h Matte (STANDL) \$790 + \$400 gloss finish upcharge (SSGLOSSSNK)
SculptureStone® Premium Faucet Stand 15" w x 39" h Matte (SSFSR3915MT) \$2,190 Gloss (SSFSR3915GL) \$2,520 10" w x 39" h Matte (SSFSR3910MT) \$1,975 Gloss (SSFSR3910GL) \$2,340 20" w x 23" h Matte (SSFSR2320MT) \$1,785 Gloss (SSFSR2320GL) \$2,145 15" w x 23" h Matte (SSFSR2315MT) \$1,690 Gloss (SSFSR2315GL) \$2,020
SculptureStone® Premium Component Stand 20" l x 22.5" h Matte (SSPX1MT) \$1,850 Gloss (SSPX1GL) \$2,445 <i>Compatible with select tub models.</i> <i>Go to www.mtibaths.com</i>

Toe Tap SculptureStone® Drain Cover Finishes
White only + \$85 upcharge Matte Finish (SSWIOMT) + \$100 upcharge Gloss Finish (SSWIOGL) Brass Tailpiece (WIOBS) \$70 in addition to finish charge listed above Quick Drain Kit (WOQ) \$430

* Allow 2-4 weeks lead time for Special Finishes.
Send sample for best match.

