

Dotted line size: 768*429mm

Kräus®

www.kraususa.com

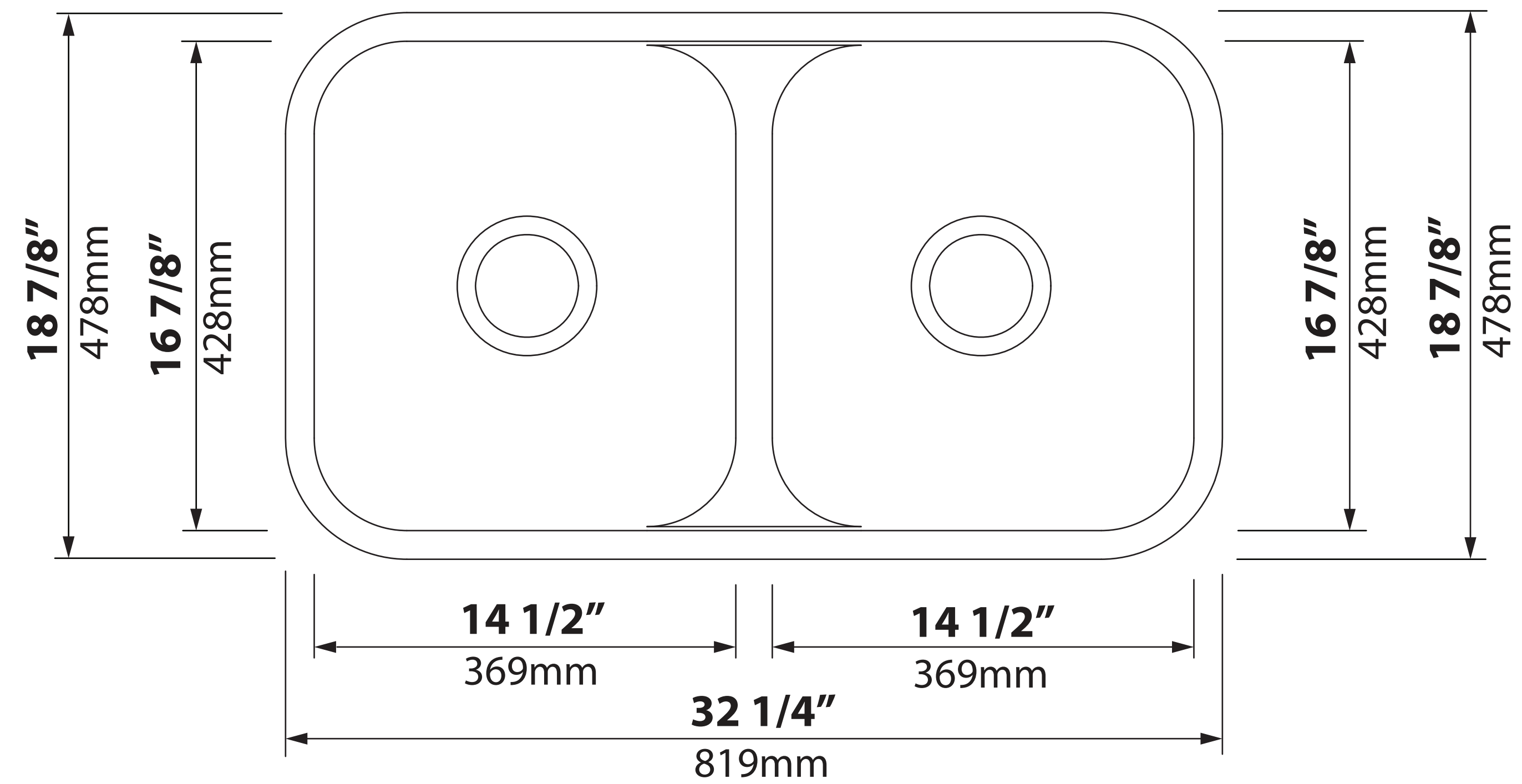
Model No.
KBU32
KBU32/18

Undermount Cut-out

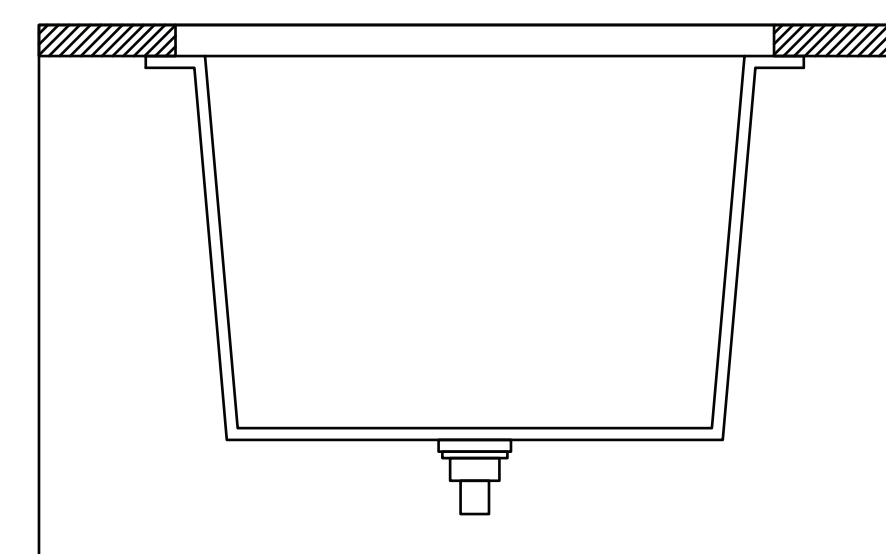
Pro Hotline: 516.801.8955

Customer Service: 800.775.0703

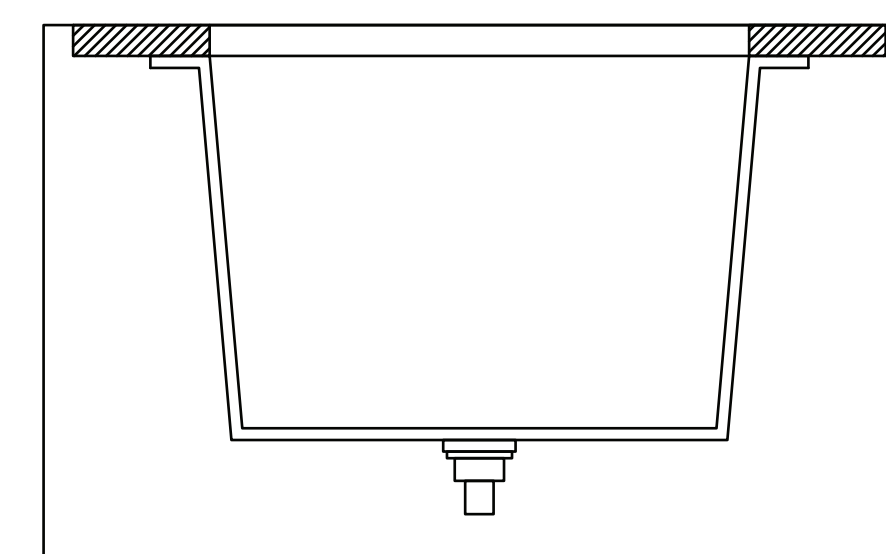
NOTE: Cutout template is provided as a guide **ONLY** and must be checked against actual sink to verify correct fit.



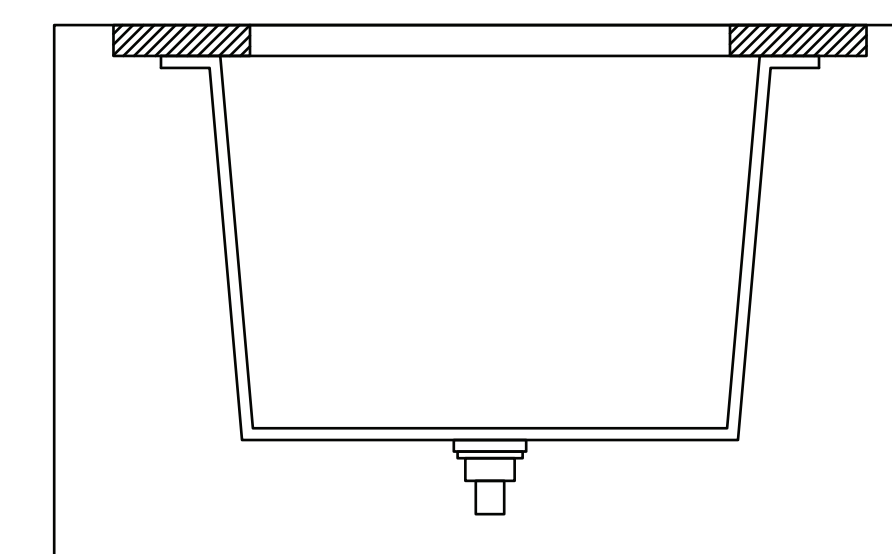
SPECIFICATION C: 3/8" POSITIVE REVEAL



SPECIFICATION A: ZERO / FLUSH REVEAL



SPECIFICATION B: 1/8" NEGATIVE REVEAL



← Please cut along inner solid line for negative reveal 1/8"

← Please tear perforated edge for zero / flushed reveal

← Please use outer edge for positive reveal 3/8"