

Aimpoint®

Operator, Technical and Maintenance Manual for CompM XD and CompML XD



Aimpoint AB
Jägershillgatan 15
SE-213 75 Malmö, Sweden
Tel. +46 40 671 50 20
Fax +46 40 21 92 38
e-mail info@aimpoint.se
www.aimpoint.com

Aimpoint Inc.
7702 Leesburg Pike
Falls Church, Virginia 22043, USA
Tel +1 (703) 749 2320
Fax +1 (703) 749 2323
e-mail info@aimpoint.com
www.aimpoint.com

CHAPTER I

1.1. Presentation

The CompM XD and CompML XD Reflex Sights are rugged precision electronic optical red dot sights developed for military, law enforcement and civilian applications. Collimated reflex sights are designed for the "two eyes open" method of sighting, which greatly enhances situational awareness and target acquisition speed. Thanks to the parallax-free design, the dot follows the horizontal and vertical movement of the user's eye while remaining fixed on the target, eliminating any need for centering. Further, the sight allows for unlimited eye-relief.

The CompM XD is compatible with 1st, 2nd and 3rd generation night vision devices, while the CompML XD is optimized for applications which do not require night vision compatibility.

Aimpoint has introduced the XD technology, a radical advancement in red dot sighting performance with a 300% brighter dot and 500% longer battery life.

WARRANTY : Aimpoint guarantees this product to be free from original manufacturer defects in material and / or workmanship for a period of two years from the date of purchase. The warranty is valid provided that the sight has not been misused, disassembled or tampered with in any way.

This warranty agreement is limited to the original owner and is not transferable.

1.2 Technical specifications

Length:	125 mm
Weight:	174 g with lens covers
Material – Housing:	Aircraft aluminium, anodized black, matt finish
Material lens covers:	Polymeric plastic, black non-glare finish
Optical magnification:	1x, unlimited eye relief
Optical coating:	Anti reflex
Eyerelief:	Unlimited

Dot size :	3 MOA, (0,9mRad) nominal
MOA (minute of angle)	1MOA = 30mm at 100m = 1" at 100 yards
Switch Comp M :	10 positions : 1 Off, 2 NVD, 6 Daylight, 1 Extra bright
Switch CompML :	10 positions : 1 Off, 8 Daylight, 1 Extra bright
Battery life :	100-1000 hours depending on brightness setting. Storage 10 years
Power :	One 3 Volt Lithium battery type 2L76 or DL1/3N
Adjustment :	1 click = ½" at 100 yards= 15 mm at 100 meters
Ring :	30 mm standard ring
Maximum temperature range :	- 45 °C to + 70 °C (- 50 °F to + 160 °F)
Immersion in water :	10 meters **

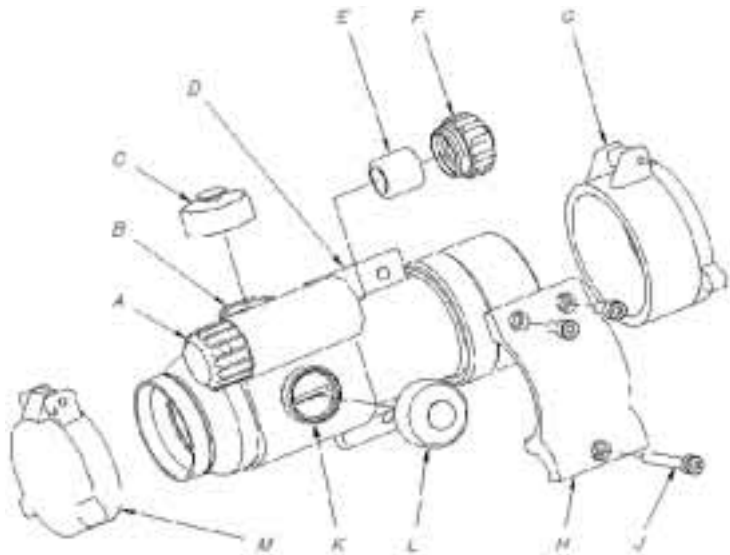
**** CAUTION:** These sights are only waterproof when adjustment caps and battery cap are properly attached.

1.3. Location and description of major components

See Fig.1 - On next page

A	Rotary switch cap "on-off"
B	Elevation adjustment screw
C	Adjustment cap
D	Ring, left half
E	Battery
F	Battery cap
G	Front lens cover
H	Ring, right half
J	Screw (3)
K	Windage adjustment screw
L	Adjustment cap
M	Rear lens cover

Fig.1 - CompM/ML XD



CHAPTER II

OPERATION UNDER NORMAL CONDITIONS

2.1. ASSEMBLY AND PREPARATION FOR USE

Warning: Insure the weapon is unloaded and the selector is in the "safe" position before attempting to install, remove or perform maintenance on the sight.

2.1.1. Installing Battery

- a) Remove battery cap by turning it counterclockwise.
- b) Insert battery with positive (+) end toward cap.

Caution while replacing battery:

(This procedure is not necessary when the sight is unused)

Before installing battery cap, inspect threads on battery housing and battery cap to ensure that they are free of moisture and dirt and that the O-ring in the battery cap is present. Failure to do so could result in loss of electrical power and shorten battery life.

- c) Install battery cap by turning clockwise until snug. Hand tighten only. Using tools could damage equipment.
- d) Verify that red dot is present by turning the rotary switch clockwise.

2.1.2. Installing Ring and Sight on the weapon

CompM/ML are designed for installation on most types of weapons.

- a) Remove battery cap and battery.
- b) Assembly the ring around the sight and mount the ring on the appropriate base (a Weaver or Picatiny base).
- c) Tighten first the lower screw of the ring with the Allen key to ensure a tight fit to the base and then tighten the two upper screws.
- d) Finally control that all 3 screws are firmly tightened around the sight.
- e) Reinstall battery and battery cap.

2.2. OPERATING PROCEDURES

2.2.1. Zeroing

CompM/ML are delivered in a centered position. Normally this means that only small adjustments are necessary.

CAUTION: Do not continue to adjust windage and elevation mechanisms if you encounter resistance.

The elevation adjustment screw is located on top of the sight, while the windage screw is located on the right or left side, depending on how the sight has been mounted on the weapon.

- a) Open front and rear lens covers.
- b) Turn the rotary switch clockwise until the red dot has a sufficient intensity to contrast against the target.
- c) Remove the windage and elevation adjustment caps.

NOTE : Each click of the adjustment screw corresponds to a 4 mm movement of the point of impact at 25 meters, (30 mm at 200 meters and 45 mm at 300 meters).

- d) Insert adjustment tool (coin, screwdriver, knife) or cartridge casing in adjustment screw slot and turn as follows:
 - To move the point of impact to the right, turn windage adjustment screw counterclockwise (clockwise if screw located on left side).
 - To move the point of impact to the left, turn windage adjustment screw clockwise (counterclockwise if screw located on left side).
 - To move the point of impact up, turn elevation adjustment screw counterclockwise.
 - To move the point of impact down, turn elevation adjustment screw clockwise.
- e) Confirm zeroing by firing at least three shots at a zeroing target. Check impact points on zeroing target to confirm accuracy and repeat above procedure if required.
- f) After initial firing, ensure that the mount and sight are secure.
- g) Turn rotary switch to OFF position (counterclockwise).
- h) Close front and rear lens covers.

CHAPTER III

OPERATION UNDER EXTREME CONDITIONS

- a) **Extreme heat** (moist or dry). No special procedures required.
- b) **Extreme cold**. Extreme cold will shorten battery life. Keep spare batteries in your inner pockets to keep them warm.
- c) **Salt air**. No special procedures required.
- d) **Sea spray, water, mud and snow**. Ensure that battery cap and two adjustment screw caps are tight before exposing the sight to sea spray, mud and snow or before immersing the sight in water. Hand tighten only.
Keep lens covers closed when sight is not being used. Clean lenses with lens paper/cloth and wipe the sight dry as soon as possible after exposure to water, sea spray, mud or snow.
- e) **Dust storms and sand storms**. Keep lens caps closed when sight is not being used.
- f) **High altitudes**. No special procedures required.

CAUTION: The lenses shall never be cleaned with fingers but with lens paper/cloth.

If no lens paper/cloth available :

- To take away stains (sand, grass...) : blow away the dirt.
- To clean lenses : mist up the lenses and dry them with a smooth piece of cloth.

CHAPTER IV

TROUBLE SHOOTING PROCEDURES

4.1. RED DOT DOES NOT APPEAR

Discharged battery	Replace battery
Battery installed incorrectly	Remove and reinstall battery
Battery is not making good contact	Clean threads on battery cap and battery housing. Clean contact surface and reinstall battery.
Battery cap spring missing	Notify armorer
Defective rotary switch	Notify armorer

CHAPTER V

MAINTENANCE

- a) This reflex sight does not require any particular maintenance while used under normal conditions.
- b) Under severe weather conditions please refer to chapter III.
- c) Keep lens covers closed whenever the sight is not in use.
- d) Warehouse storage: Remove battery and allow lens surfaces to dry completely (if wet) before closing the lens covers.
- e) When replacing front lens cover, pull straight forward.
CAUTION: Never twist front lens cover.
- f) To clean lenses refer to CAUTION in chapter III.