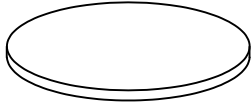
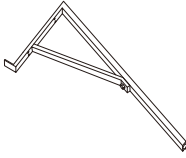
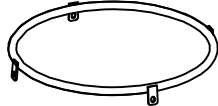
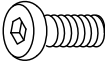
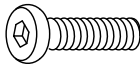
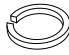
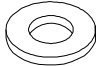
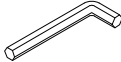
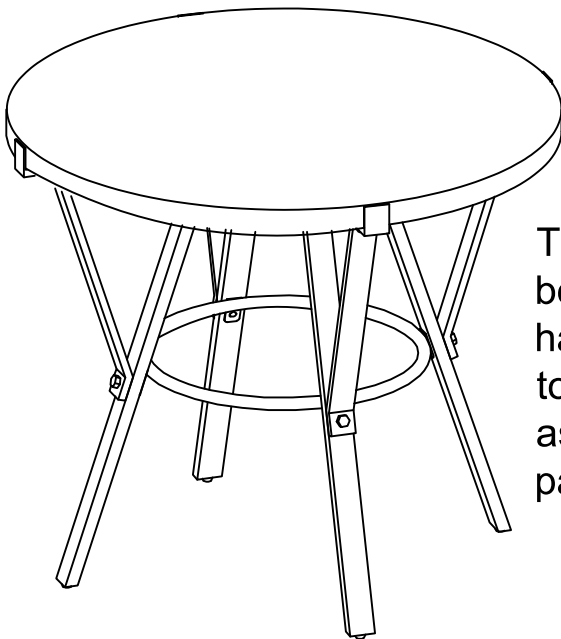


ASSEMBLY INSTRUCTIONS

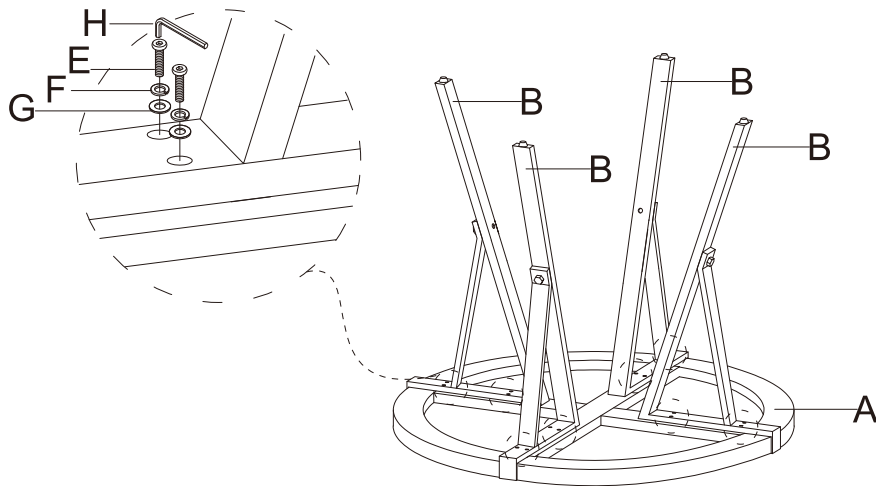
36" COUNTER HEIGHT TABLE

A Top  1 pc	B Leg  4 pcs	C Connecting Ring  1 pc
D Bolt Ø1/4" x 20mm  4 pcs	E Bolt Ø1/4" x 30mm  16 pcs	F Spring Washer Ø1/4" x Ø10mm x 2mm  20 pcs
G Flat Washer Ø1/4" x Ø13mm x 2mm  20 pcs	H Allen Wrench 4mm  1 pc	

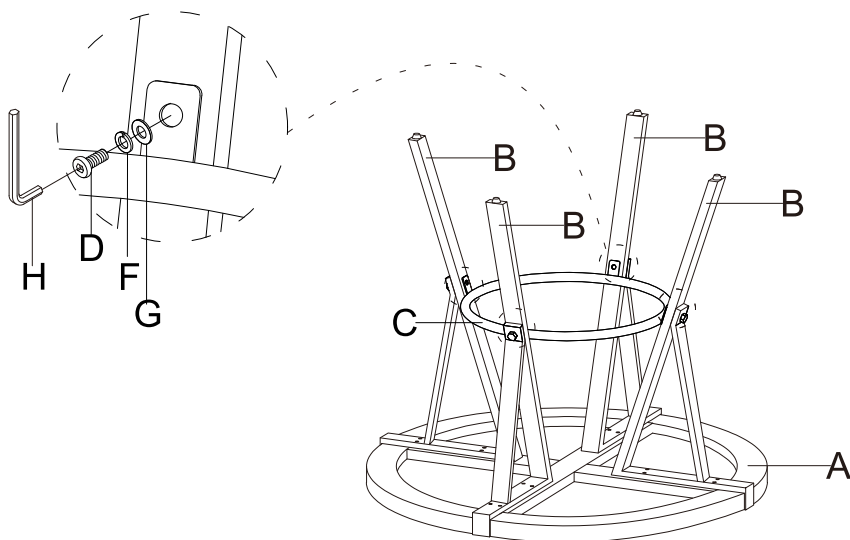


This page lists all the contents included in the box. Please take the time to identify the hardware as well as the individual components to this product. As you unpack and prepare for assembly, place the contents on a carpeted or padded area to protect them from damage.

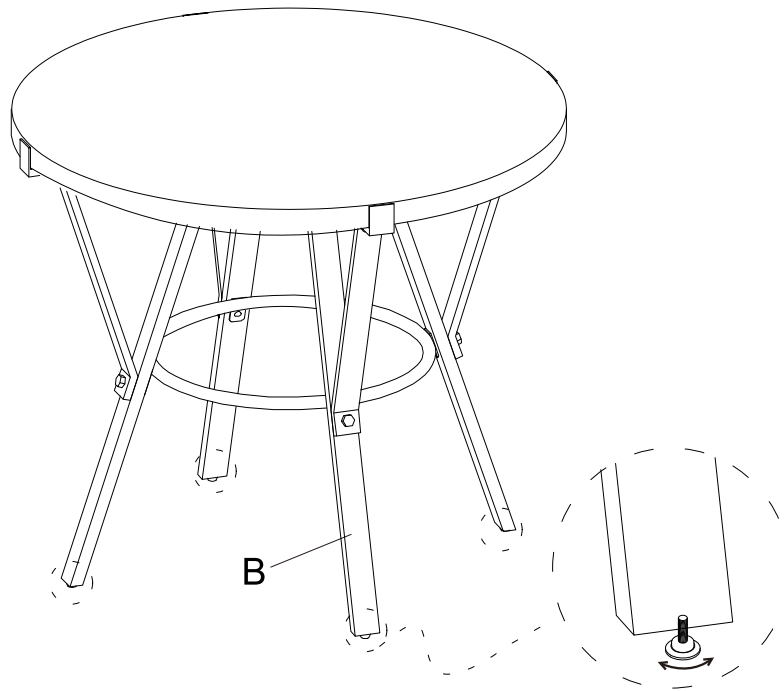
-
- 1** Place Top (A) on a smooth floor. Attach Leg (B) to Top (A) using Bolt (E), Spring Washer (F) and Flat Washer (G) with Allen Wrench (H). Do not fully tighten the bolts at this step.



-
- 2** Attach Connecting Ring (C) to Leg (B) using Bolt (D), Spring Washer (F) and Flat Washer (G) with Allen Wrench (H). Fully tighten all the bolts at this step.



-
- 3** Stand the table up. If the table wobbles slightly, adjust the pre-installed levelers on the bottom of Leg (B) until the table is stabilized.



Adjust the height of the pre-installed levelers to achieve balance.

Cleaning & Care

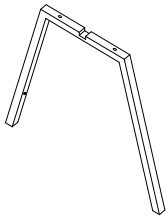
Treat surfaces with care. Surfaces are resistant to scratches but are not scratch resistant. Clean surfaces with a dry or damp soft cloth. Do not use abrasive cleaners. Hardware may loosen over time. Periodically check that all connections are tight.

ASSEMBLY INSTRUCTIONS

24"H SWIVEL COUNTER HEIGHT CHAIR

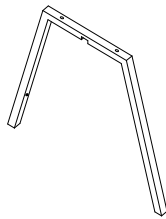
29"H SWIVEL BAR HEIGHT CHAIR

A Lower Leg



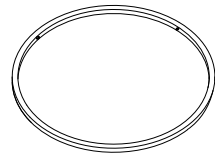
1 pc

B Upper Leg



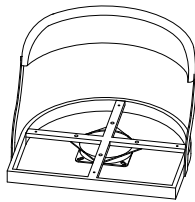
1 pc

C Bottom Ring



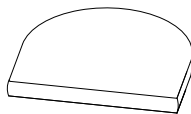
1 pc

D Back with Swivel Plate



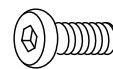
1 pc

E Seat Cushion



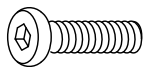
1 pc

F Bolt
Ø1/4" x 15mm



4 pcs

G Bolt
Ø1/4" x 30mm



4 pcs

H Spring Washer
Ø1/4" x Ø10mm x 2mm



8 pcs

I Flat Washer
Ø1/4" x Ø13mm x 2mm



8 pcs

J Allen Wrench
4mm

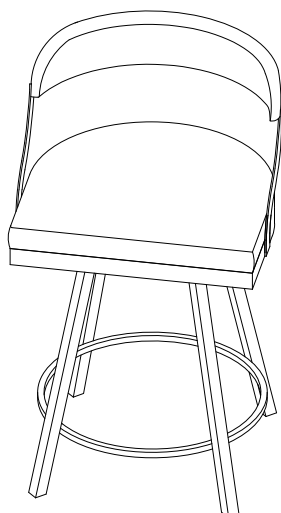


1 pc

K Screw
4 x 25mm

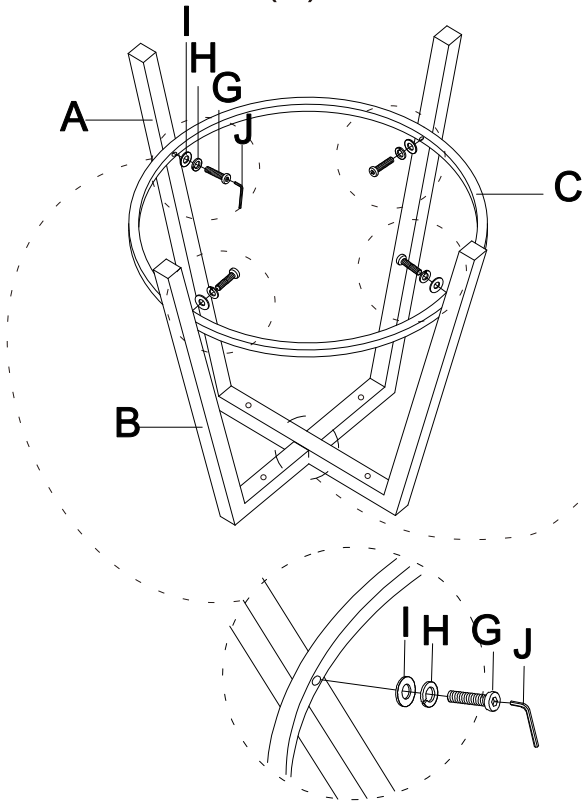


4 pcs

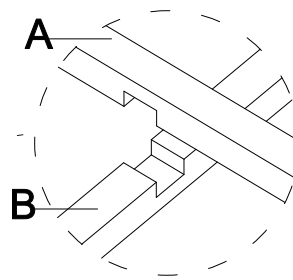


This page lists all the contents included in the box. Please take the time to identify the hardware as well as the individual components to this product. As you unpack and prepare for assembly, place the contents on a carpeted or padded area to protect them from damage.

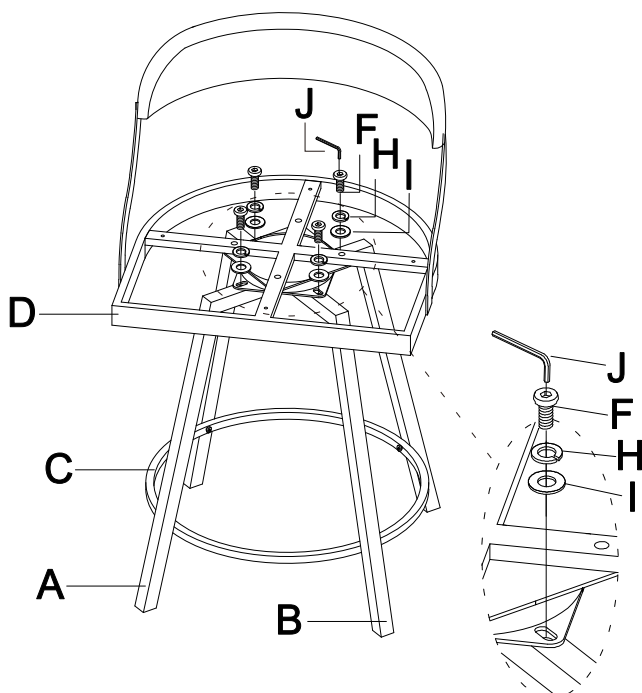
- Put Lower Leg (A) into the groove of Upper Leg (B). Then attach Bottom Ring (C) to Lower & Upper Leg (A & B) using Bolt (G), Spring Washer (H) and Flat Washer (I) with Allen Wrench (J).



Take the Allen Wrench and turn the bolts until the legs are secured. **DO NOT TIGHTEN THE BOLTS COMPLETELY.** Stop when you feel you are adding force to tighten the bolt.



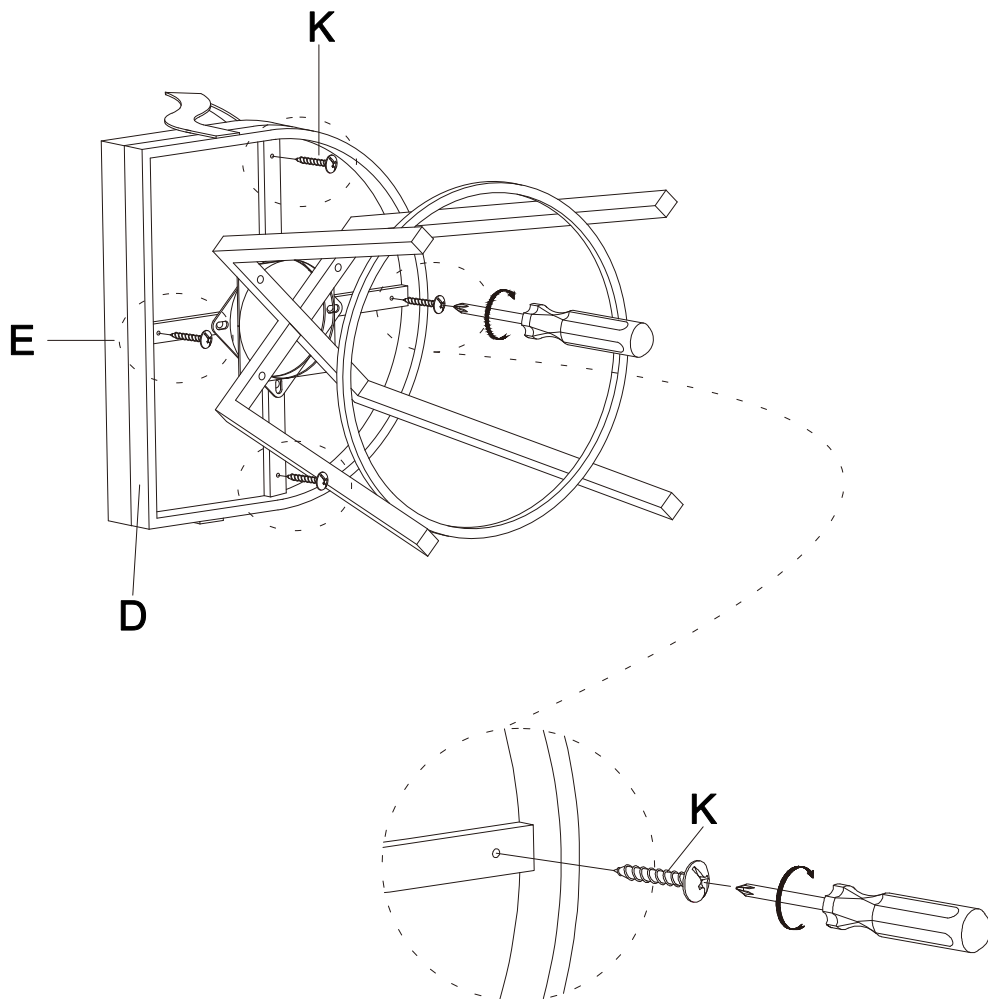
- Stand the chair base up. Attach Back with Swivel Plate (D) to Lower & Upper Leg (A & B) using Bolt (F), Spring Washer (H) and Flat Washer (I) with Allen Wrench (J).



Stand the chair on an even surface and check for balance. If the chair wobbles slightly, apply downward pressure on the uneven leg and tighten the bolts to correct the imbalance. Once the chair is balanced, apply downward pressure evenly in the center of the chair and tighten all bolts, being careful not to over-tighten beyond the hole depth.

-
- 3** Attach Seat Cushion (E) to Back with Swivel Plate (D) using Screw (K) with a screwdriver (not provided).

Helpful Tip: While tightening the bolts from underneath, have someone sit in the chair.



Cleaning & Care

Treat surfaces with care. Surfaces are resistant to scratches but are not scratch resistant. Clean surfaces with a dry or damp soft cloth. Do not use abrasive cleaners. Hardware may loosen over time. Periodically check that all connections are tight.