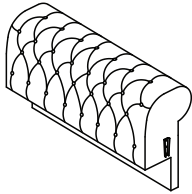


# ASSEMBLY INSTRUCTION

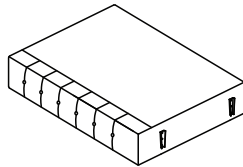
## LOVESEAT

**A** Back Frame



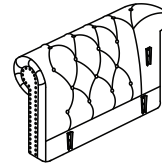
1pc

**B** Seat Frame



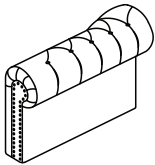
1pc

**C** Left Arm



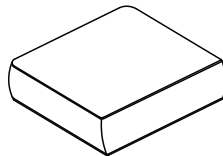
1pc

**D** Right Arm



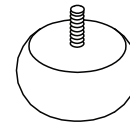
1pc

**E** Seat Cushion

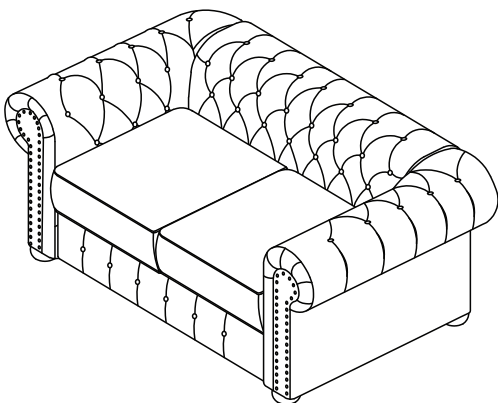


2pcs

**F** Wooden Leg

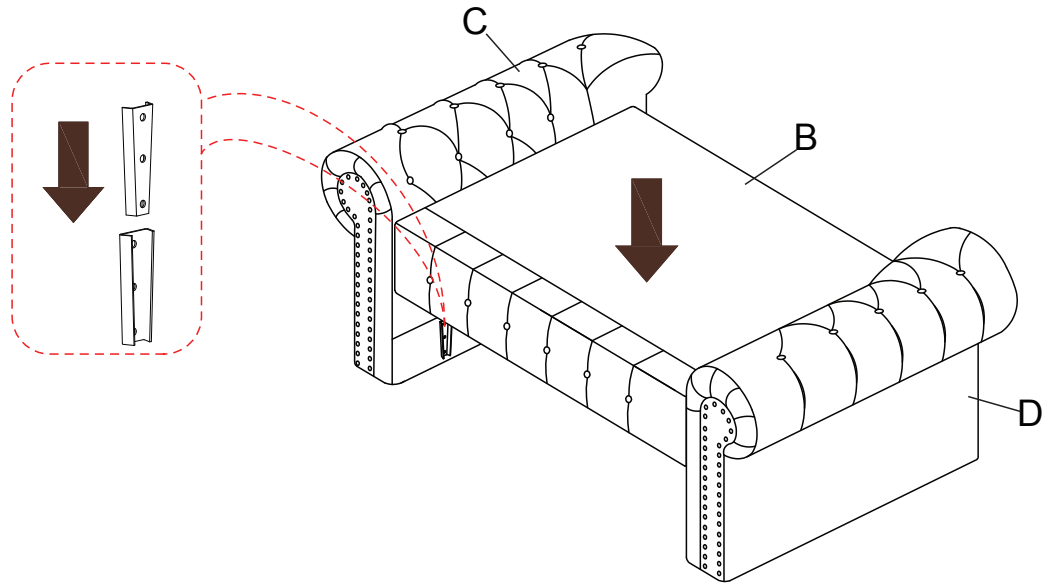


4pcs

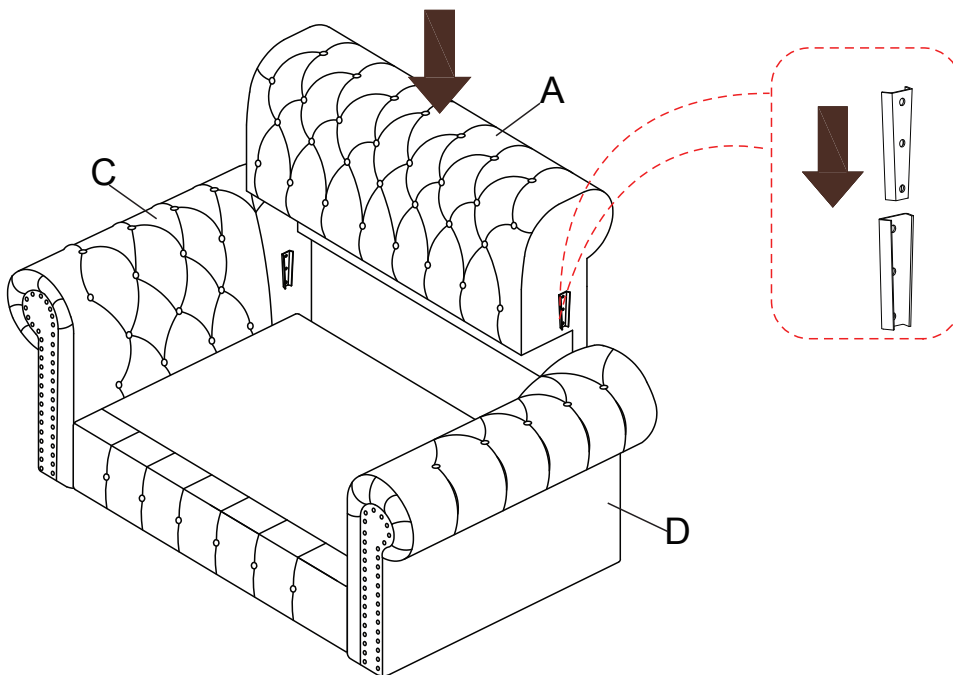


This page lists all the contents included in the box. Please take the time to identify the hardware as well as the individual components to this product. As you unpack and prepare for assembly, place the contents on a carpeted or padded area to protect them from damage.

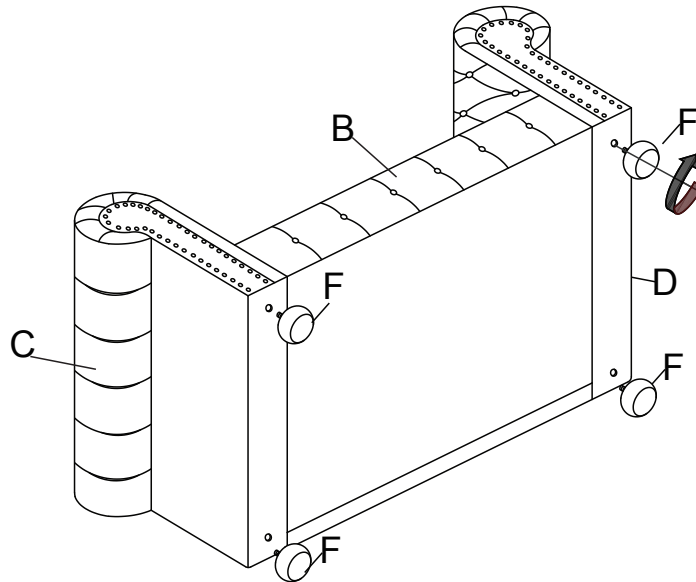
**1** Hook the Seat Frame(B) onto the Left Arm(C) & Right Arm(D) properly.



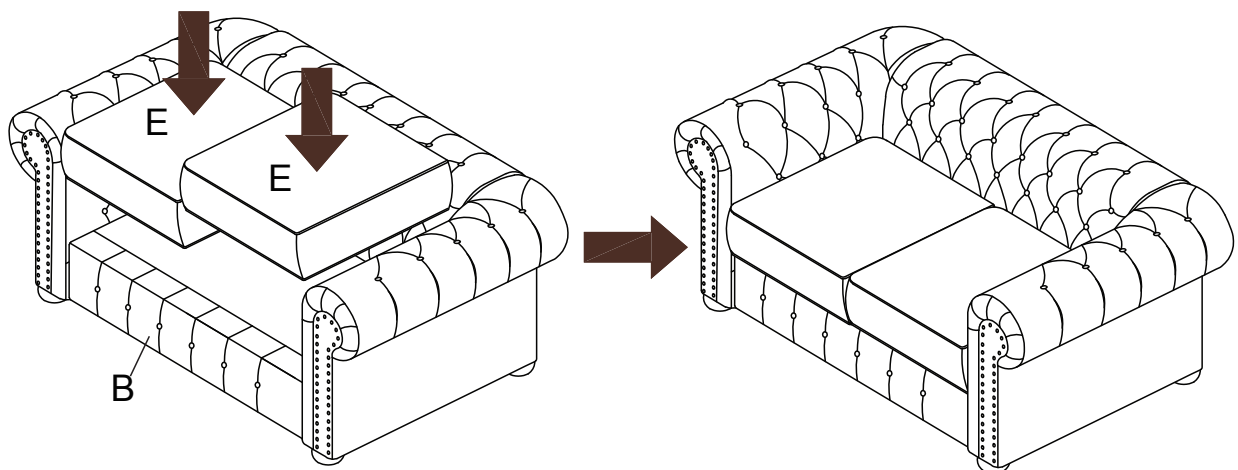
**2** Hook the Back Frame(A) onto the Left Arm(C) & Right Arm(D) properly.



- 
- 3** Please flip over the loveseat on a smooth flat surface. Align the Wooden Leg(F) to Left Arm(C) & Right Arm(D) to the pre-drilled holes, then tighten the Wooden Leg(F).



- 
- 4** Put the Seat Cushion(E) on Seat Frame(B).



---

#### Cleaning & Care

Treat surface with care. Surface is resistant to scratches but is not scratch resistant. Clean surfaces with a dry or damp soft cloth. Do not use abrasive cleaners. Hardware may loosen over time. Periodically check that all connections are tight.