


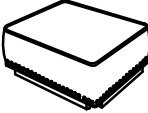

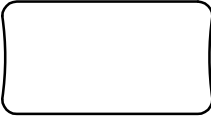





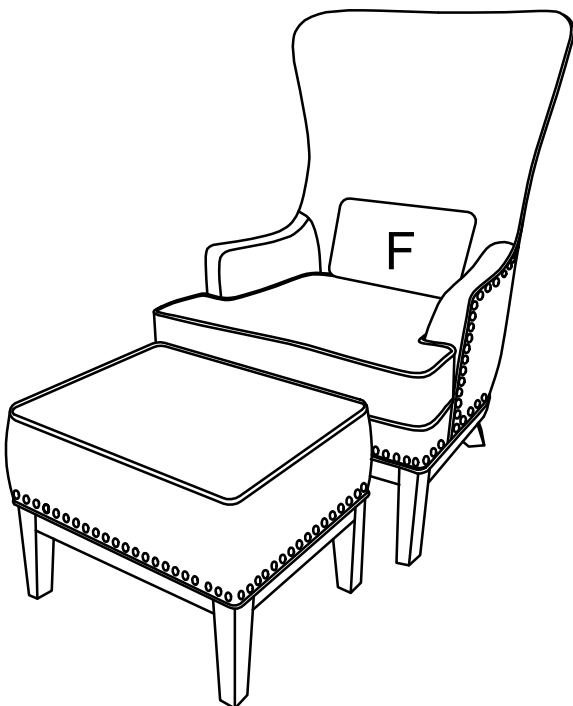


ASSEMBLY INSTRUCTION

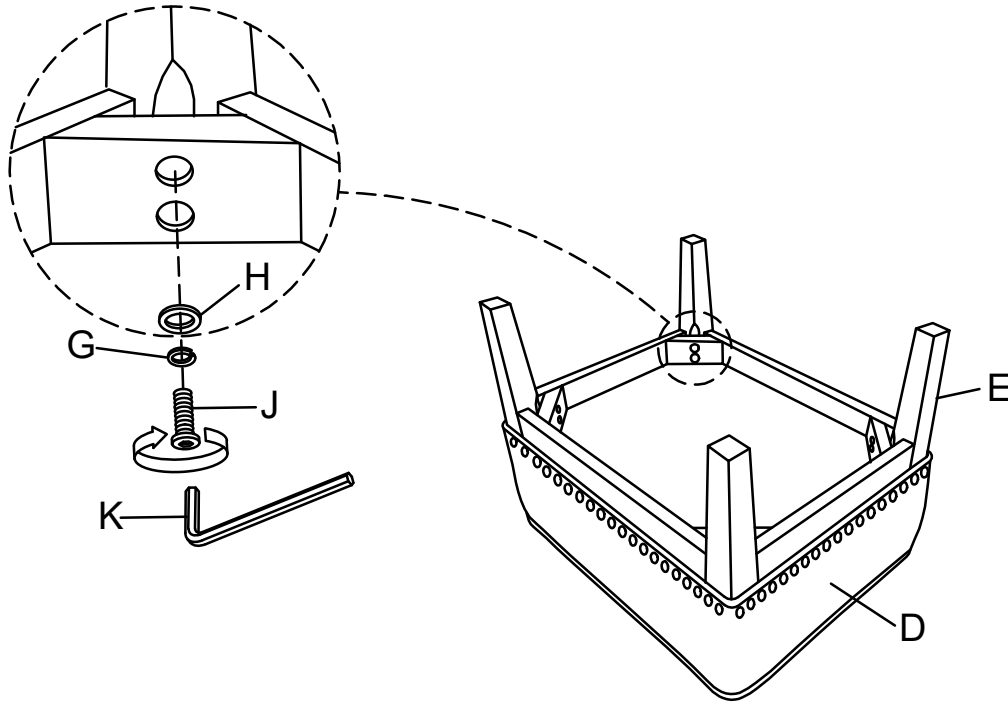
ACCENT CHAIR WITH OTTOMAN

A Chair Body	B Front Leg	C Back Leg	D Ottoman Body
			
1pc	2pcs	2pcs	1pc
E Ottoman Leg	F Pillow	G Lock Washer Ø5/16"x13mm	H Flat Washer Ø5/16"x19mm
			
4pcs	1pc	16pcs	16pcs
I Bolt Ø5/16"x2"	J Bolt Ø5/16"x2-1/2"	K Allen Key M5	
			
4pcs	12pcs	1pc	

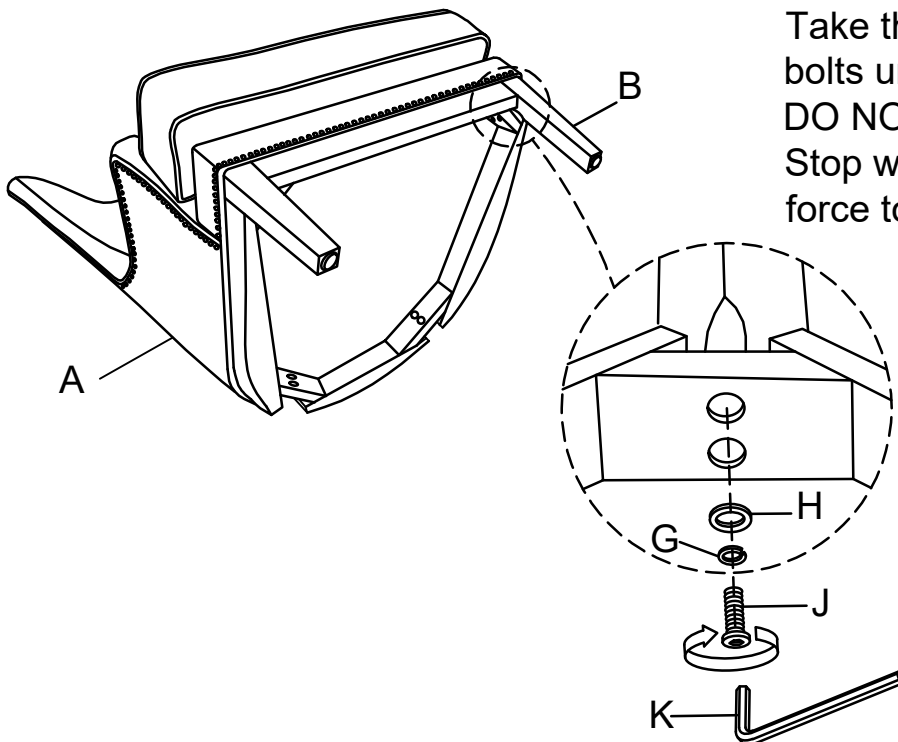


This page lists all the contents included in the box. Please take the time to identify the hardware as well as the individual components to this product. As you unpack and prepare for assembly, place the contents on a carpeted or padded area to protect them from damage.

- 1** Put Ottoman (D) on a smooth flat surface, attach the Ottoman Leg (E) to the Ottoman Body (D) using the Bolt (J), Lock Washer (G), Flat Washer (H) in both holes of Ottoman Leg (E) and Ottoman Body (D), turn the Allen Key (K) in Bolt (J).



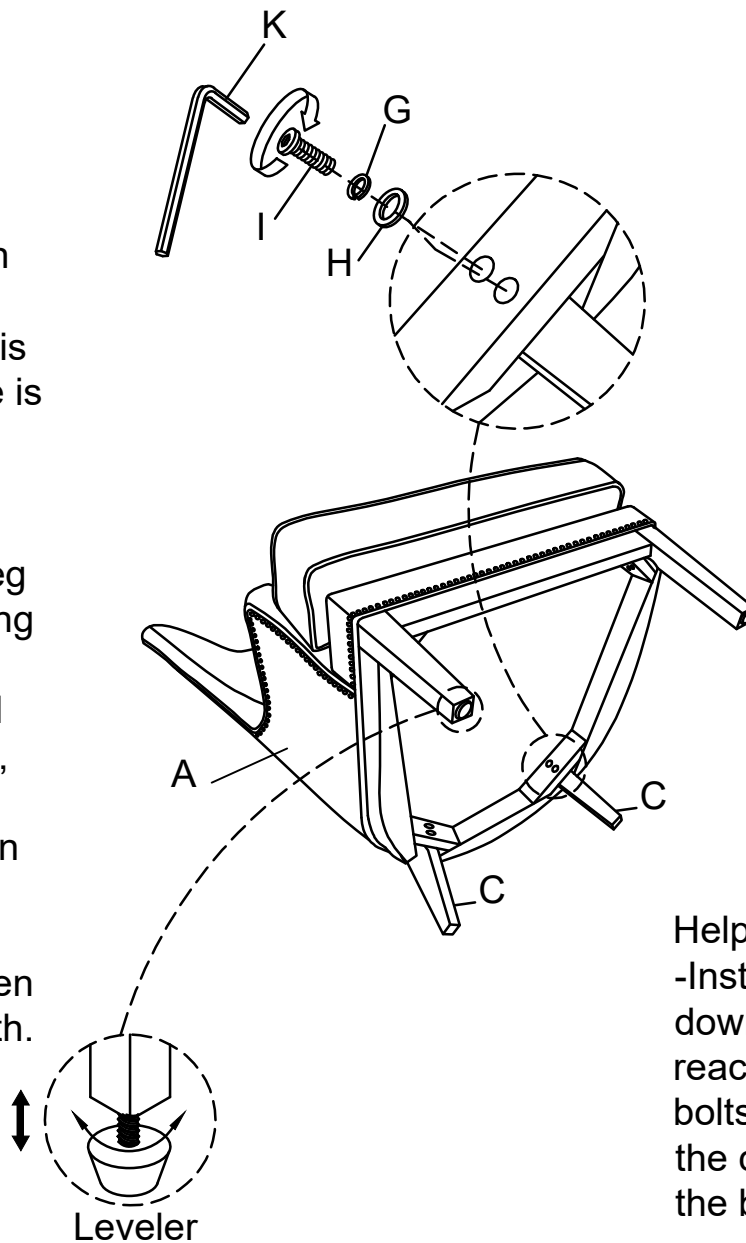
- 2** Put the Chair Body (A) on a smooth flat surface, attach the Front Leg (B) to the Chair Body (A) using the Bolt (J), Lock Washer (G), Flat Washer (H) in both holes of Front Leg (B) and Chair Body (A), turn the Allen Key (K) in Bolt (J).



Take the Allen Key, and turn the bolts until the legs are secure. **DO NOT TIGHTEN COMPLETELY.** Stop when you feel you are adding force to tighten the bolt.

3 Then attach the Back Leg (C) to the Chair Body (A) using the Bolt (I), Lock Washer (G), Flat Washer (H) in both holes of Back Leg (C) and Chair Body (A), turn the Allen Key (K) in Bolt (I).

Stand chair up on an even surface and check that it is balanced. If there is a slight wobble, apply downward pressure in the corner where a leg is uneven. Keeping pressure in that corner, tighten all bolts. If balanced, apply downward pressure evenly in the center and tighten all bolts. Do not over-tighten beyond hole depth.



Helpful Tip:
-Instead of applying downward pressure while reaching under to tighten bolts, have someone sit in the chair while you tighten the bolts.

Turn left or turn right to adjust the leveler until the chair is stabilized.

Cleaning & Care

Treat surface with care. Surface is resistant to scratches but is not scratch resistant. Clean surfaces with a dry or damp soft cloth. Do not use abrasive cleaners. Hardware may loosen over time. Periodically check that all connections are tight.