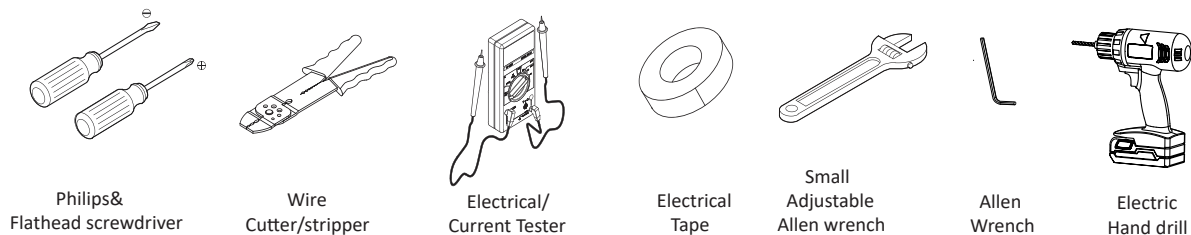


### PREPARATION

1. Record your model number for future reference.
2. **DANGER: Risk of electric shock.** To avoid electric shock, the power must be turned off at the circuit breaker or fuse box before beginning the installation procedure.
3. **DANGER: Risk of electric shock.** To avoid electric shock, the outlet box must be properly grounded.
4. **Important Information.** Inspect the product for any damage. This product is for indoor use only. Observe all local codes.
5. **Caution:** To avoid the risk of personal injury or damage to the product or other property, do not install additional downrods or hang chain extensions to fixture beyond what is included in the original product packaging.
6. **Important:** When mounting onto a sloped ceiling, mount the fixture so that the length of the fixture is oriented against the slope, not up it.

Please see next page for a larger installation image

### TOOLS AND MATERIALS NEEDED



### FIXTURE INSTALLATION

1. Remove the fixture and parts bag(s) from the carton. Put them onto a clean and soft cloth to protect finish. Confirm all parts are included.
2. Loosen thumbscrews (I) and remove mounting plate (B) from canopy (G).
3. Attach mounting plate (B) onto outlet box with screws (D) and mark all anchor holes position on the wall. Then loosen screws (D) and take down mounting plate. Drill anchor holes in dia. 1/4" for concrete ceiling or Dia. 3/8" for drywall/wood ceiling.
4. Insert anchors (K) or (K1) into ceiling (K1 for drywall/wood, K for concrete ceiling).
5. Determine what height you want the fixture to rest at by mixing and matching the downrods (M, N, O and P).
6. Thread wire (Q) and ground wire through desired downrods (P, O, N and M) and loop (H). Then, tighten the rods together to attach to housing (R).
7. Connect chains (J) onto loops (H). Then, thread wire (Q) and ground wire through loop (H), and canopy (G). Trim excess cord to minimum 13" beyond canopy (G). Strip wire 5/8" at the end, and twist.
8. Attach mounting plate (B) onto outlet box with screws (D) and tapping screws (L). Ensure ground screw (C) is attached to mounting plate (B).
9. **NOTICE:** To avoid short circuit, make sure wires are not exposed. Fasten driver DC output positive wire(red) to positive wire (no ridges and with text) from fixture with wire nut(A). Wrap the wire connector with electrical tape so that the tape seals the end of wire nut (A). See diagram 1.
10. **NOTICE:** To avoid short circuit, make sure wires are not exposed. Fasten driver DC output negative wire(yellow) to negative wire (with ridges and no text) from fixture with wire nut(A). Wrap the wire connector with electrical tape so that the tape seals the end of wire nut (A). See diagram 1.
11. **NOTICE:** To avoid short circuit, make sure wires are not exposed. Fasten fixture bare ground wire to the green ground wire in canopy with wire nut (A). Wrap the wire connector with electrical tape so that the tape seals the end of wire nut (A). See diagram 1.
12. Lift fixture and lace safety cord (F) around mounting plate (B), then secure set screw (E) with Allen wrench.
13. **NOTICE:** To avoid short circuit, make sure wires are not exposed. Fasten the canopy green or bare ground wire to the green or bare copper wire in outlet box with wire nut (A) or fasten onto ground screw (C) on mounting plate.
14. **NOTICE:** To avoid short circuit, make sure wires are not exposed. Fasten driver white wire(AC) to the white wire in outlet box with wire nut (A). Wrap the wire connector with electrical tape so that the tape seals the end of wire nut (A). See diagram 1.

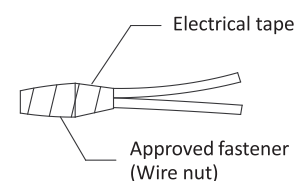
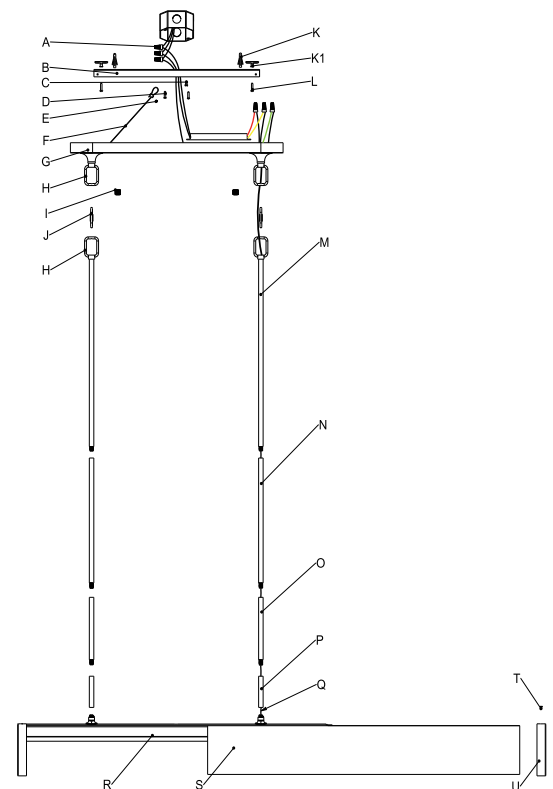


Diagram 1

15. **NOTICE:** To avoid short circuit, make sure wires are not exposed. Fasten driver black wire(AC) to the black wire in outlet box with wire nut (A). Wrap the wire connector with electrical tape so that the tape seals the end of wire nut (A). See diagram 1.
16. Tuck wires carefully inside outlet box. Lift fixture then attach canopy (G) onto mounting plate (B) with thumbscrews (I).
17. Loosen screw (T) then remove cover (U) from housing (R). Insert glass shade (S) into housing (R) along slot. Install cover (U) onto housing (R) and Shade (S) with screw (T).
18. **NOTICE:** Rated **Max 40 W, LED.** (LED light engine included).
19. Restore power to circuit at breaker or fuse box.

**FCC Information:**

This device complies with Part 15 of the FCC Rules. Operation is subject to the following two conditions:

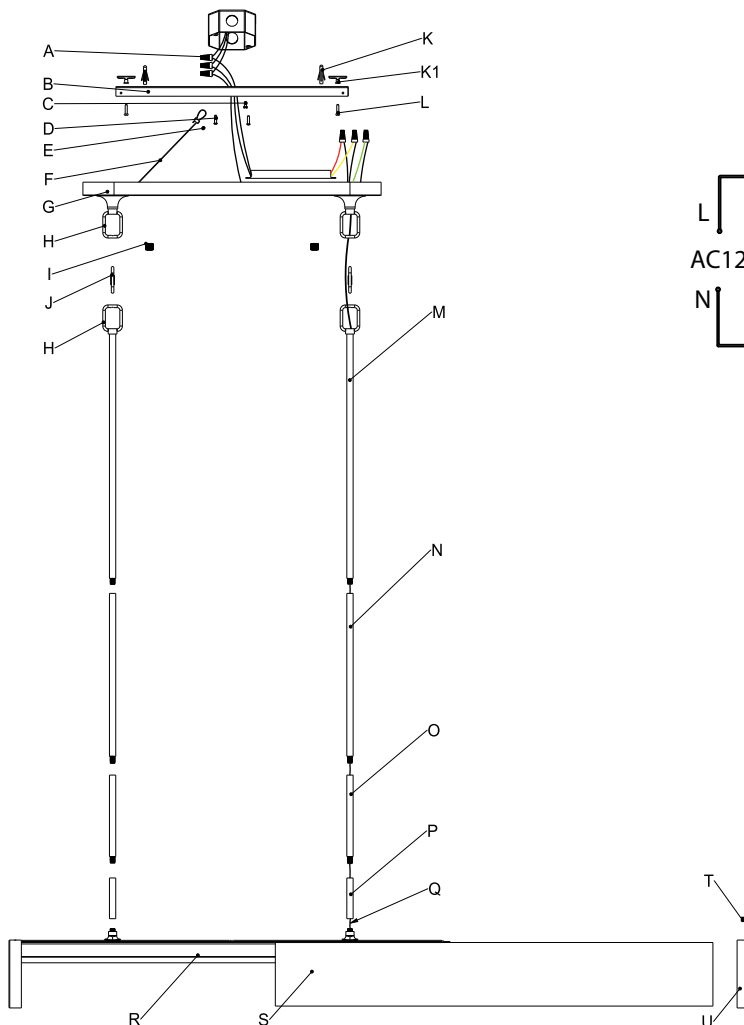
1. This device may not cause harmful interference, and
2. This device must accept any interference received, including interference that may cause undesired operation.

Changes or modifications not expressly approved by the party responsible for compliance could void the user's authority to operate the equipment.

This equipment has been tested and found to comply with the limits for a Class B digital device, pursuant to Part 15 of the FCC Rules. These limits are designed to provide reasonable protection against harmful interference in a residential installation. This equipment generates, uses, and can radiate radio frequency energy and, if not installed and used in accordance with the instructions, may cause harmful interference to radio communications. However, there is no guarantee that interference will not occur in a particular installation. If this equipment does cause harmful interference to radio or television reception, which can be determined by turning the equipment off and on, the user is encouraged to try to correct the interference by one of the following measures:

- Reorient or relocate the receiving antenna.
- Increase the separation between the equipment and receiver.
- Connect the equipment into an outlet on a circuit different from that to which the receiver is connected.
- Consult the dealer or an experienced radio/TV technician for help.

This Class B lighting equipment complies with Canadian ICES-005.



Wire diagram

