

Features

- Single Cylindrical handle allows for both volume and temperature control
- KOHLER® ceramic disc valves exceed industry longevity standards for a lifetime of durable performance
- Includes pop-up drain
- 1.2 gpm (4.5 lpm) maximum flow rate at 60 psi (4.14 bar)
- 7-1/8" (181 mm) spout reach
- Ideal for vessel sink applications
- Coordinates with Composed faucets, accessories, and showering components to complete your bathroom

Material

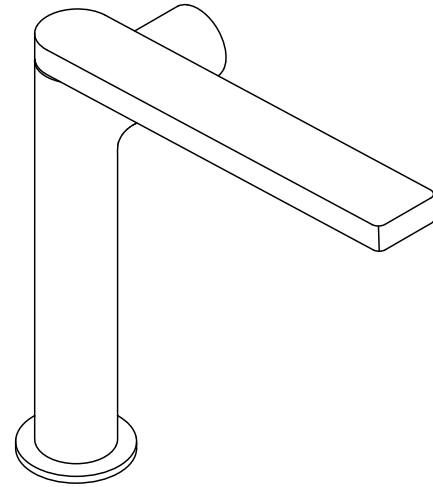
- Premium metal construction for durability and reliability
- KOHLER finishes resist corrosion and tarnishing

Installation

- Single-hole mounting
- Preattached flexible supply lines simplify installation

Recommended Products/Accessories

K-23726 Drain treatment



Codes/Standards

ASME A112.18.1/CSA B125.1
NSF/ANSI/CAN 61
NSF/ANSI/CAN 372
DOE - Energy Policy Act 1992
EPA WaterSense®
California Energy Commission (CEC)
ADA
ICC/ANSI A117.1

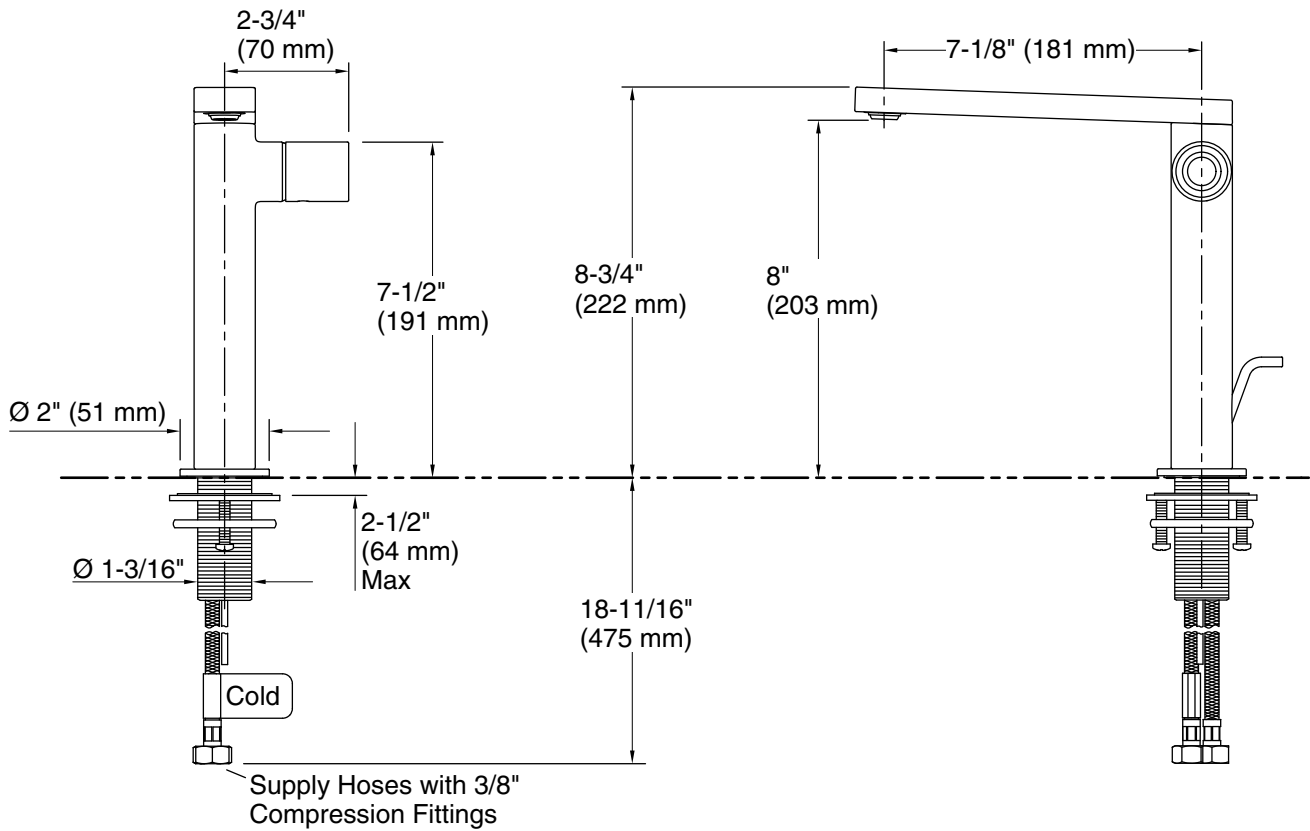
KOHLER® Faucet Lifetime Limited Warranty

See website for detailed warranty information.

Available Colors/Finishes

Color tiles intended for reference only.

| Color | Code | Description |
|-------|------|--------------------------------|
| | CP | Polished Chrome |
| | SN | Vibrant® Polished Nickel |
| | AF | Vibrant® French Gold |
| | BN | Vibrant® Brushed Nickel |
| | BV | Vibrant® Brushed Bronze |
| | BL | Matte Black |
| | 2MB | Vibrant® Brushed Moderne Brass |
| | TT | Vibrant® Titanium |



Technical Information

All product dimensions are nominal.

Faucet flow rate: 1.2 gal/min (4.5 l/min)

Drain included: Yes

Drain with overflow: Yes

Spout:

Spout reach: 7-1/8" (181 mm)

Notes

Install this product according to the installation guide.

ADA compliant for handles only.

ADA compliant when installed to the specific requirements of these regulations.