



bestchoiceproducts



# INSTRUCTION MANUAL

---

Hanging Porch Bench



bestchoiceproducts

---

As shoppers, we're always trying to find the perfect balance between quality & value. At BCP, we believe we've achieved that. Our diverse catalog of everyday essentials is tailored especially to our customers & guaranteed to hit that sweet spot of high quality & low price.

— Always. —

## ! NOTICE

Please retain these instructions for future reference.

- Please do not exceed the weight limitations of this item.
- Do not seat more than 2 people on this item at a time.
- Do not stand on or use any part of this item as a step ladder.
- Firmly secure all bolts, screws, and knobs before use.
- Reconfirm that all bolts, screws, and knobs are secure every 90 days.
- Fasten screws loosely during initial assembly. Do not firmly tighten until the item is completely assembled.
- Do not use or store this item in proximity to an open flame or flammable/combustible chemicals.
- Be aware that some parts are heavy and have sharp edges.
- If any parts are missing, broken, damaged, or worn, stop using this product until repairs are made and/or factory replacement parts are installed.
- This product does not come with mounting hardware; please purchase additional hardware before installing this product in your home.
- Do not use this item in a way inconsistent with the manufacturer's instructions as this could void the product warranty.

## TOOLS REQUIRED



ALLEN WRENCH  
(PROVIDED)



550 LBS  
CAPACITY



1 PERSON  
ASSEMBLY



UP TO 30 MIN.  
ASSEMBLY

## HARDWARE

1

M6 X 25MM  
SCREW

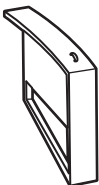


13 PCS

## PARTS

A

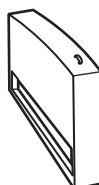
RIGHT ARMREST



1 PC

B

LEFT ARMREST



1 PC

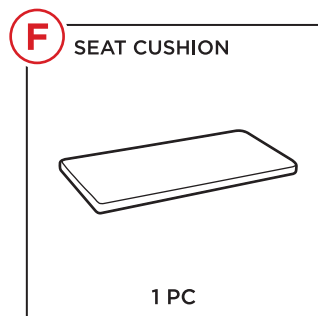
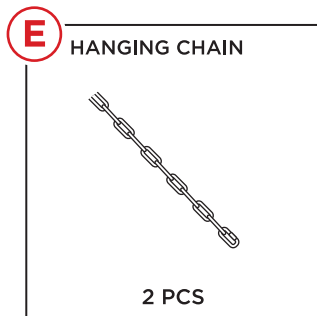
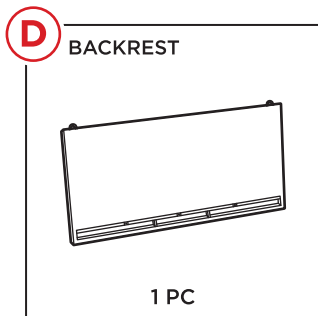
C

SEAT



1 PC

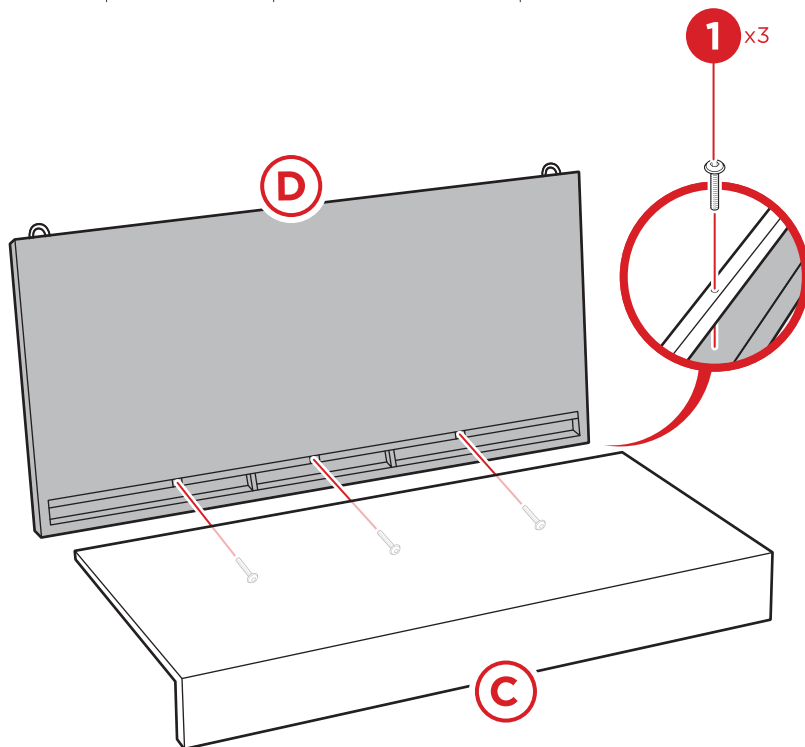
## PARTS



## PRODUCT ASSEMBLY

**1**

Attach the part C seat to the part D backrest with three part 1 bolts.

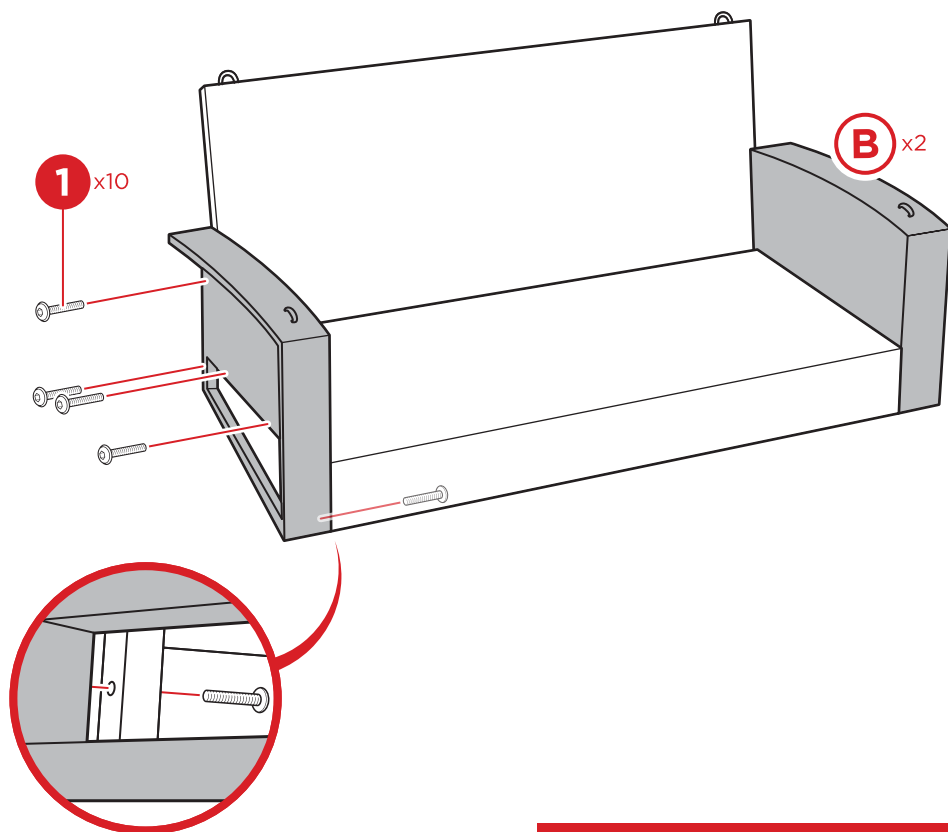


## PRODUCT ASSEMBLY

2

Attach the part A armrest to the seat and backrest with five part 1 bolts.

Repeat to attach the part B armrest.

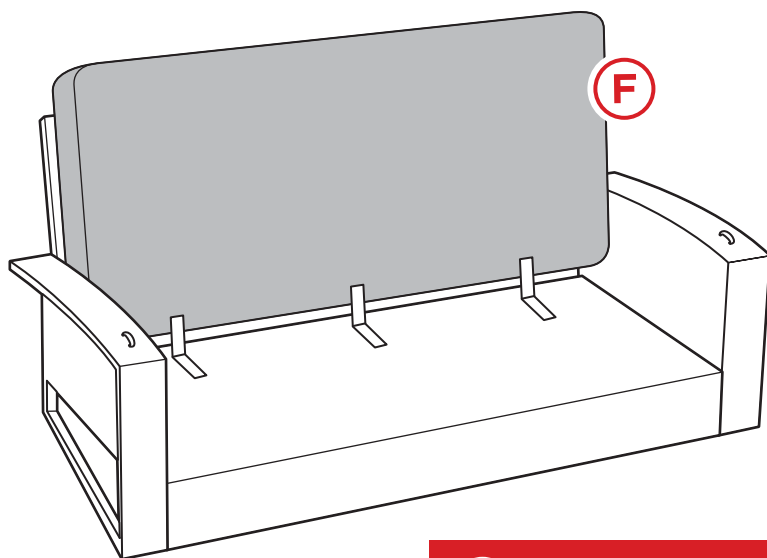


The fifth bolt must be attached through a connector between the bottom of the seat and the side of the armrest.

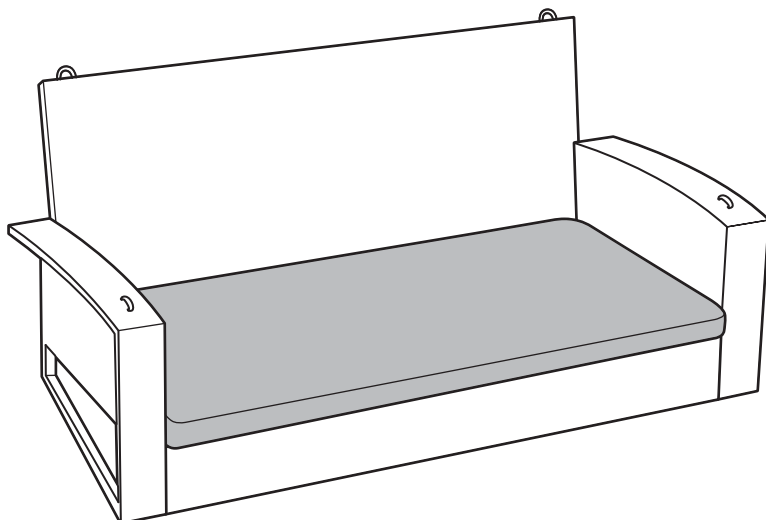
## PRODUCT ASSEMBLY

3

Place the part F seat cushion on the part C seat.



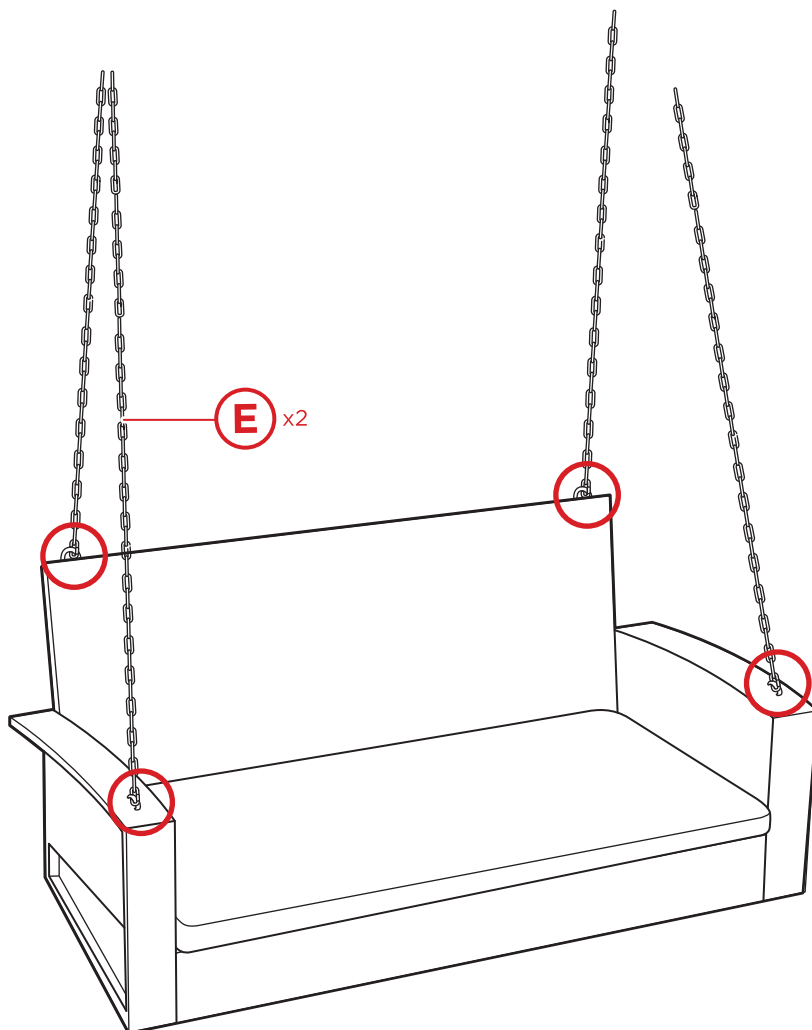
There are two sets of self-adhering strips on the seat and the cushion, overlap both sets for added stability.



## PRODUCT ASSEMBLY

4

Locate the part E hanging chains and use the built-in carabiners to attach the chains to the hooks on the back and armrests.



5

The product is now assembled. Select a location and connect the hanging chains to a set of mounting bolts (not included) and enjoy.



# HELP CENTER



Question about your product? We're here to help. Visit us at:

[help.bestchoiceproducts.com](http://help.bestchoiceproducts.com)



Product Assembly



Returns & Refunds

## PRODUCT WARRANTY INFORMATION

All items can be returned for any reason within 60 days of the receipt and will receive a full refund as long as the item is returned in its original product packaging and all accessories from its original shipment are included. All returned items will receive a full refund back to the original payment method. All returned items will not be charged a re-stocking fee.

All returned items require an RA (Return Authorization) number, which can only be provided by a Best Choice Products Customer Service Representative when the return request is submitted. Items received without an RA may not be accepted or may increase your return processing time. Once an item has been received by Best Choice Products, refunds or replacements will be processed within 5 business days.

All returns must be shipped back to the Best Choice Products Return Center at the customer's expense. If the reason for return is a result of an error by Best Choice Products then Best Choice Products will provide a pre-paid shipping label via email. Boxes for return shipping will not be provided by Best Choice Products, and is the customer's responsibility to either use the original shipping boxes or purchase new boxes.

Pictures may be required for some returns to ensure an item is not damaged prior to its return. Items returned are not considered undamaged until they are received by Best Choice Products and verified as such. All damages to items are the customer's responsibility until the item has been received by and acknowledge by Best Choice Products as undamaged.

## WARNING

Manufacturer and seller expressly disclaim any and all liability for personal injury, property damage or loss, whether direct, indirect, or incidental, resulting from the incorrect attachment, improper use, inadequate maintenance, unapproved modification, or neglect of this product.