

CONTENTS

- Tools Needed - **2**
- Parts - **2**
- Dimensions - **3**
- Ganging Cabinets - **4**
- Recess Mounting - **5**
- Final Assembly - **7**
- Use and Maintenance - **7**
- Warranty - **8**

GENERAL INFORMATION

This instruction manual contains information on how to gang and recess mount the PL Portray Series cabinets. This series comes in many sizes. Refer to the specific model numbers for dimensions. These cabinets are modular and can be mounted with lighting.

Read the specific instruction for how your cabinet(s) will be mounted. The cabinets can be surface mounted or recess mounted.

Save these instructions for future use and reference. An improper installation voids the warranty. Installed cabinets cannot be returned.

If you experience any problems with your cabinet, contact your dealer or Robern directly.

Limited Warranty — One Year Term

[Scan the QR code to see the entire PL Portray Series of cabinets.](#)



Use the camera app on your mobile device to look at this and other QR codes. This will allow you to quickly access web pages and other relevant documents.

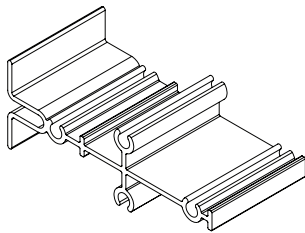
TOOLS NEEDED



PARTS

NOTE: Refer back to the cabinet installation manual (209-1350) for a complete list of parts included with your cabinet.

[Quickly access the cabinet installation manual by scanning the QR code.](#)



[R349-01-375M]
(4) Ganging Blocks

[216-1206] Ganging - Recess Mount Kit



[SS134]
(20) Hole Plugs



[SS672]
(20) Screw Caps



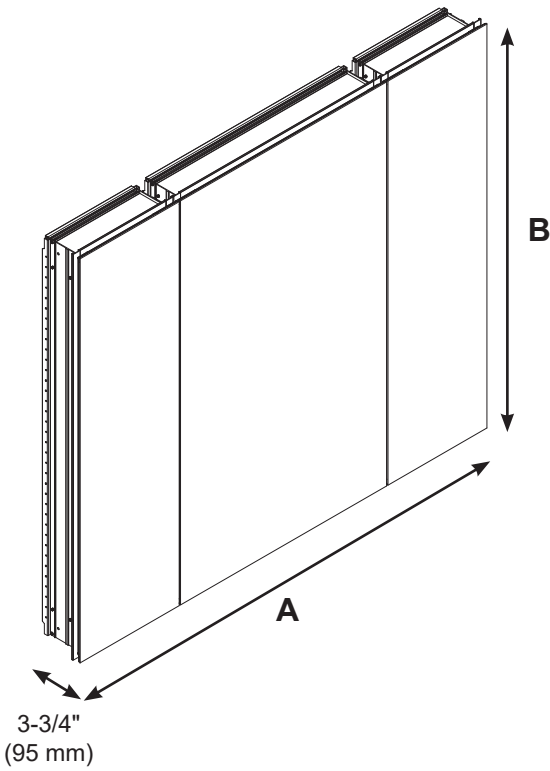
[SS676]
(20) 1/2" Screws

Depending on installation, not all parts will be used.

DIMENSIONS

Determine overall cabinet dimensions. If recessing cabinet, determine rough-in dimensions. See chart for specific model dimensions.

NOTE: Subtract 3/4" (19mm) from the total width and height (A and B) to determine the rough opening for recessing cabinets.



Rough Opening Width = Combined Cabinet Width* - 3/4" (19 mm)

Rough Opening Height = Cabinet Height - 3/4" (19 mm)

*Add widths (A) for all cabinets to be ganged

Example 1:

Two 24" wide cabinets
 $(23-1/4" + 23-1/4") - 3/4" = 45-3/4"$

Example 2:

Two 12" wide cabinets and One 24" wide cabinet
 $(11-1/4" + 11-1/4" + 23-1/4") - 3/4" = 45"$

Example 3:

Two 24" wide cabinets and three Inline lights
 $(3.5" + 23-1/4" + 3.5" + 23-1/4" + 3.5") - 3/4" = 56-1/4"$

Rough Opening (RO) for recessed installation in chart below

Number in the column headings below reference the cabinet dimensions from the model number, width and height (WWHH)

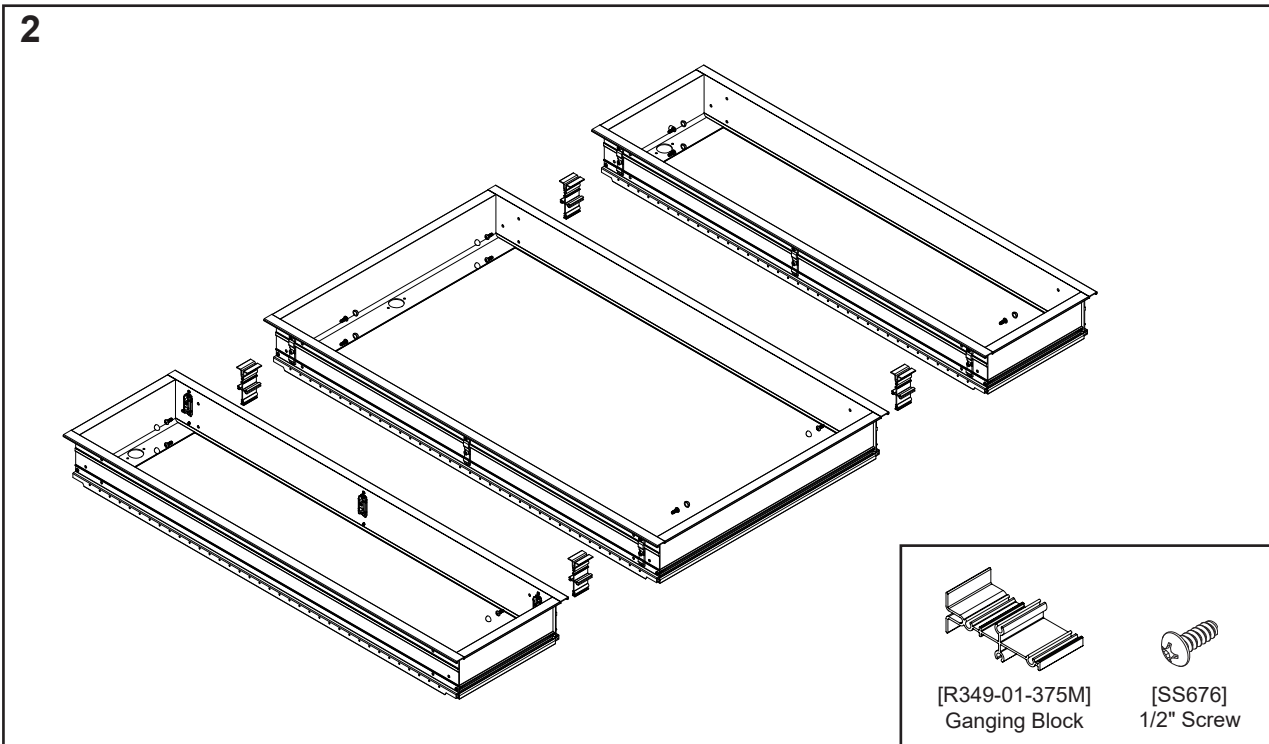
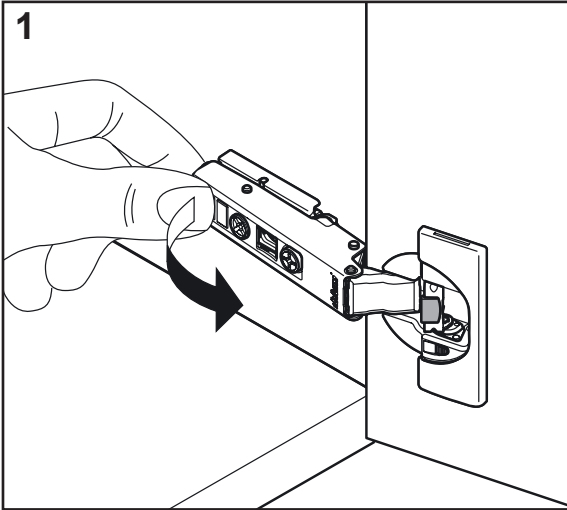
	1230	1236	1240	1620	1626	1630	1636	1640	2030	2036	2040	2430	2436	2440
A	11-1/4" (286 mm)	11-1/4" (286 mm)	11-1/4" (286 mm)	15-1/4" (388 mm)	15-1/4" (388 mm)	15-1/4" (388 mm)	15-1/4" (388 mm)	15-1/4" (388 mm)	19-1/4" (489 mm)	19-1/4" (489 mm)	19-1/4" (489 mm)	23-1/4" (591 mm)	23-1/4" (591 mm)	23-1/4" (591 mm)
B	30" (762 mm)	36" (915 mm)	39-3/8" (1001 mm)	20" (508 mm)	26" (661 mm)	30" (762 mm)	36" (915 mm)	39-3/8" (1001 mm)	30" (762 mm)	36" (915 mm)	39-3/8" (1001 mm)	30" (762 mm)	36" (915 mm)	39-3/8" (1001 mm)

GANGING CABINETS

Before beginning installation remove and set the door aside in a safe place.

NOTE: The cardboard sleeve attached to the door protects the edges and corners of the door during installation.

1. Remove door from cabinet by taking the hinges off of the mounting plates.
2. On a flat surface, lay the cabinet boxes side by side and attach to one another using the ganging blocks [R349-01-375M] and screws [SS676].



RECESS MOUNTING

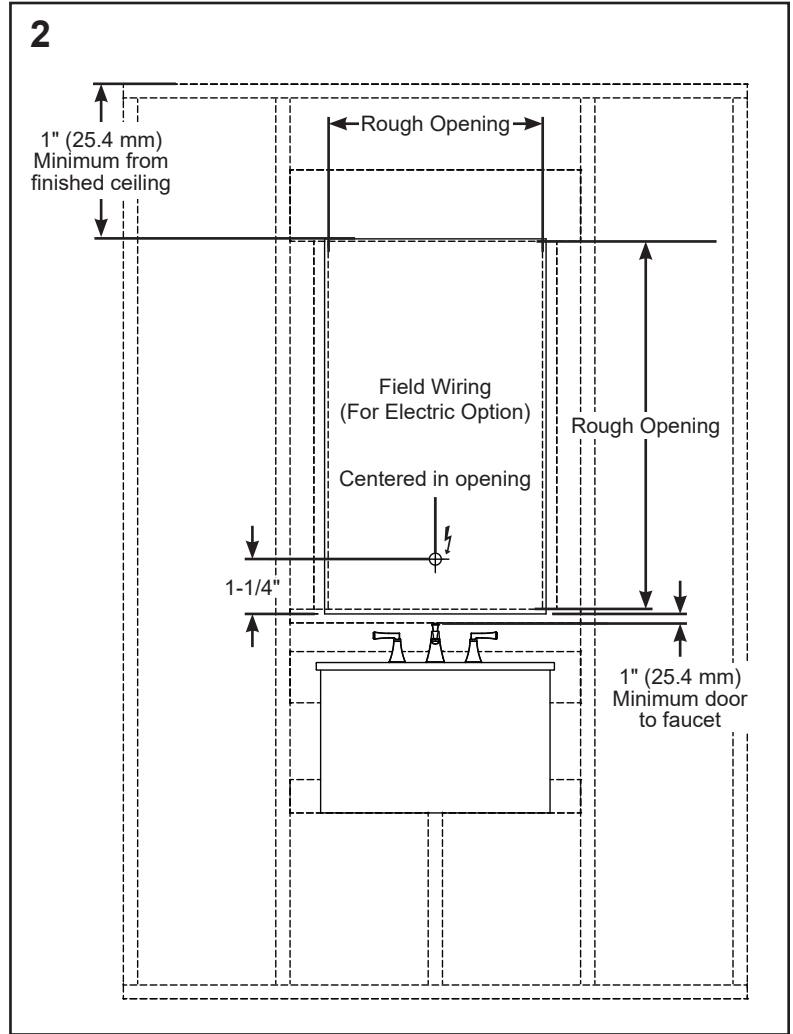
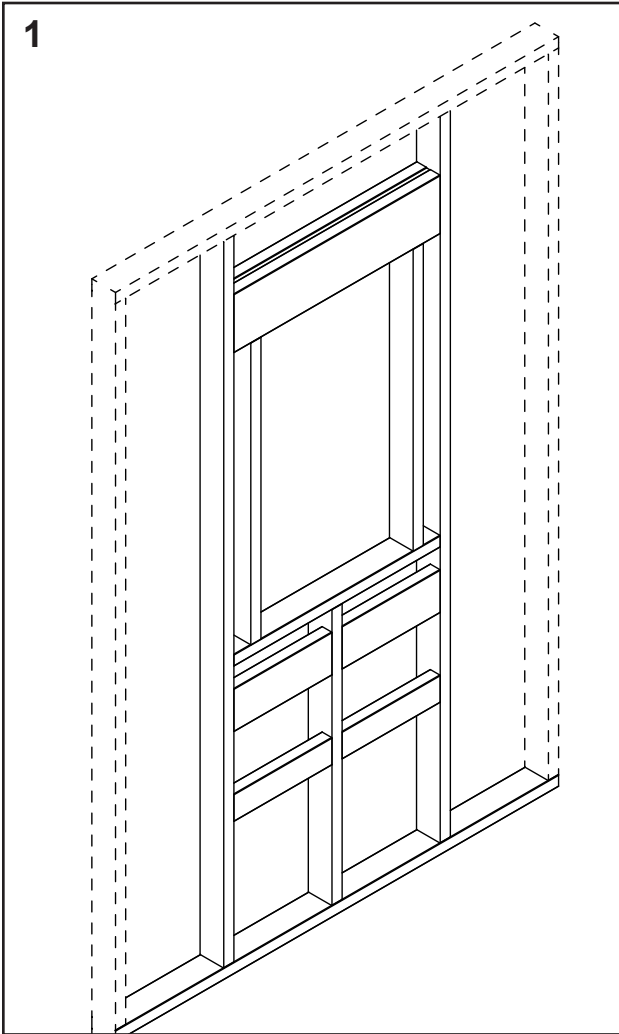
These instructions are for recess mounting your cabinet.

1. Make rough opening and frame on all sides. Find the specific model dimensions to make rough opening (page 3).

NOTE: Ensure that the cabinets are mounted so that the doors have at least 1" (25mm) clearance from the top of the faucet and at least 1" (25mm) clearance from the ceiling.

2. Electrical Option Cabinets: Provide a separate electrical connection for electrical options and lighting. Pull electric wire through the hole. Be sure to provide enough wire to make proper and safe connections to Portray Electric Upgrade.

WARNING: An Electrical option cabinet must be wired to a Class A 20 Amp GFCI (Ground Fault Circuit Interrupter) protected circuit when used in bathrooms and all other locations required by the National Electric Code.



RECESS MOUNTING

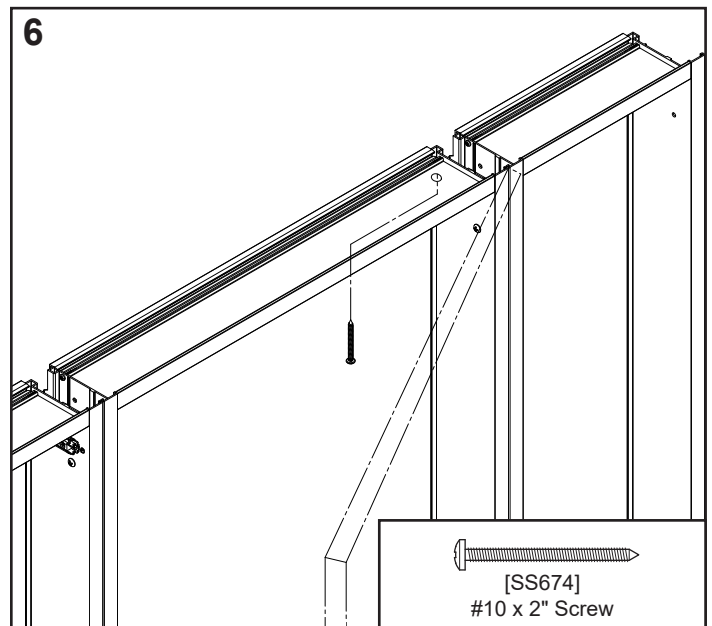
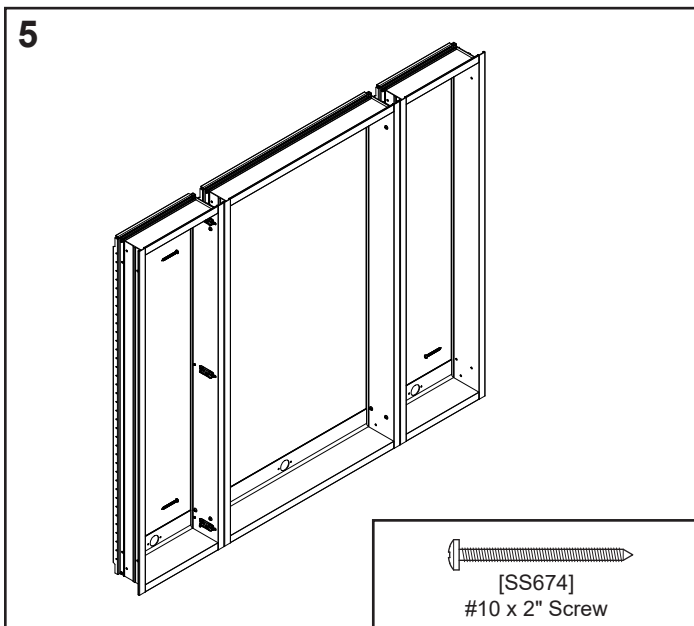
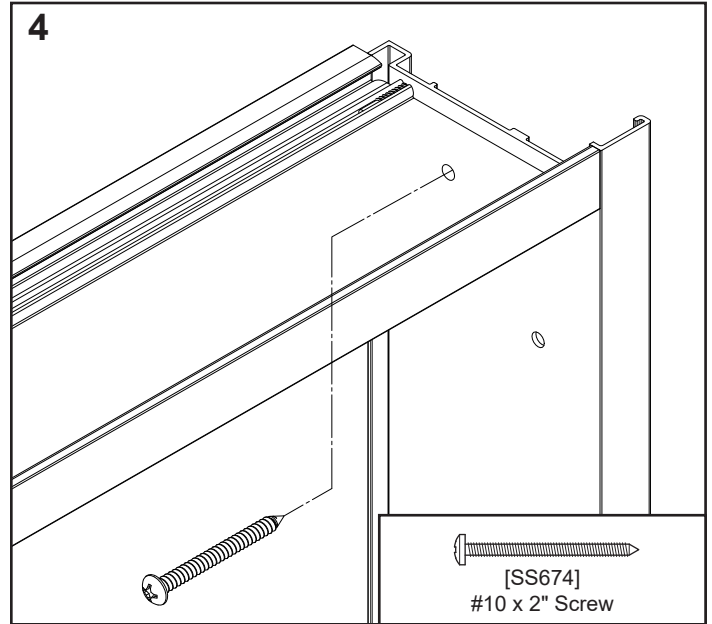
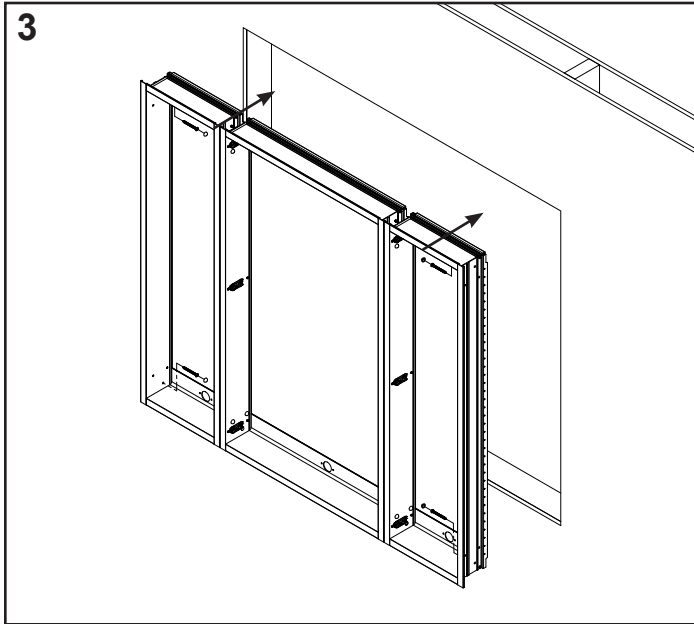
3. Place cabinets in rough opening and make sure they are installed square, plumb, and level.

4. Install a #10 X 2" screw [SS674] through top mounting hole in cabinet side and screw into wall stud as shown. Do not over-tighten screws or cabinet box may deform.

NOTE: The #10 x 2" screw [SS674] is included in the hardware bag that came with the cabinet.

5. Once cabinets are installed square, plumb, and level, install #10 X 2" screws into wall studs through the three remaining mounting holes. Do not over tighten screws.

6. Drill one additional mounting hole at the top of the center cabinet (nearer to the hinge side of the cabinet) and install a #10 x 2" screw [SS674] into the wall header.



robern

© 2020 Robern, Inc. 701 N. Wilson Ave. Bristol, PA 19007 U.S.A.
800.877.2376 www.robern.com

Installation instructions

Part no. CB-209-1349 10/30/20
PL Portray Series Cabinet Ganging Recess Mount Kit

FINAL ASSEMBLY

To complete installation, follow the instructions for final assembly in your cabinet's installation manual.

[Quickly access the cabinet installation manual by scanning the QR code.](#)



USE AND MAINTENANCE

CAUTION: Maximum shelf load 34 LBS

The cabinet door and interior are constructed of mirrored glass and aluminum. Use only a damp cloth to clean. Ammonia or vinegar-based cleaners can damage mirrors.

A 50/50 solution of water and isopropyl alcohol is recommended for cleaning the mirrors. A mild detergent may be used on the surfaces.

When cleaning, spray the cloth, not the cabinet, mirror, or surround surfaces. Do not use abrasive cleansers on any part of the light fixture.

NOTE: Do not store items in the cabinet area directly behind the hinge as damage may occur to cabinet or items.

No Ammonia
No Vinegar



WARRANTY

Limited Warranty One Year Term

ROBERN warrants to the original purchaser that, it will, at its election repair, replace, or make appropriate adjustment to products made by this company shown to have significant defects in material or workmanship which are reported to ROBERN in writing within one (1) year from the date of delivery. ROBERN is not responsible for installation costs. The warranty is void in the event the product is damaged in transit, or if damage or failure is caused by abuse, misuse, abnormal usage, faulty installation, damage in an accident, improper maintenance, or any repairs other than those authorized by ROBERN. At the expiration of the one year warranty period, ROBERN shall be under no further obligation under any warranty, expressed or implied, including the implied warranty of merchantability. ROBERN shall not be liable for any consequential damages arising out of or in connection with the use or performance of its products. Some states do not allow limitations on how long an implied warranty lasts or do not allow the exclusion or limitation of incidental or consequential damages, so the above limitation or exclusion may not apply to you. Any liability against ROBERN under any implied warranty, including the warranty of merchantability, is expressly limited to the terms of this warranty. Permission to return any merchandise under this warranty must be authorized by ROBERN and returned prepaid by the purchaser. Claims under this warranty should be sent directly to your dealer.

©2020 ROBERN, INC.

ALL RIGHTS RESERVED