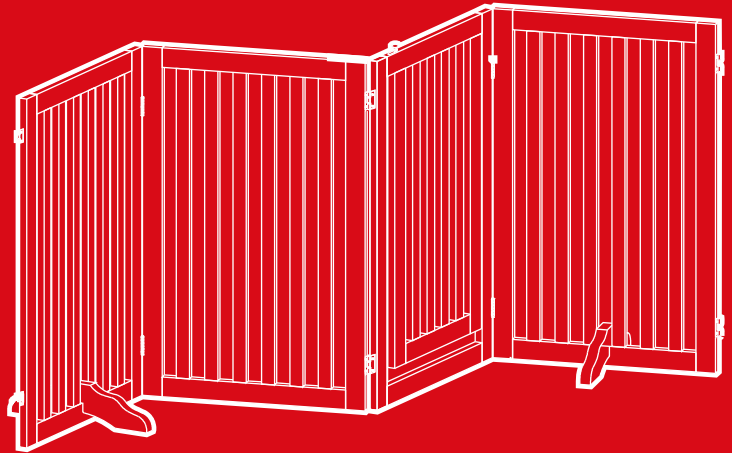




bestchoiceproducts



# INSTRUCTION MANUAL

---

4-Panel Dog Gate

## ! NOTICE

- This product should be assembled by an adult.
- Do not allow children to play around the assembly area.
- This product should be used on a smooth, flat surface.
- This product is intended for pet use only.
- Do not stand or sit on this product.
- Do not stand on or use any part of this item as a step ladder.
- Do not use or store this item in the proximity of open flame or flammable/combustible chemicals.
- Be aware that some parts are heavy and have sharp edges.
- If any parts are missing, broken, damaged, or worn, stop using this item until repairs are made and/or factory replacement parts are installed.
- Do not use this item in a way inconsistent with the manufacturer's instructions as this could void the product warranty.

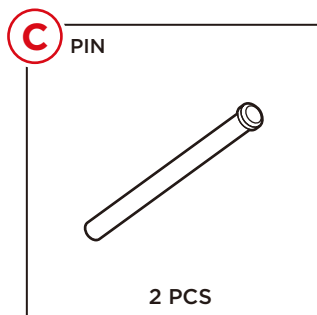
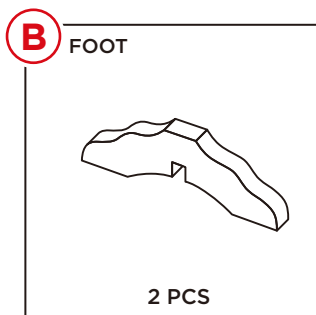
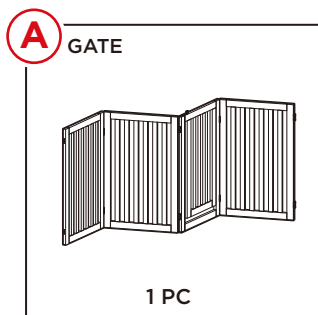


1 PERSON  
ASSEMBLY



APPROXIMATELY  
5 MIN.  
ASSEMBLY

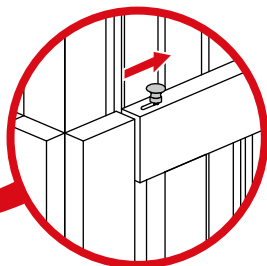
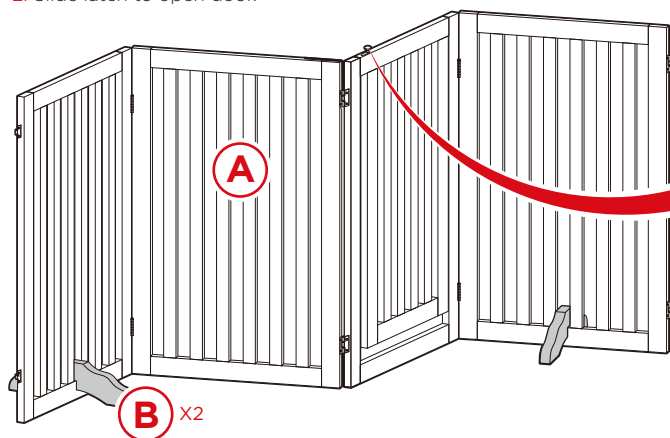
## PARTS



## PRODUCT ASSEMBLY

Please retain these instructions for future reference.

1. Place two part B feet in between the posts.
2. Slide latch to open door.

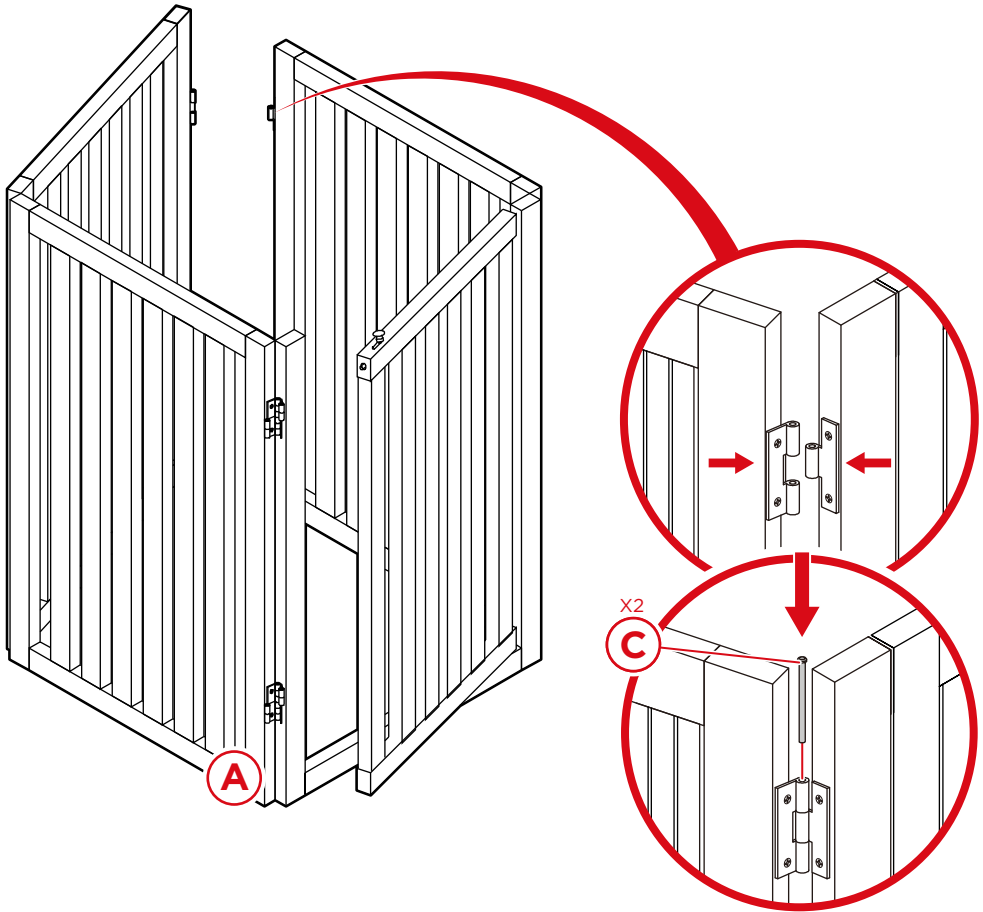


If necessary,  
loosen screws to  
adjust hinges.

## ALTERNATIVE SET-UP

1. Arrange gate panels to form an enclosure.
2. Slide corresponding hinge parts together. Insert two part C pins into the hinges to connect panels.

**NOTE:** To expand enclosure, buy additional 4-panel dog gates and connect them together.





# HELP CENTER



Question about your product? We're here to help. Visit us at:

[help.bestchoiceproducts.com](http://help.bestchoiceproducts.com)



Chat Support



Product Inquiry



Orders FAQ



Product Assembly



Returns & Refunds

## PRODUCT WARRANTY INFORMATION

All items can be returned for any reason within 60 days of the receipt and will receive a full refund as long as the item is returned in its original product packaging and all accessories from its original shipment are included. All returned items will receive a full refund back to the original payment method. All returned items will not be charged a re-stocking fee.

All returned items require an RA (Return Authorization) number, which can only be provided by a Best Choice Products Customer Service Representative when the return request is submitted. Items received without an RA may not be accepted or may increase your return processing time. Once an item has been received by Best Choice Products, refunds or replacements will be processed within 5 business days.

All returns must be shipped back to the Best Choice Products Return Center at the customer's expense. If the reason for return is a result of an error by Best Choice Products then Best Choice Products will provide a pre-paid shipping label via email. Boxes for return shipping will not be provided by Best Choice Products, and is the customer's responsibility to either use the original shipping boxes or purchase new boxes.

Pictures may be required for some returns to ensure an item is not damaged prior to its return. Items returned are not considered undamaged until they are received by Best Choice Products and verified as such. All damages to items are the customer's responsibility until the item has been received by and acknowledge by Best Choice Products as undamaged.



## WARNING

Manufacturer and seller expressly disclaim any and all liability for personal injury, property damage or loss, whether direct, indirect, or incidental, resulting from the incorrect attachment, improper use, inadequate maintenance, or neglect of this product.