

5MP HD Wide Fixed Turret Analog Camera with NightLight

TVI5T-NL.2



Introduction

TVI5T-NL.2 is a 5MP NightLight HD fixed turret analog camera with a high-performance 1/2.7-inch CMOS sensor. It supports TVI/AHD/CVI/CVBS, which effectively enhances product adaptability and diversity of networking solutions. With SYV-75-3 or other coaxial cable types, the camera can achieve low-cost, long-distance, and anti-interference mega-pixel HD video transmission without time delay. The camera supports audio input, synchronous transmission of audio and video, and provides 24/7 color images.

Key Features

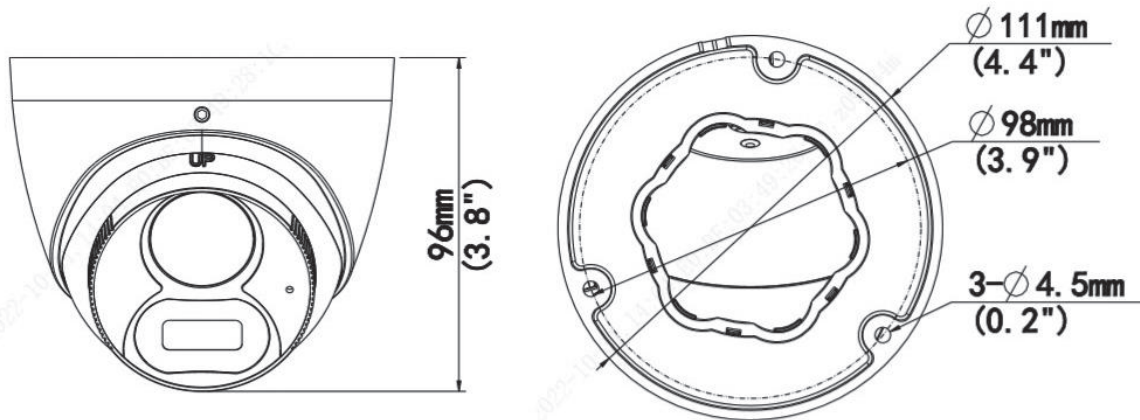
- 5MP high quality imaging
- TVI/AHD/CVI/CVBS
- Supports white light illuminations, 24/7 color images
- Supports 180° horizontal flip, 180° vertical flip
- OSD configuration menu, easy to operate
- IP67 waterproof and dustproof design, high reliability
- Built-in microphone for high quality audio transmission via coaxial cables
- Metal front face and housing
- 3-Axis

Specifications

Model	TVI5T-NL.2
Sensor	
Pixel	5MP
Size	1/2.7"
Minimum illumination	0.005lux (F1.4, AGC ON) 0 lux (white light on)
Lens	
Lens	2.8mm
Lens mount	M12
Angle of view	H: 111.5° V: 58.9° D: 134.8°
Illuminator	
Illuminator	Two white-light illuminators
Illumination distance	40m
Lifetime	≥60,000 hours
Video	
Resolution	5MP@25fps: 2880x1620; 5MP@20fps: 2592x1944; 5MP@12.5fps: 2592x1944 4MP: 2560x1440 1080P: 1920x1080
Frame rate	TVI: 5MP@20fps (default), 5MP@12.5fps, 4MP@30fps, 4MP@25fps, 1080P@30fps, 1080P@25fps AHD: 5MP@20fps, 4MP@30fps, 4MP@25fps, 1080P@30fps, 1080P@25fps CVI: 5MP@25fps, 4MP@30fps, 4MP@25fps, 1080P@30fps, 1080P@25fps CVBS: PAL, NTSC
Shutter time	PAL: 1/25s-1/50000s NTSC: 1/30s 1/50000s
Image	
Exposure mode	Four modes: Global (default), BLC, HLC, DWDR
Day/Night	24/7 color images
Digital noise reduction	2D
White balance	Two modes: Auto (default), Manual
WDR	DWDR
Flip	Supports 180° horizontal flip, 180° vertical flip
Audio	
Microphone	Built-in Mic
Camera audio	TVI: 5MP@20fps, 5MP@12.5fps, 4MP@30fps, 4MP@25fps, 1080P@30fps, 1080P@25fps CVI: 5MP@25fps, 4MP@30fps, 4MP@25fps
Interface	
Power	5.5mm power interface
Video output	BNC, supports TVI/AHD/CVI/CVBS
Operating environment	
Temperature	-30°C to 60°C (-22°F to 140°F)
Humidity	≤95% (RH, non-condensing)
Surge protection	4kV
Ingress protection	IP67

General	
Power	DC12V (±25%), with reverse polarity protection. Max 3.28W
Mount	Surface mount (default), optional junction box and wall mount bracket
Dimensions	Ø111mm x 96mm
Material	Metal and plastic
Weight	356g (0.79lb)
Certification	CB, CE, FCC, UL

Dimensions



Warranty

All Illumivue products come with a 3-year limited liability warranty. This warranty includes parts and labor repairs on all components found to be defective in material or workmanship under normal conditions of use. This warranty shall not apply to products which have been abused, modified, or disassembled. Warranty items only by authorized resellers. Warranty not eligible for products purchased through non-authorized online sellers.

A product that fails under conditions other than those covered will be repaired at the current price of parts and labor in effect at the time of repair. Such repairs are warranted for 90 days from the date of reshipment to the buyer. If the unit is delivered by mail, customers agree to insure the unit or assume the risk of loss or damage in transit. Under no circumstances will a unit be accepted without a return authorization number. The warranty is in lieu of all other warranties expressed or implied, including without limitations, any other implied warranty or fitness or merchantability for any particular purpose, all of which are expressly disclaimed. Proof of sale may be required in order to claim warranty.