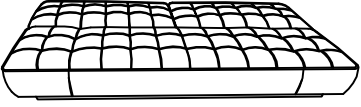
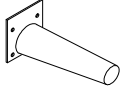
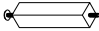



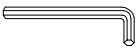


# ASSEMBLING INSTRUCTIONS

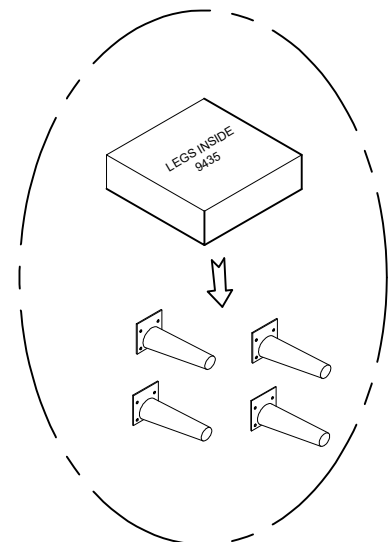
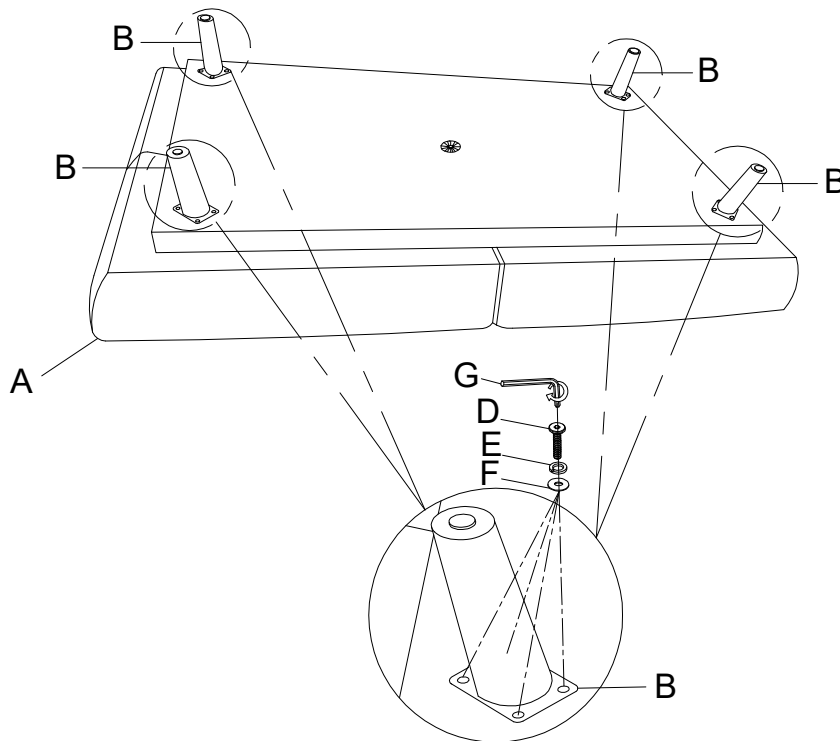
ITEM NO: 9435RF-3WD /9435SV-3WD  
**ELEGANT LOUNGER**

**▲** Hardware and legs stored in the box ,please take out of assembly .  
 It is recommended to install protective pads under all legs and supports to avoid damage or scratches when placing furniture on a wood floor or other hard surface, and to limit indentation and prevent discoloration if placing on carpet.

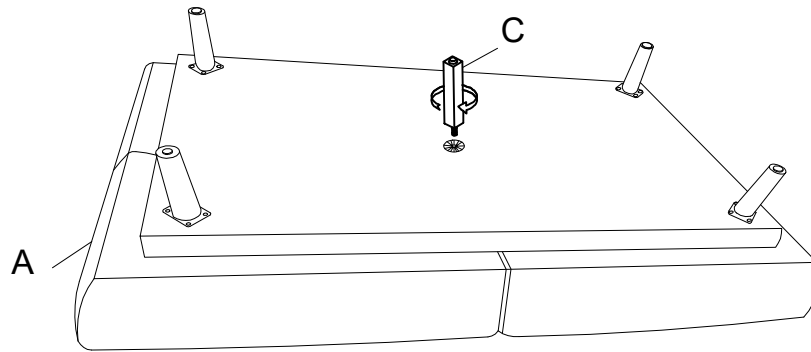
## PARTS LIST

NO.	DRAWING	QTY	DESCRIPTION
A		1 PC	SEAT
B		4 PCS	WOODEN LEG
C		1 PC	SUPPORT LEG
D		16 PCS	BOLT Ø1/4"*32mm
E		16 PCS	SPRING WASHER Ø1/4"
F		16 PCS	FLAT WASHER Ø1/4"*19mm
G		1 PC	ALLEN KEY 4mm*60mm

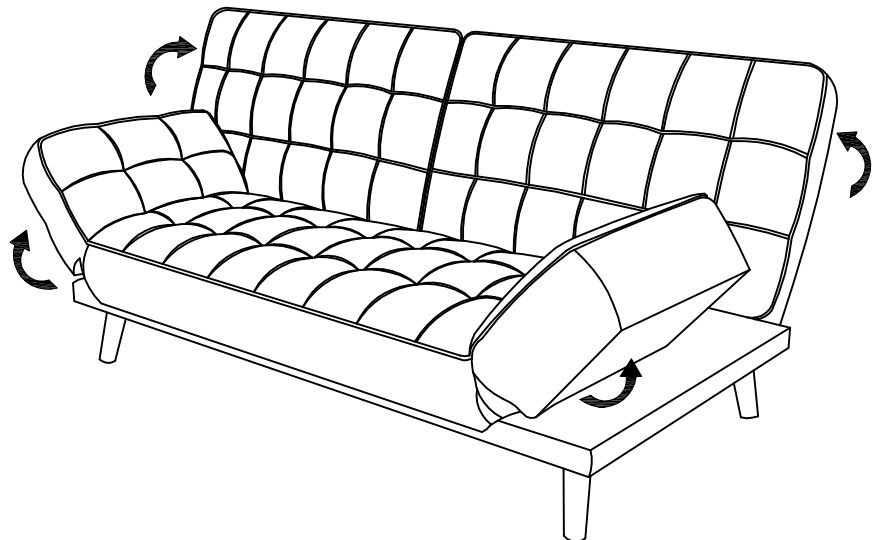
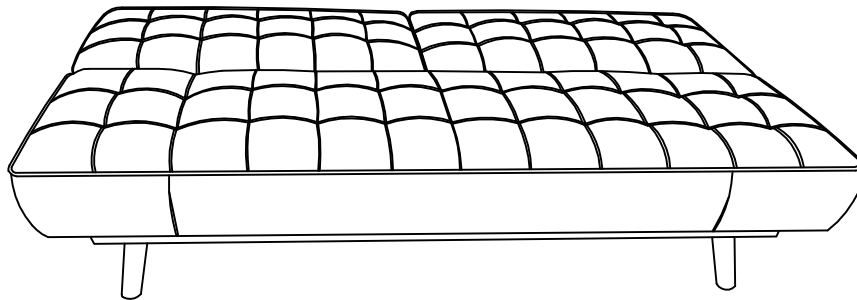
## STEP 1:



## STEP 2:



## STEP 3: COMPLETED



### CARE INTRUCTION FOR Chrnille FURNITURE

In order to maintain the original appearance of your Chrnille furniture, please follow below care procedures:

- ° Avoid exposing furniture directly to sunlight or heating and air conditioning outlets. Sunlight and / or exposure to heading and air conditioning outlets will fade/damage fabric.
- ° Do not place your upholstered furniture too close to windows, radiators, r vents and be sure to use window treatments to block the sun's rays.
- ° Wipe with a soft brush to remove dust.
- For items used on wooden floor, hard surfaces or carpets, it is recommended to install protecve pads
- under all legs supports to avoid/prevent from damages/scratches discoloration.