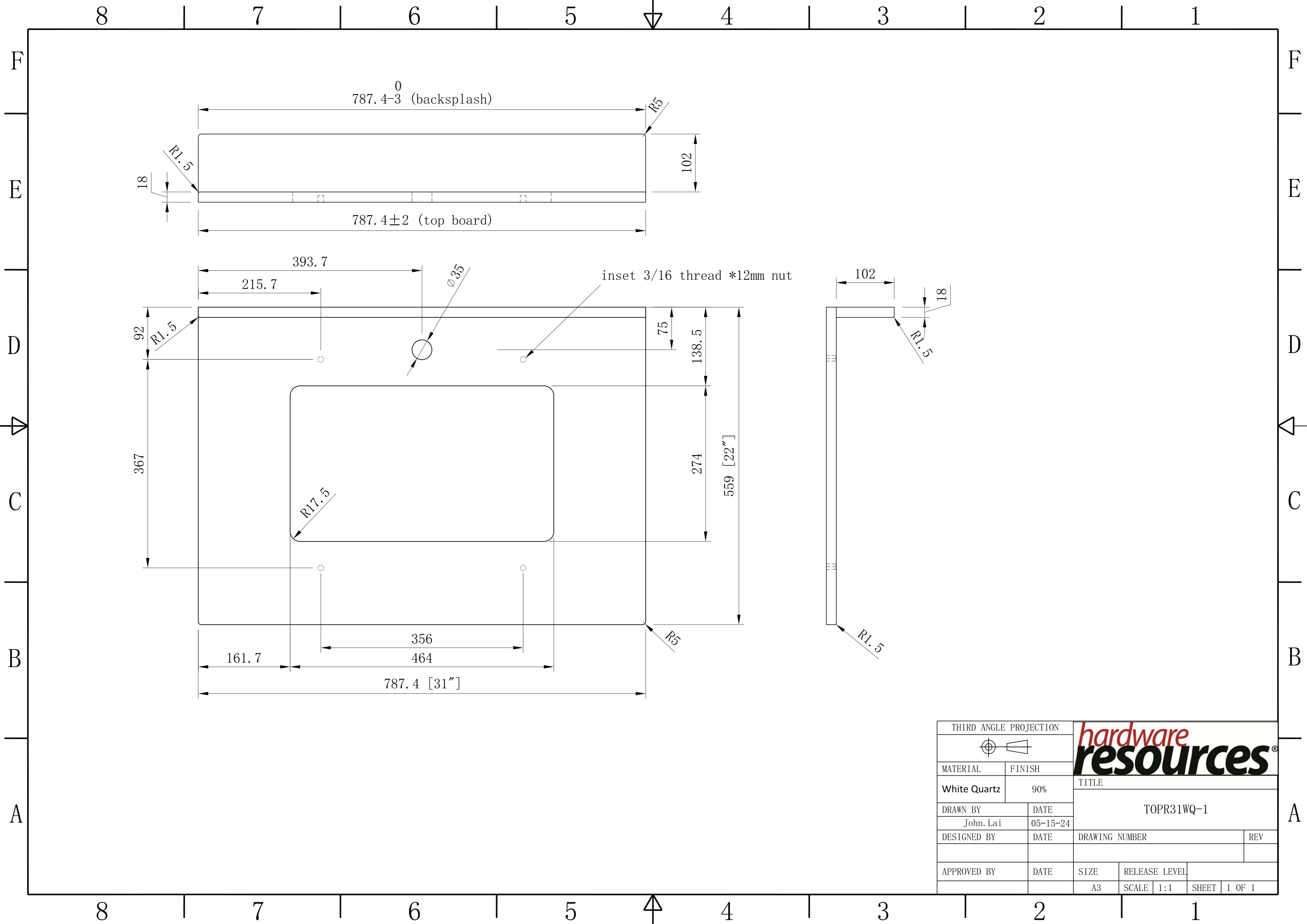
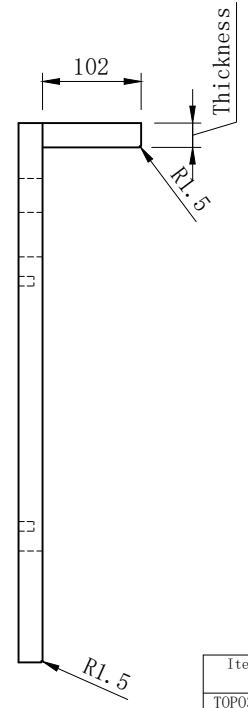
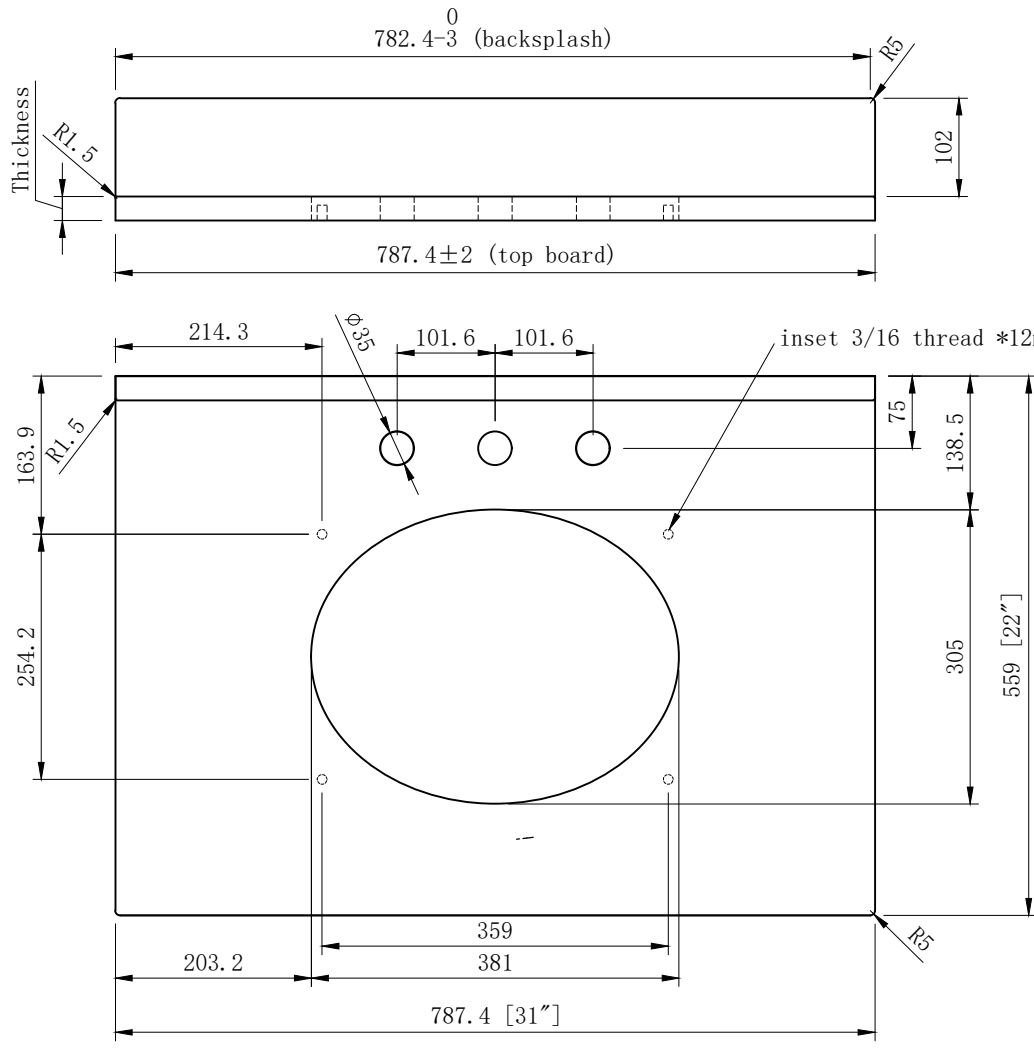
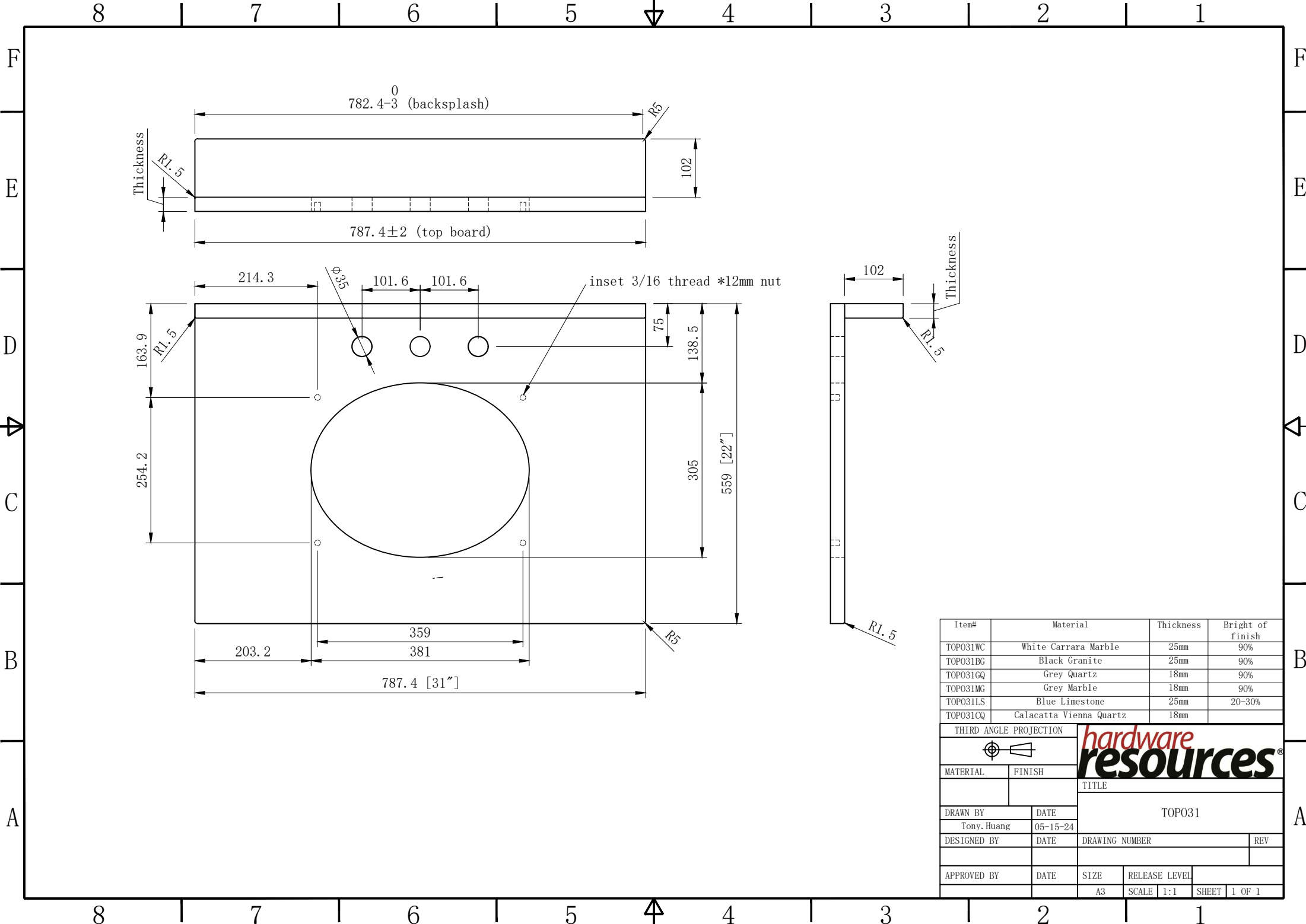


Item#	Material	Thickness	Bright of finish
TOPR31WC	White Carrara Marble	25mm	90%
TOPR31BG	Black Granite	25mm	90%
TOPR31WQ	White Quartz	18mm	90%
TOPR31GQ	Grey Quartz	18mm	90%
TOPR31MG	Grey Marble	18mm	90%
TOPR31LS	Blue Limestone	25mm	20-30%
TOPR31CQ	Calacatta Vienna Quartz	18mm	

THIRD ANGLE PROJECTION		hardware resources [®]			
MATERIAL	FINISH	TITLE			
		TOPR31			
DRAWN BY	DATE	DRAWING NUMBER		REV	
Tony. Huang	5-15-2024				
APPROVED BY	DATE	SIZE	RELEASE LEVEL		
		A3	SCALE 1:1	SHEET	1 OF 1

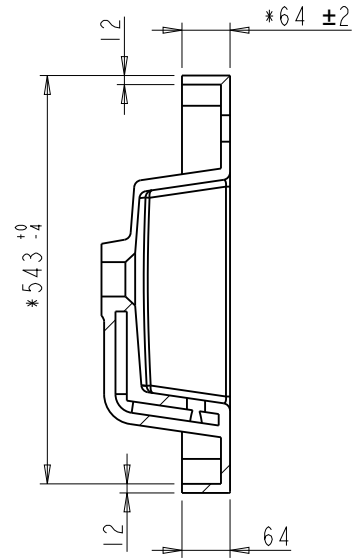
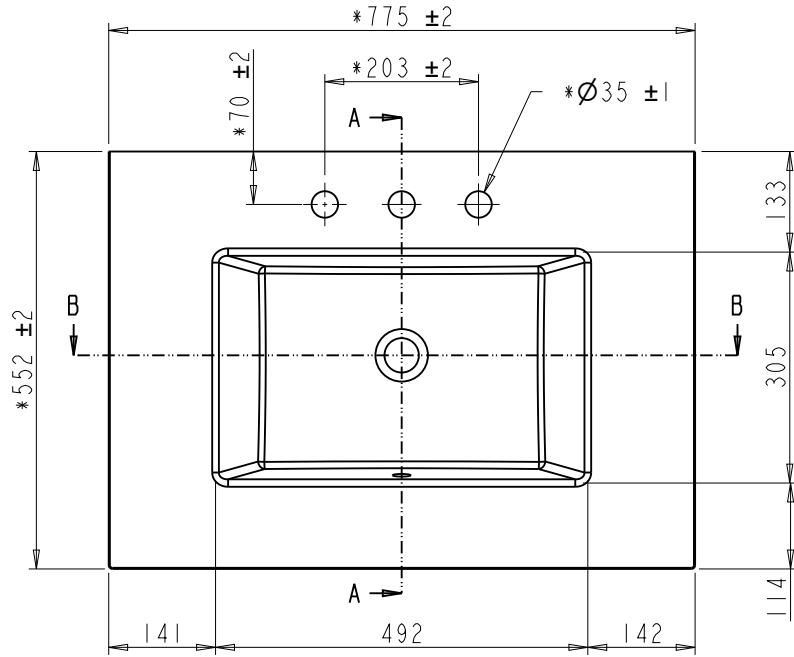


THIRD ANGLE PROJECTION		hardware resources [®]			
MATERIAL	FINISH	TITLE			
White Quartz	90%	TOPR31WQ-1			
DRAWN BY	DATE	REV			
John. Lai	05-15-24				
DESIGNED BY	DATE	DRAWING NUMBER		REV	
APPROVED BY	DATE	SIZE	RELEASE LEVEL		
		A3	SCALE	1:1	SHEET 1 OF 1

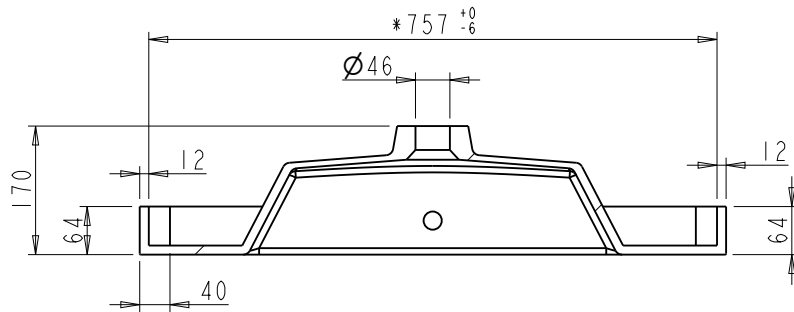
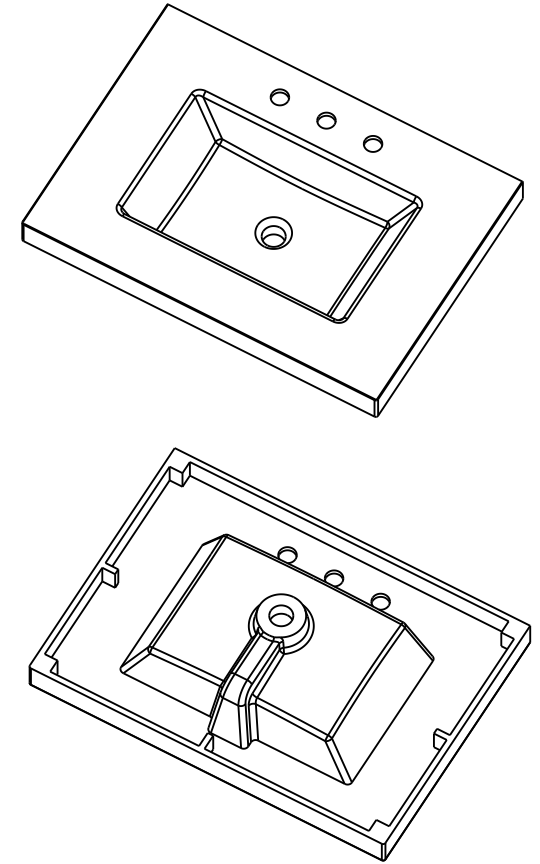


Item#	Material	Thickness	Bright of finish
TOPO31WC	White Carrara Marble	25mm	90%
TOPO31BG	Black Granite	25mm	90%
TOPO31GQ	Grey Quartz	18mm	90%
TOPO31MG	Grey Marble	18mm	90%
TOPO31LS	Blue Limestone	25mm	20-30%
TOPO31CQ	Calacatta Vienna Quartz	18mm	

THIRD ANGLE PROJECTION		hardware resources [®]			
MATERIAL	FINISH				
		TOPO31			
DRAWN BY		DATE		DRAWING NUMBER	
Tony. Huang		05-15-24			
DESIGNED BY		DATE		REV	
APPROVED BY		DATE		SIZE	
				A3	
		SCALE		SHEET	
		1:1		1 OF 1	



SECTION A-A



SECTION B-B

	ITEM: TOPR3IRE		MATERIAL:		
	FINISH:		WEIGHT:		
	PROJECTION		9		
	DATE: Apr - 14 - 23		DATE:		
<p>PROPRIETARY AND CONFIDENTIAL</p> <p>THE INFORMATION CONTAINED IN THIS DRAWING IS THE SOLE PROPERTY OF HARDWARE RESOURCES INC. ANY REPRODUCTION IN PART OR AS A WHOLE WITHOUT THE WRITTEN PERMISSION OF HARDWARE RESOURCES INC. IS PROHIBITED.</p>	TOLERANCE UNLESS OTHERWISE SPECIFIED: X ±0.20 X.X ±0.10 X.XX ±0.05 ANGULAR: ±0.5°	UNITS:	DRAWN BY: <i>Hugo.cai</i>	DATE:	
	DO NOT SCALE DRAWING	SIZE:	APPROVED BY:	DATE:	
		SHEET:	RELEASE LEVEL:	REVISION:	