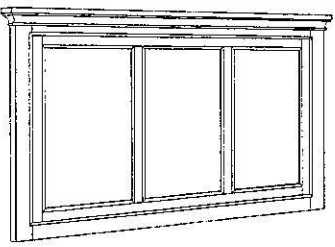
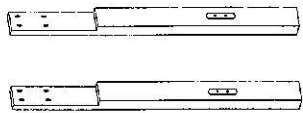

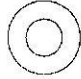
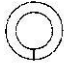

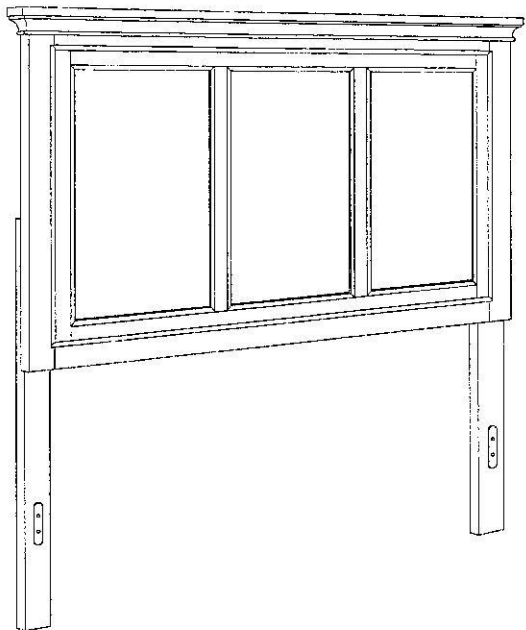


# ASSEMBLY INSTRUCTION

## QUEEN PANEL BED - HEADBOARD KING PANEL BED - HEADBOARD

<b>A</b> Headboard Panel  1 pc	<b>B</b> Headboard Leg with marking Left & Right.  2 pcs	<b>C</b> JCBC Bolt M6 X 40mm  8 pcs
<b>D</b> Flat Washer M8 x 16mm  8 pcs	<b>E</b> Spring Washer 5/16"  8 pcs	<b>F</b> Allen Key M4  1 pc

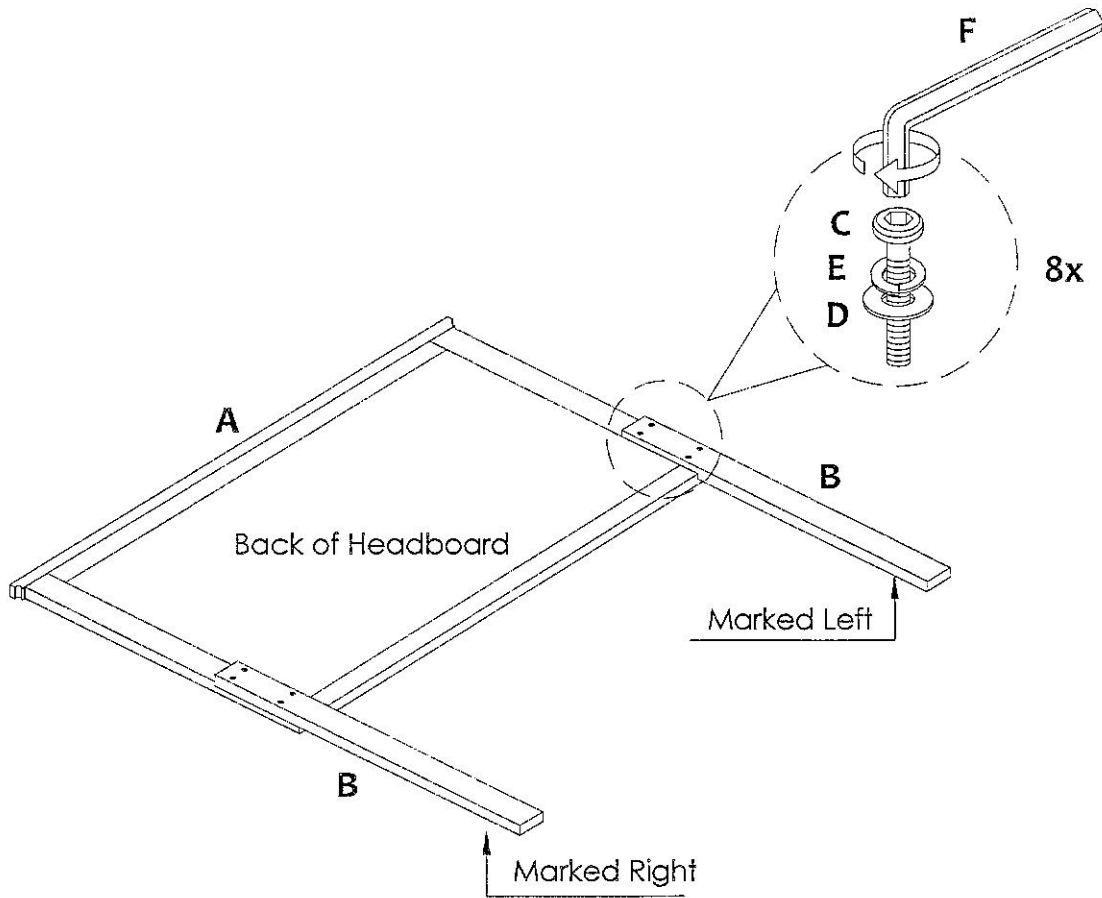


This page lists all the contents included in the box. Please take the time to identify the hardware as well as the individual components to this product. As you unpack and prepare for assembly, place the contents on a carpeted or padded area to protect them from damage.

**IMPORTANT NOTE :**

1. Do not tighten all screws / bolts until all completely assemble.
2. Keep all hardware parts out of reach of children.

- 1** Turn the Headboard Panel (A) upside down and place it on a piece of cloth to prevent from scratching. Attached Headboard Leg (B) to the Headboard panel (A). Insert JCBC Bolt (C), Spring Washer (E) and Flat Washer (D) to the holes and tighten using Allen Key (F).

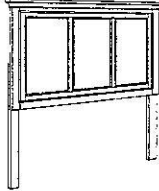
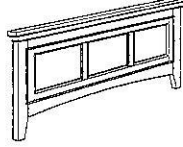
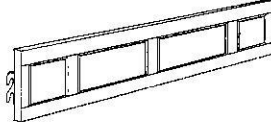
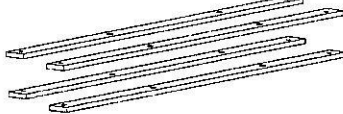
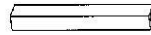

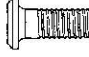

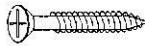
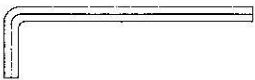
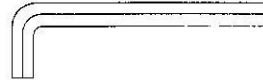


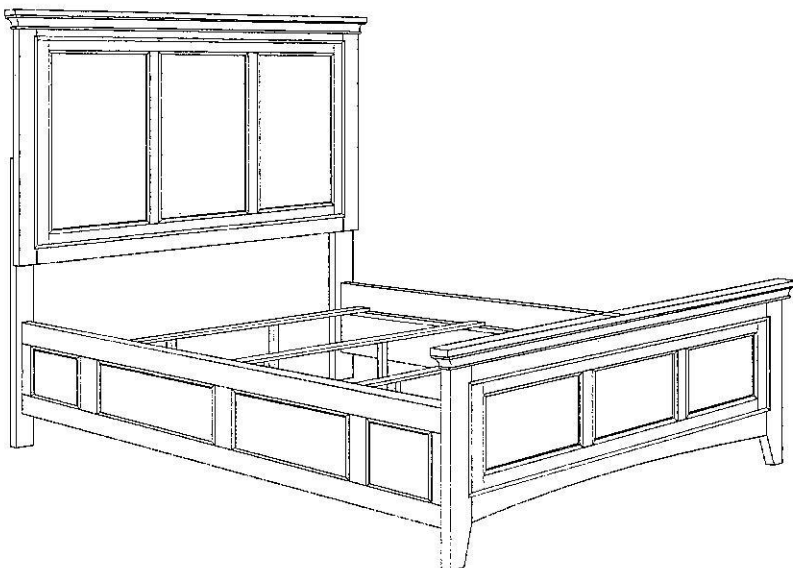
#### **CLEANING & CARE**

Treat surface with care. Surface is resistant to scratches but is not scratches resistant. Clean surface with a dry or damp soft cloth. Do not use abrasive cleaners. Hardware may loosen over time. Periodically check that all connections are tight.

# ASSEMBLY INSTRUCTION

## QUEEN PANEL BED - SIDE RAILS & SLATS KING PANEL BED - SIDE RAILS & SLATS

<p><b>A</b> Headboard (in the other carton)</p>  <p>1 pc</p>	<p><b>B</b> Footboard (in the other carton)</p>  <p>1 pc</p>	<p><b>C</b> Side Rail</p>  <p>2 pcs</p>
<p><b>D</b> Slats</p>  <p>4 pcs</p>	<p><b>E</b> Slats Support Leg</p>  <p>8 pcs</p>	<p><b>F</b> JCBC Bolt M6 X 35mm</p>  <p>8 pcs</p>
<p><b>G</b> JCBB Bolt M8 X 16mm</p>  <p>8 pcs</p>	<p><b>H</b> Spring Washer 5/16"</p>  <p>8 pcs</p>	<p><b>I</b> CSK Screw M4 X 32mm</p>  <p>8 pcs</p>
<p><b>J</b> Allen Key M4</p>  <p>1 pc</p>	<p><b>K</b> Allen Key M5</p>  <p>1 pc</p>	

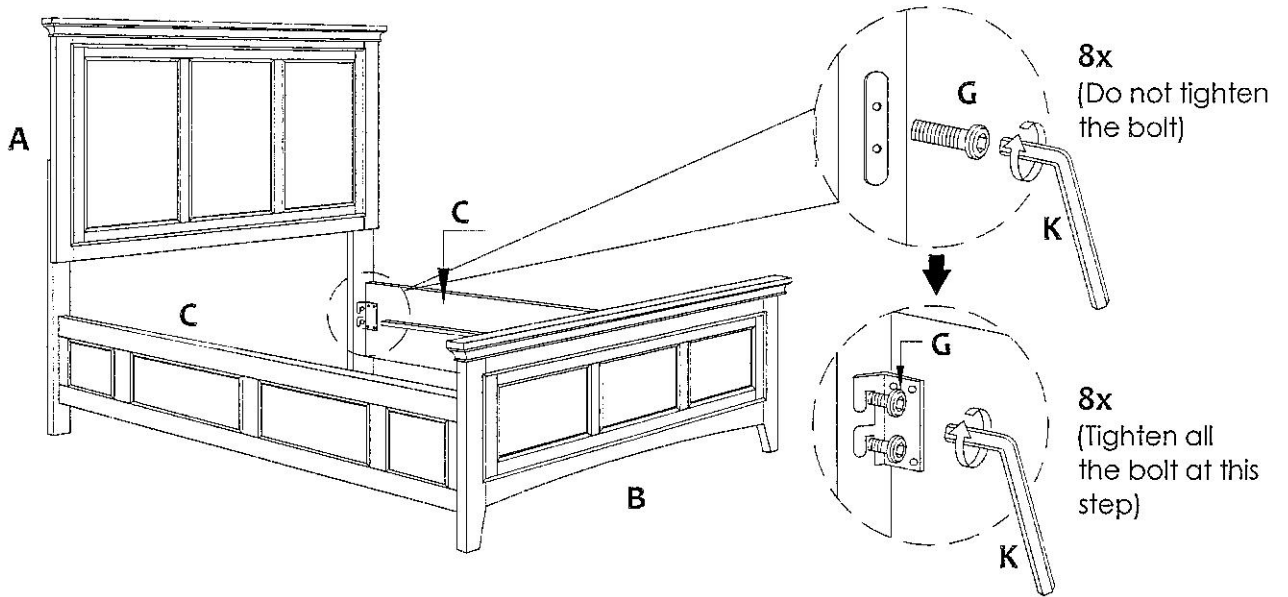


This page lists all the contents included in the box. Please take the time to identify the hardware as well as the individual components to this product. As you unpack and prepare for assembly, place the contents on a carpeted or padded area to protect them from damage.

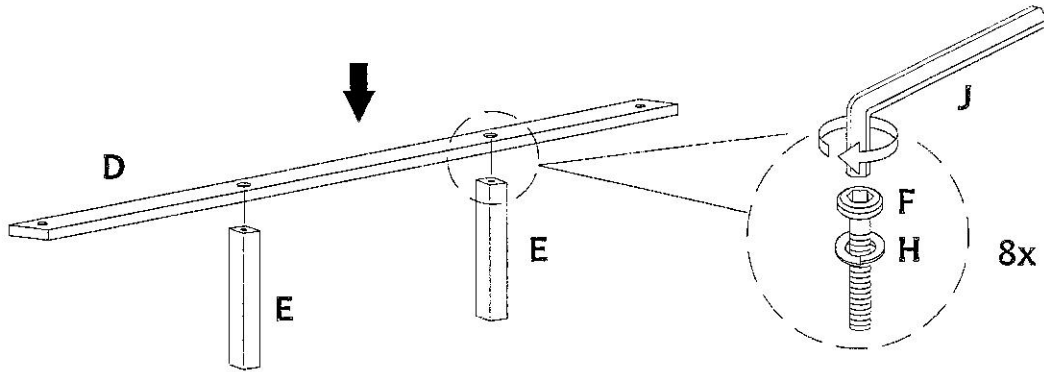
**IMPORTANT NOTE :**

1. Do not tighten all screws / bolts until all completely assemble.
2. Keep all hardware parts out of reach of children.

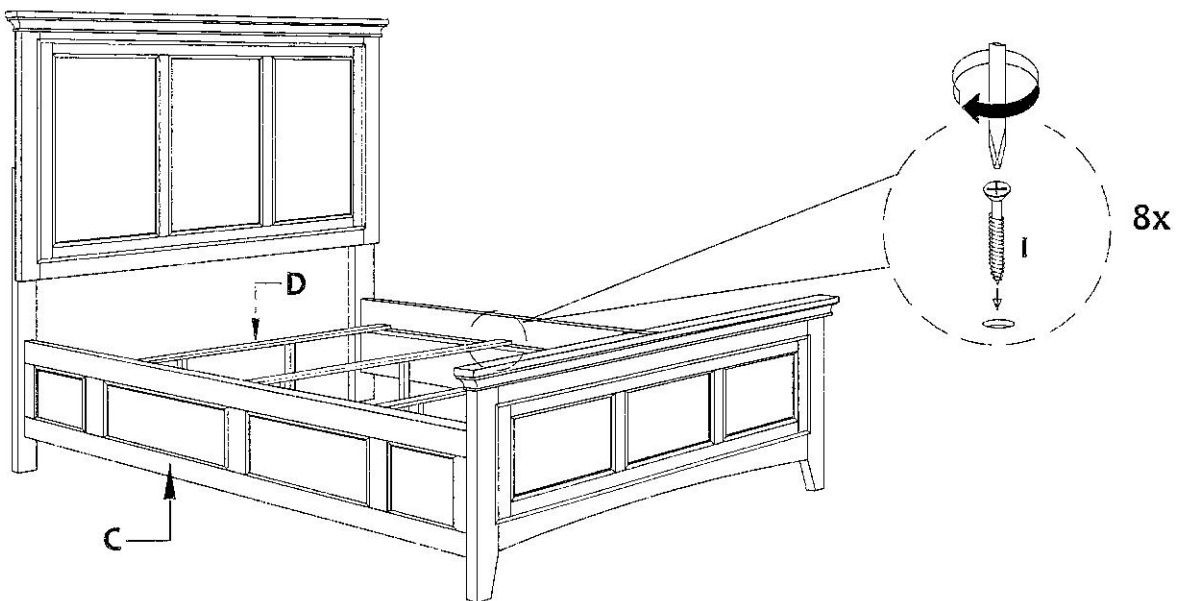
- 1** Attached Side Rail (C) to Headboard (A) and Footboard (B) by inserting JCBB Bolts (G) loosely into provided holes, then hooking Side Rail brackets on as shown. Tighten all bolts using Allen Key (K).



- 2** Attached Slats (D) to Slats Support Leg (E) and secure it with JCBC Bolt (F) and Spring Washer (H). Tighten all the bolts using Allen Key (J). Repeat the same process to all the Slats (D).



- 3** Place Slats (D) to the Side Rail (C). Tighten the Slats with CSK Screw (I) using Phillip Head Screwdriver (Not provided).



#### **CLEANING & CARE**

Treat surface with care. Surface is resistant to scratches but is not scratches resistant. Clean surface with a dry or damp soft cloth. Do not use abrasive cleaners. Hardware may loosen over time. Periodically check that all connections are tight.