

## 3.5 - 5 Gallon Cover with Gasket and Tear Tab

### Features

Gauge: 90 mil.

Tare weights: Body: .72 lbs. / .327 kgs

### Colors

Standard: Black

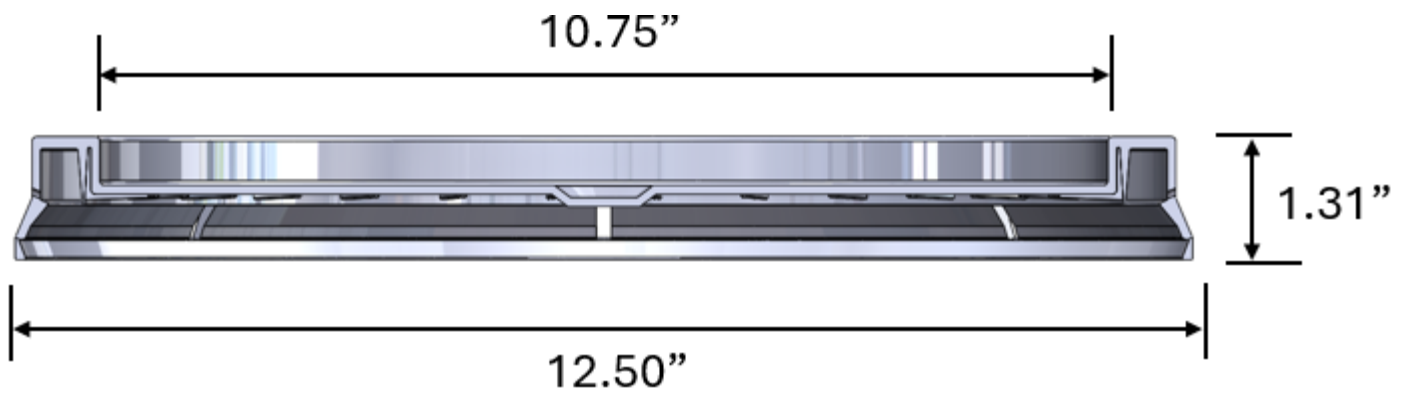
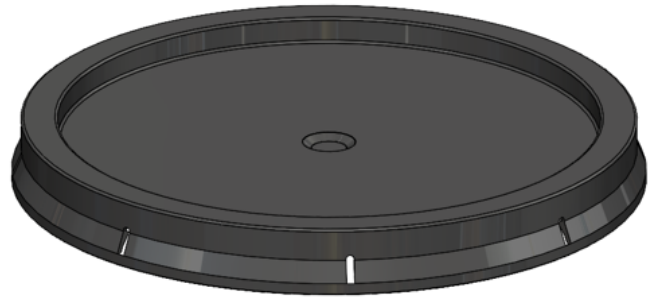
### Material

FDA approved materials

Resin: Body: High-Density Polyethylene (HDPE)

### Fitting Options

Plastic Spout with 1.25" Opening



DISTRIBUTED BY:



REF NO.:

DWG40007

### DISCLAIMER

THIS INFORMATION IS PROVIDED AS A GENERAL GUIDE, INCLUDING DIMENSIONS. IT IS THE CUSTOMER'S RESPONSIBILITIES TO SELECT THE PROPER CONTAINER FOR PRODUCT AND APPLICATION COMPATIBILITY.

DESCRIPTION:

3.5-5 Gallon Black HDPE Plastic Pail Cover with Tear Tab, Gasket