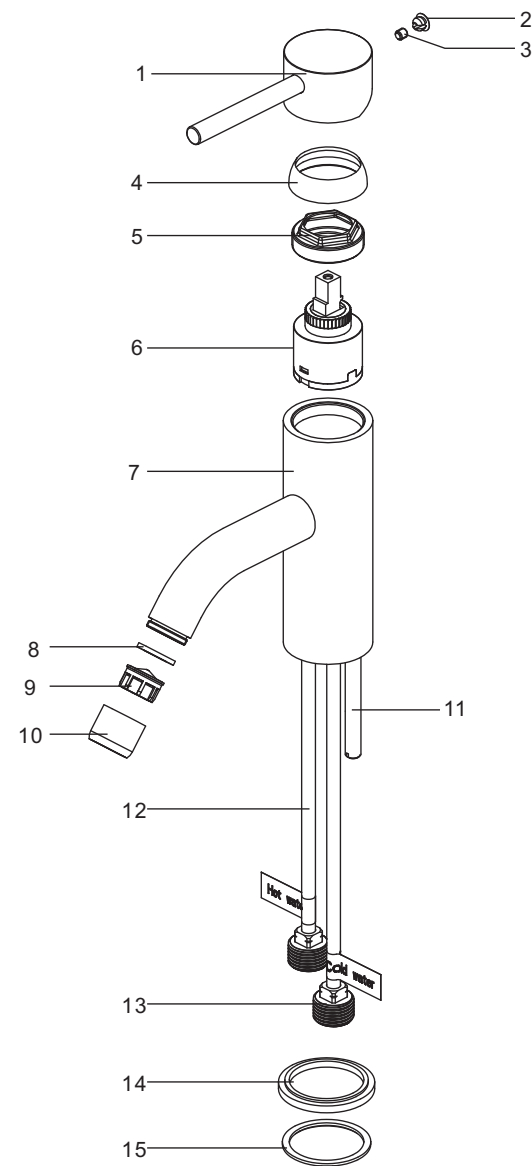
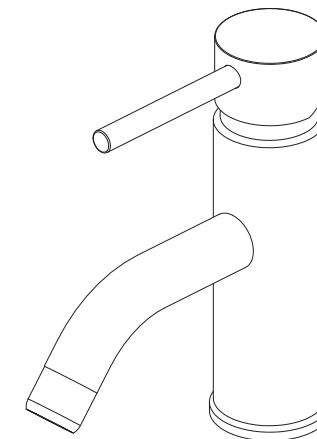
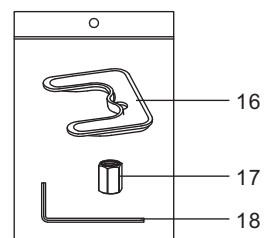


Step 4 Parts list



NO.	PART NAME
1	Handle
2	Index
3	Screw
4	Trim cap
5	Cartridge lock nut
6	Cartridge
7	Body
8	Washer
9	Aerator core
10	Aerator collar
11	Screw
12	Copper tube
13	Copper tube
14	Base
15	O-ring
16	Clamp
17	Lock nut
18	Allen key

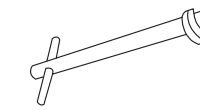


SINGLE HANDLE LAVATORY FAUCET

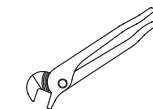


ASME A112.18.1/CSA B125.1

RECOMMENDED TOOLS



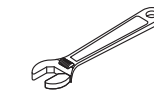
Basin wrench



Channel Locks



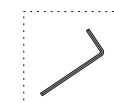
Goggles



Adjustable Wrench



Teflon tape



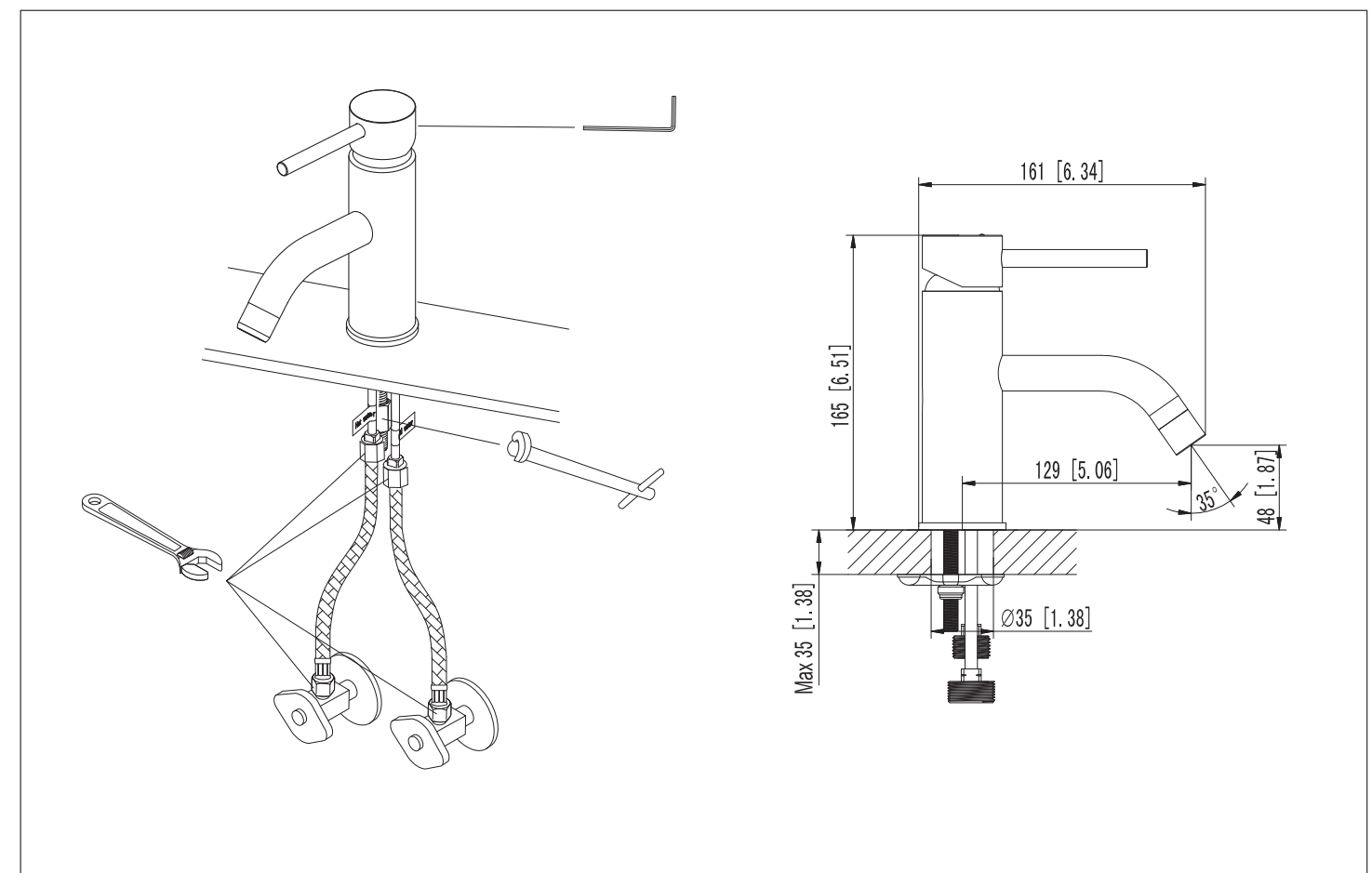
Allen key

**WARNING:**  
Please keep the tool for future use!

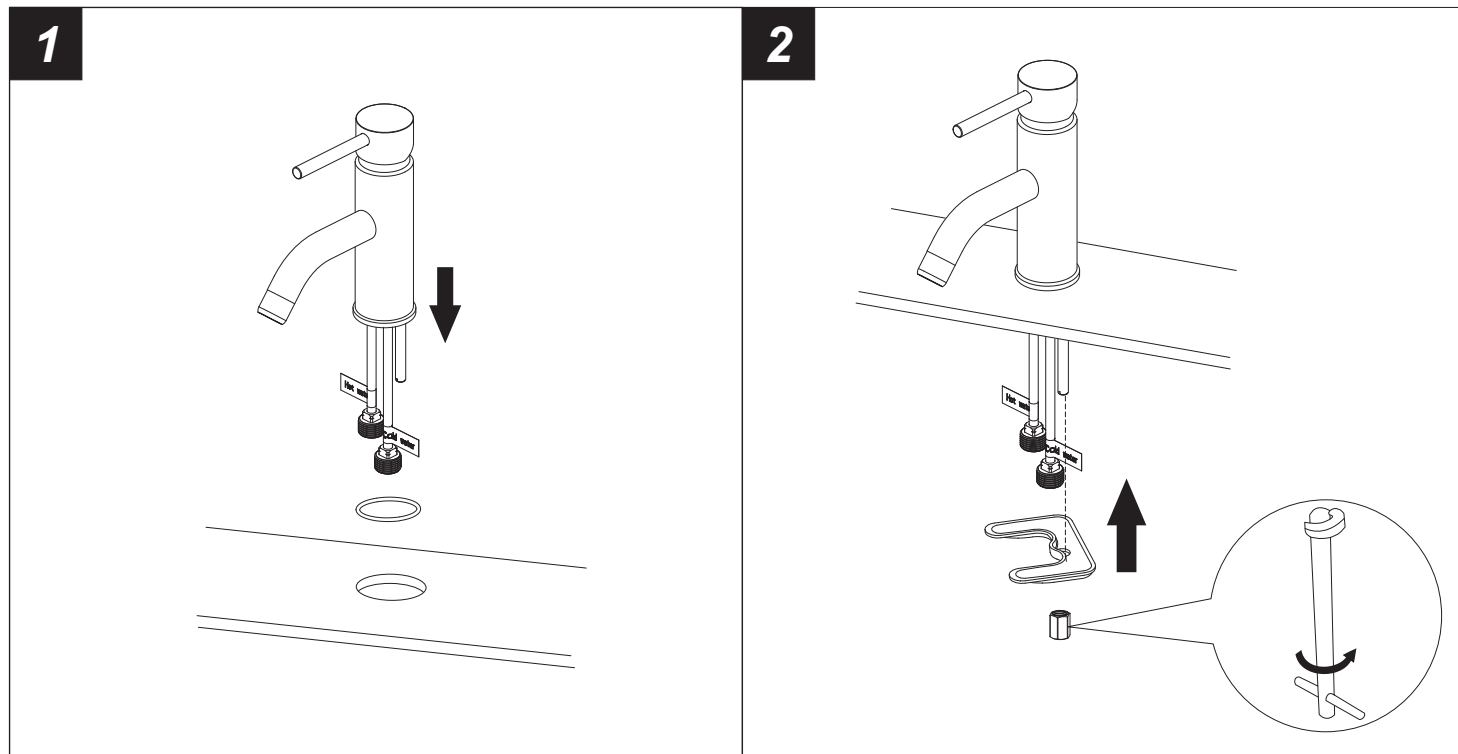


**Attention:**  
for easy installation, you will need:  
1. To read all the installation instruction completely before beginning.  
2. To read all the warning, attention and maintenance information.  
3. To purchase the proper supply lines.

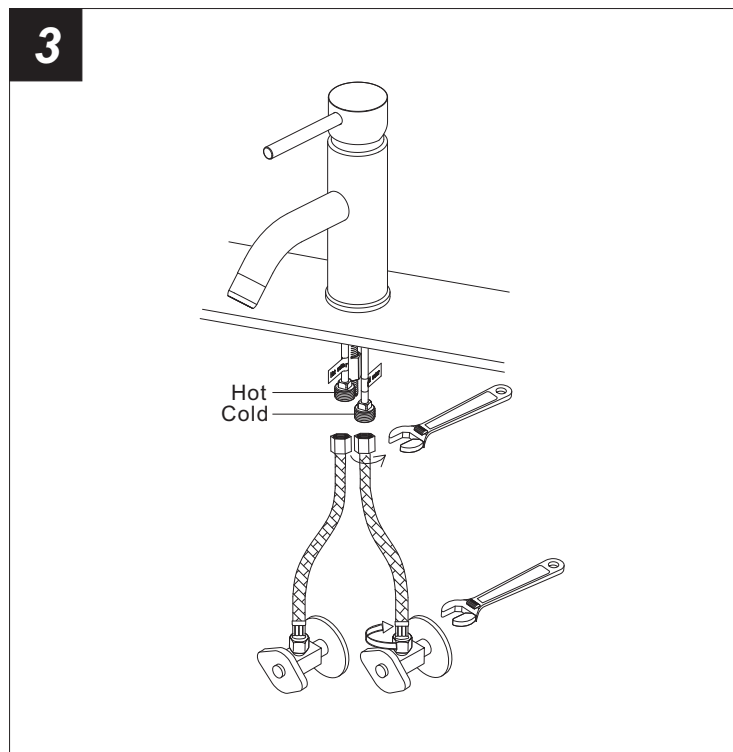
The tools might be applied to the following places:



## Step 1 Faucet installation



1. Position the faucet with o-ring on the installation surface.
2. Secure the faucet with fixing kit and tighten the lock nut with allen wrench.

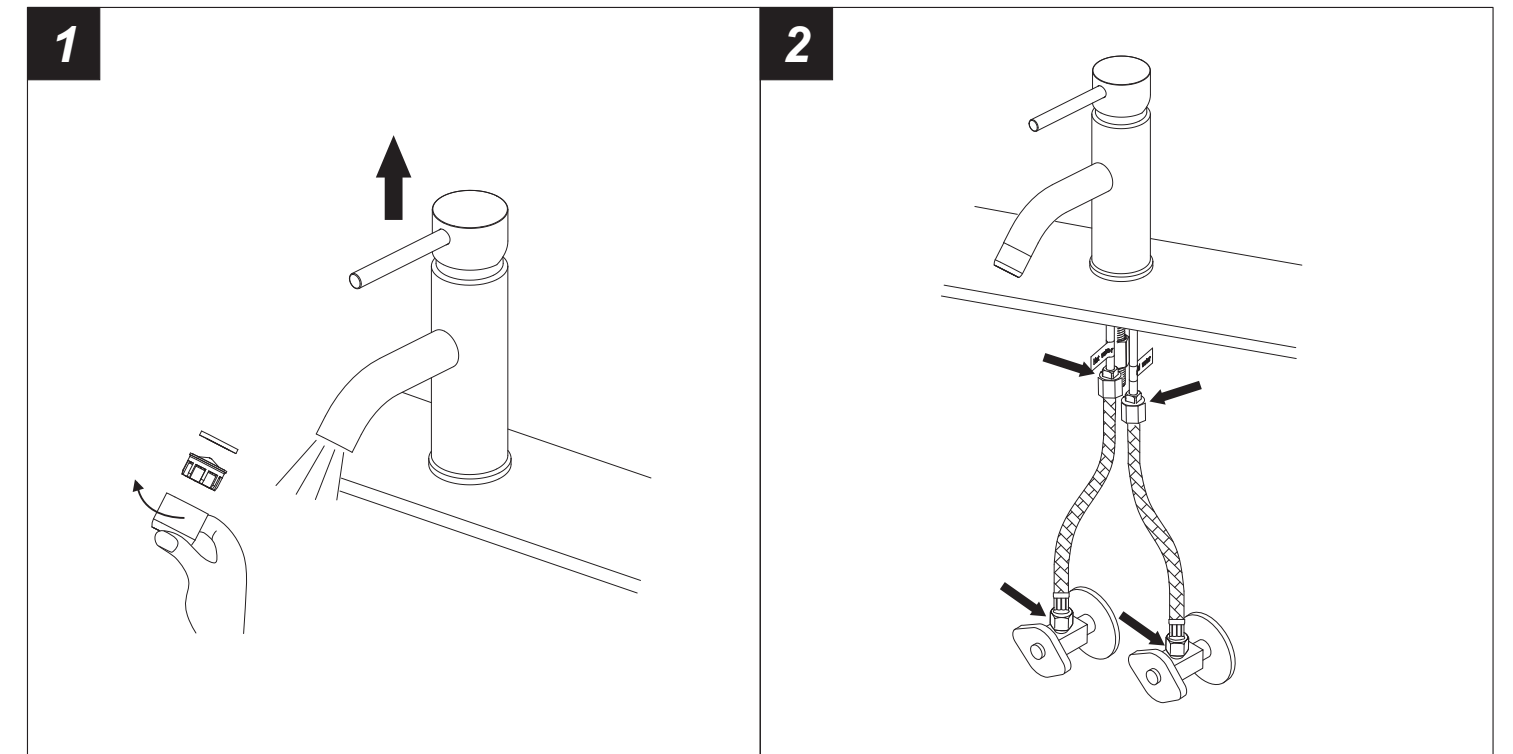


3. Connect the flexible hoses to water supply valve (not included) and copper tubes, and tighten it with adjustable wrench. **DON'T OVER TIGHTEN!** Caution: make sure connect the hot and cold flexible hose to supply valves correctly.

### Warning:

The supply valves are not included, please purchase them in plumb shop.

## Step 2 Checking and testing



1. Remove the aerator by hand. Turn the faucet handle all the way on, turn on hot and cold water supply and flush water lines for one minute. Reinstall aerator by hand.
2. Check all connections at arrows for leaks, re-tighten it if necessary. **BUT DON'T OVERTIGHTEN!**

## Step 3 Cleaning and care

Daily cleaning and care are required in order to keep the product shining and properly working.

- 1 Clean it with water and dry it with soft cloth.
- 2 Clean the product with gentle liquid or glass cleaner.
- 3 Don't use acid cleaner.
- 4 Don't clean with abrasive material, abrasive paper or knife.