

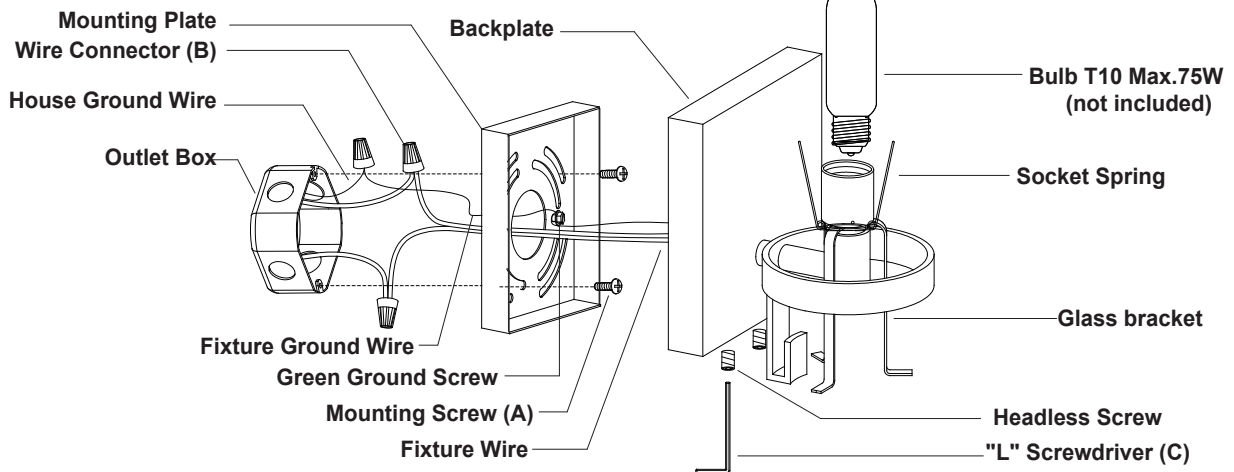
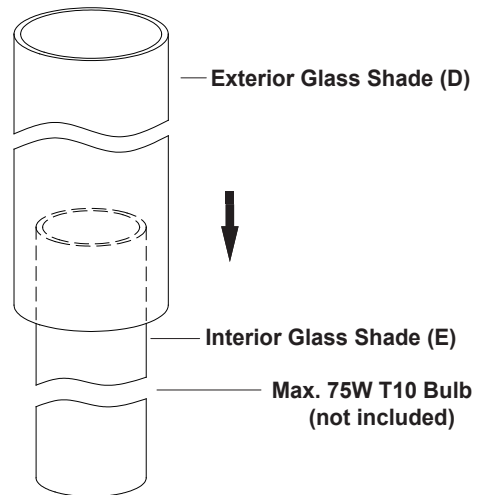
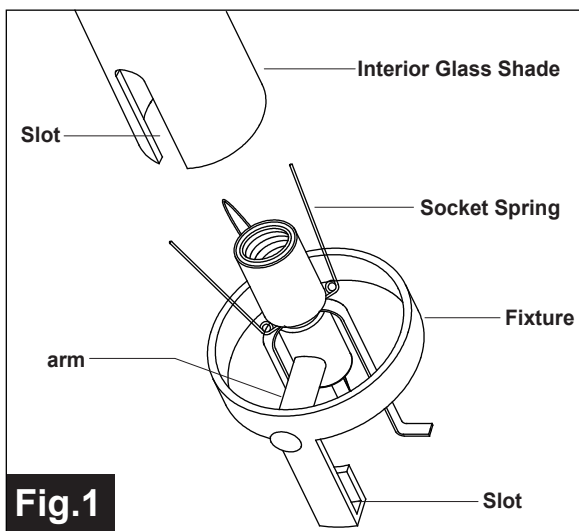
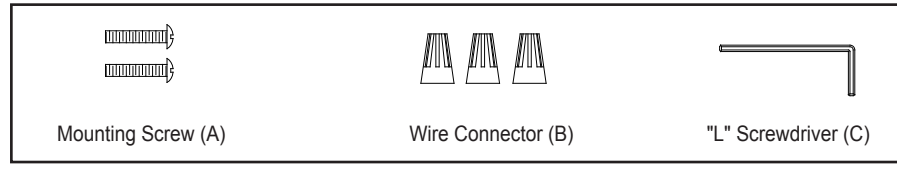
# ASSEMBLY AND INSTALLATION INSTRUCTIONS

W0049 / W0125 / W0309

**WARNING:** TO AVOID RISK OF ELECTRICAL SHOCK, BE SURE TO SHUT OFF POWER WHILE INSTALLING OR SERVICING THIS FIXTURE.

NOTES: 1. Before installing, consult local electrical codes for wiring and grounding requirements.  
2. Read and save these instructions.

## Hardware Package (included):



## Assembly Instructions:

Turn off the power at fuse or circuit box.

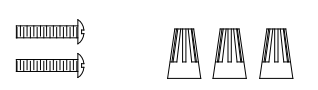
1. Unscrew the headless screws from backplate by using "L" screwdriver (C), then remove the mounting plate.
2. Attach the mounting plate to the outlet box by using two mounting screws.

3. Pull out the source wires from the outlet box. Make wire connections using wire connectors (B) as follows:
  - Connect the black (hot) wire from the fixture to the black (hot) wire from the power source.
  - Connect the white (neutral) wire from the fixture to the white (neutral) wire from the power source.
  - Attach the fixture ground wire to the mounting plate with the green ground screw, then connect it to the house ground wire with a wire connector (B). If your outlet box does not have a house ground wire, then wrap the fixture ground wire around the green ground screw.
 Carefully put the wires back into the outlet box.
4. Attach the backplate to the mounting plate, secure the headless screws from the bottom hole of the backplate onto the bottom side of the mounting plate.
5. Install bulb (not included). See relamping label at socket area or packaging for maximum wattage allowed.
6. Press the socket spring, place the interior glass shade (E) into the glass bracket, adjust the slot of the interior glass shade to locate into the arm of the fixture, then place the exterior glass shade (D) into the glass bracket, adjust the exterior glass shade to locate into the slot of the fixture. (See Fig. 1)


Turn on the power at the main fuse or circuit breaker box.

The following parts are available for reorder if damaged or missing.

**Spare Parts List:**




Mounting Screw (A)    Wire Connector (B)




"L" Screwdriver (C)

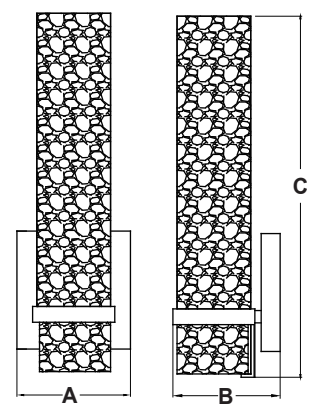
Assembly Kit (1 SET)  
 4596MM For W0049  
 5099MM For W0125  
 5962MM For W0309



Exterior Glass Shade (D)  
9382CW



Interior Glass Shade (E)  
9383FO



**A: 4-1/4" B: 4" C: 13-1/2"**

### 1 Year Warranty

Vaxcel warrants all of our products against defects in workmanship and finishes for one year following the date of shipment.

*Exclusions: This warranty does not include the failure of products from extreme acts of nature; environmental conditions not suited for the products intended use; operation in temperatures outside of the range specified in the instruction manual; usage with improper power supply, power surges or dips. For coastal locations, some corrosion is considered normal for the environment.*

*Vaxcel reserves the right to repair, replace or issue a credit for any properly installed product, provided it is returned per RMA instruction. This warranty is limited to the cost of the product only and does not extend to transportation, installation or replacement costs.*

How can warranty service be obtained?

info@vaxcel.com  
1-800-482-9235