

Location:



SYMMONS® Identity®




S-6701-TRM, S6701TRMTC Shower Trim Specification Submittal



Feature Highlights

- Identity Shower Trim
- Requires Temptrol® Pressure Balancing Shower Valve
- Integral volume control
- Metal lever handle
- 1 mode showerhead with easy to clean nozzles
- 2.0 gpm (7.6 L/min) flow restrictor
- Tub spout not included
- Components shall be metal and nonmetallic construction, plated in standard Polished Chrome finish
- Available with TA-10 flow control spindle and T-12A cap assembly for Temptrol valve bodies installed with Test Cap (order p/n S6701TRMTC)

Options/Modifications

- 1.5**  1.5 gpm (5.7 L/min) flow restrictor
- L1** Less showerhead
- L7** Less handle
- STN** Satin Nickel finish

Note: Append appropriate -suffix to model number.

Compliance

- ASME A112.18.1/CSA B125.1



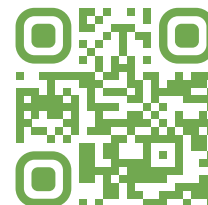
Model Numbers

- S-6701-TRM**
Shower Trim with integral volume control, Temptrol Pressure Balancing Shower Valve ordered separately
- S6701TRMTC**
Shower Trim with integral volume control, TA-10 flow control spindle and T-12A cap assembly, must order Temptrol valve with Test Cap

Warranty

Limited Lifetime - to the original end purchaser in consumer/residential installations.

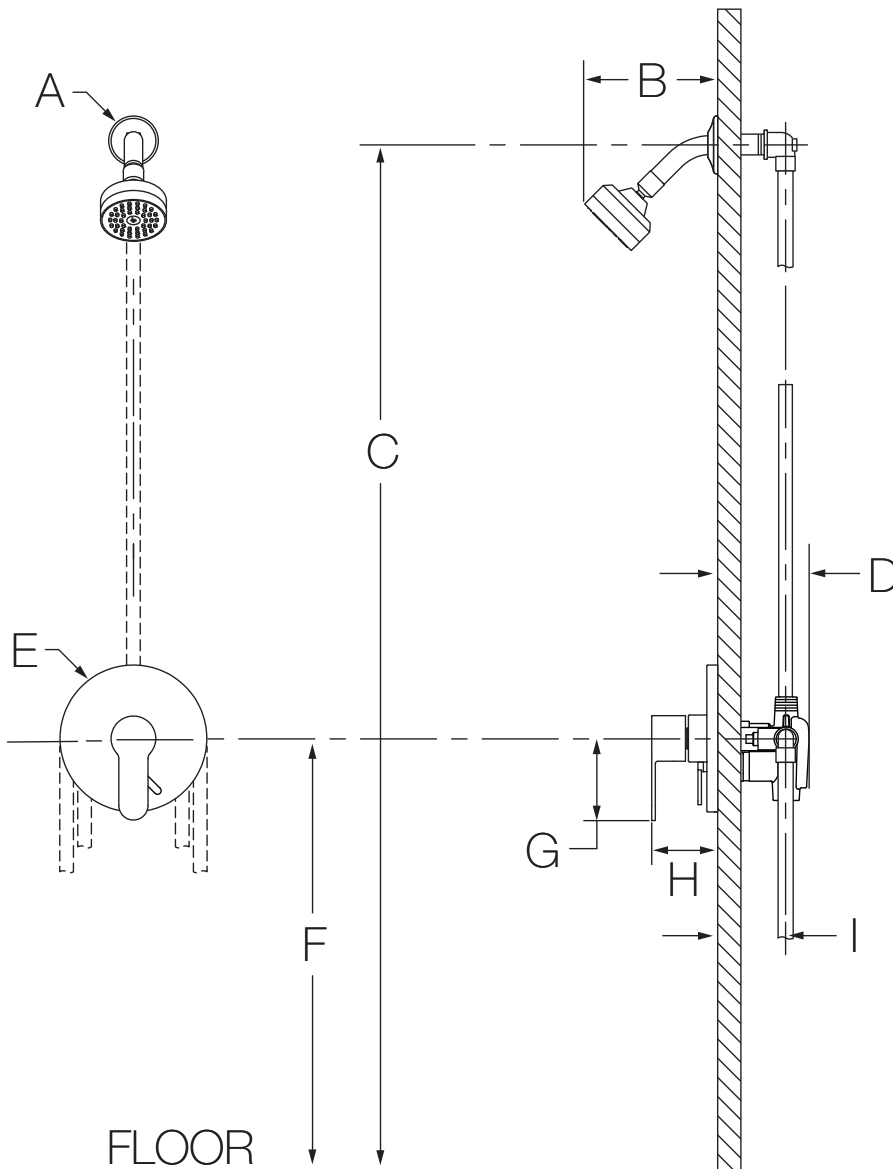
10 Years - for commercial/industrial installations. Refer to www.symmons.com/warranty for complete warranty information.



Architectural/ Engineering Specification

Symmons Identity _____ With Identity Shower Trim, Requires Temptrol® Pressure Balancing Shower Valve, Integral volume control, Metal level handle, 1 mode showerhead with easy to clean nozzles, 2.0 gpm (7.6 L/min) flow restrictor, Tub spout not included, Components shall be metal and nonmetallic construction, plated in standard Polished Chrome finish, Available with TA-10 flow control spindle and T-12A cap assembly for Temptrol valve bodies installed with Test Cap. 10 Year commercial Warranty. ASME A112.18.1/CSA B125.1, WaterSense 1.5 gpm and 2.0 gpm complaint. Available options include: "1.5 - 1.5 gpm (5.7 L/min) flow restrictor", "L1- Less showerhead", "L7 - Less handle", "STN - Satin nickel finish".

Dimensions



Measurements	
A	Ø 2-1/2", 64 mm
B	5-7/8", 149 mm
C	Ref. 77", 1956 mm
D	3-1/2", 89 mm
E	Ø 6-3/8", 162 mm
F	Ref. 42", 1067 mm
G	3-1/2", 89 mm
H	2-7/8", 73 mm
I	Rough-in 2-3/8" ± 1/2", 60 mm ± 13 mm

Notes:

- 1) Valve body and piping not included and shown as reference only.
- 2) Plaster shield (p/n T-176) for dry wall, plaster or other type walls 1/2" or greater.
- 3) All dimensions measured from nominal rough-in (see I as reference).
- 4) Dimensions subject to change without notice.