

MOTION SENSOR TWIN SPOTLIGHT MODEL# MFL2 INSTRUCTION MANUAL

ACCLAIM
LIGHTING
INTERIOR · OUTDOOR

*READ ALL INSTRUCTIONS BEFORE PROCEEDING WITH INSTALLATION.

*WIRING THE UNIT INCORRECTLY MAY DAMAGE THE ELECTRONIC COMPONENTS INSIDE THE CONTROL MODULE, CAUSE A FIRE HAZARD AND WILL VOID ALL WARRANTY CLAIMS.

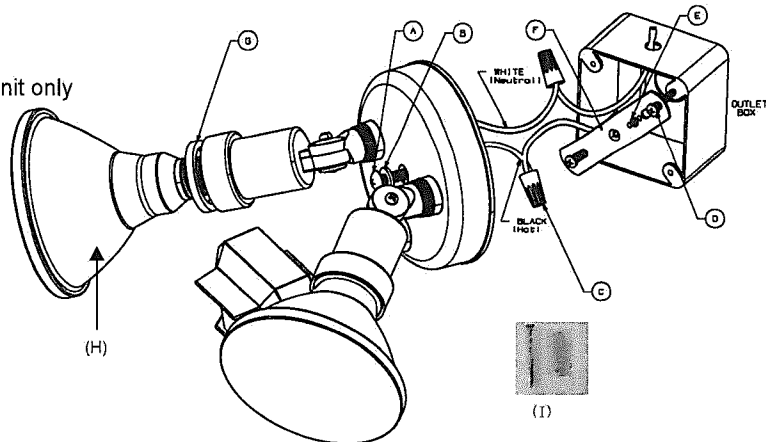
***Warning: This product must be installed in accordance with the applicable installation code by a person familiar with the construction and operation of the product and the hazards involved.**

SPECIFICATIONS

- *Product description: Plastic Outdoor Spotlight Fixture with motion sensor
- *Power source: 120V AC 60 Hz
- *Load rating: 2X150W Max.
- *Sensor range: 180° x 12m
- *Power consumption: 4W max. for the sensor unit only

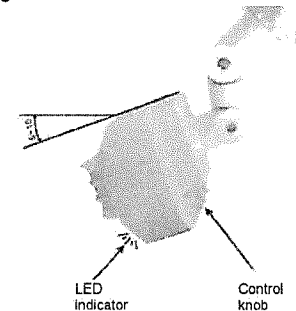
WHAT'S INCLUDED:

- A – Fixture mounting screw 1pc
- B – Gasket 1pc
- C – Wire connectors 2pcs
- D – Outlet box Mounting screws 2pcs
- E – Ground wire screw 1pc
- F – Mounting Bar 1pc
- G – Water proof rubber gaskets 2pcs
- H – Bulbs (not included)
- I – Self tapping screw with plastic bolt 1pc



PRE-INSTALLATION GUIDELINES

1. A qualified electrician is recommended for installation and wiring.
2. Before beginning installation, disconnect the power to the location where the light will be installed by shutting off the circuit breaker or removing the fuse at the fuse box. Shutting off a wall switch that controls the light is not sufficient to prevent electrical shock.
3. For ideal operation and maximum coverage of unit the unit should be mounted 8' 6" above the ground. If mounting the unit at 8'6" is impractical, the unit may be mounted higher or lower. However, the effective "target area" may vary from the specifications stated in this manual.
4. The unit should be located away from air conditioners, barbecue grills and other heat sources which the motion sensor may sense.
5. To avoid damage to the unit, do not point the motion sensor toward the sun. The control module is adjustable and should be pointed slightly downward for best operation.
6. The light bulb should be located above and aimed away from the motion sensor to prevent false activation of the sensor caused by heat rising off the bulb.
7. Best sensitivity can be achieved when movements are "across" the detection beams and sensitivity decreases when the movements are directly toward or away from the motion sensor.



INSTALLING AND WIRING

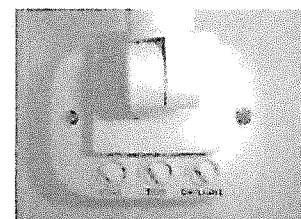
1. Pull the supply wires from the house.
2. Mount the Mounting Bar (F) to the outlet box using the mounting screws(D).
3. Connect the wires using the Wire Connectors(C) as follows:
 - White light fixture wire to White house wire
 - Black light fixture to Black house wire.
 - Green (or bare copper) house wires to the ground wire screw(E).
4. Secure the light fixture to the Mounting Bar using the Fixture Mounting Screw(A). Make sure to put the gasket(B) under the screw head.
5. Make sure the Water proof rubber gasket (G) is secured to the lamp-holder before installing the bulbs.

IMPORTANT: Apply a weatherproof silicone caulk or sealant around the fixture base.

UNDERSTANDING THE CONTROL MODULE ADJUSTMENT

General

When a warm moving object (such as a person or automobile) passes through the field of view of the motion sensor, the light turns on from 5 seconds to 6 minutes, as adjusted. This unit has three knobs. They are "Sens", "Time" and "Daylight". This unit features the following.



Daylight

Dusk-to-Dawn mode: Turning the knob fully counter clockwise to "☉" position will allow the unit work as a Dusk-to-Dawn light. The light will be turned on from dusk to dawn everyday.

Auto mode: Turning the knob clockwise to the middle position will allow the unit work as a normal motion sensor light. The light will only be turned on once the sensor detects movements.

Test mode: Turning the knob fully clockwise to the "⊕" position will deactivate the photocell. This will allow the fixture to activate when motion is detected even in daylight. **CAUTION:** Please make sure to turn the knob counter clockwise to the middle position after setting up this unit. Otherwise the light will be turned on day and night.

MANUAL OVERRIDE

Turning the wall switch off and then on within 2 seconds will put the sensor into manual override status. The fixture will be turned on and will stay on until morning or until it is manually turned off. Turning off the switch for at least 5 seconds and then back on again will reset the sensor back to automatic status.

AUTO RESET

Once the photo cell senses the brightness, the unit will reset itself automatically to "AUTO MODE" to avoid wasting energy.

CAUTION: Please make sure the Daylight knob is in the middle position and not on the "⊕" mode (test mode). Otherwise the light will stay on day and night.

SENS (SENSITIVITY)

This knob controls the sensitivity of the motion sensor range. Turning fully clockwise makes the motion sensor most sensitive to warm moving objects. Turn the dial counterclockwise to decrease the sensitivity to avoid false triggering (caused by animals or large plants in the vicinity).

TIME

This knob controls the length of time the light remains on after motion is detected. Every time motion is detected, the timer will time-out and turn the light off at the end of the time setting. If the motion is still in the sensor field, the light will remain on and will only time off after the last movement is detected. Allow for approximately 30 seconds warm-up time before sensor resumes normal activity.

SET UP

Follow these steps to set up your security light for best operation.

1. Turn power switch on and wait 30 seconds for the system's circuit to stabilize.
2. Turn the "daylight" knob fully clockwise to "⊕"(test mode).
3. Turn the "time" knob fully counter-clockwise.
4. Turn the "sens" knob fully counter-clockwise.
5. Aim the control module at the desired target area.
6. Have a person stand approximately in the center of the target area and move slightly. Moving arms up and down is usually sufficient.
7. Slowly rotate the "sens" knob clockwise until the light goes on. The "sens" knob can be rotated either way to the desired sensitivity level.
8. Turn the "time" knob clockwise to adjust the desired length of time the light stays on after the unit is activated. The maximum (full clockwise) is about 6 minutes. The minimum (counter-clockwise) is about 5 seconds.
9. Turn the "daylight" knob to the middle position (auto mode).