

SAFETY INFORMATION

Released Date: 2024-11-08

Please read and understand this entire manual before attempting to assemble, install or operate the product.

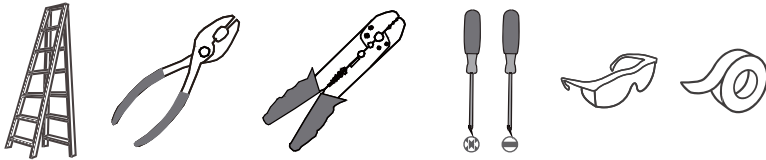
WARNING

- RISK OF ELECTRIC SHOCK - Before beginning installation, turn off electricity at the circuit breaker box or the main fuse box.
- RISK OF FIRE - Use bulbs specified by the markings and/or labels on the fixture.

CAUTION

- For your safety, read instructions completely before beginning installation.
- If in doubt about electrical installation, consult a licensed electrician.
- Turn off electricity to fixture and allow the bulbs to cool before replacing the bulb(s).
- Use only LED lamps in this luminaire. Incandescent and halogen lamps may cause thermal damage.

TOOLS REQUIRED

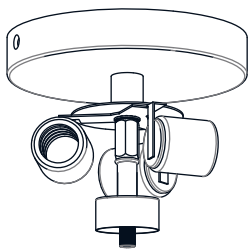


CARE AND MAINTENANCE

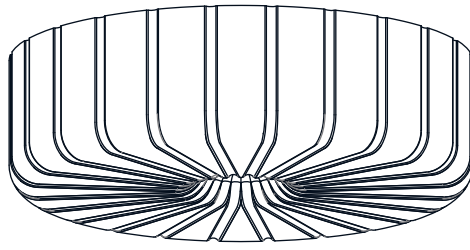
- Wipe clean using soft, dry cloth or static duster. Always avoid using harsh chemicals and abrasives to clean fixture as they may damage the finish.

If you need further assistance call Quoizel Customer Care at 1-800-645-3184 (9:00am - 5:00pm EST), or visit us on-line at www.quoizel.com.







PACKAGE CONTENTS



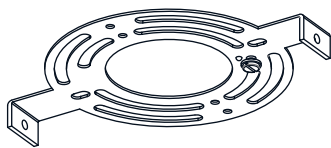
A Fixture Body
x 1



B Glass Shade
x 1

-  **C** Big Flat Washer
x 1
-  **D** Big Rubber washer
x 1
-  **E** Small Flat Washer
x 1
-  **F** Small Rubber Washer
x 1
-  **G** Hex Nut
x 1
-  **H** Finial
x 3

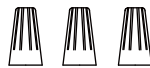
MOUNTING HARDWARE



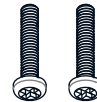
AA Crossbar
x 1



BB Mounting Screw
x 2



CC Wire Connector
x 3



DD Outlet Box Screw
x 2



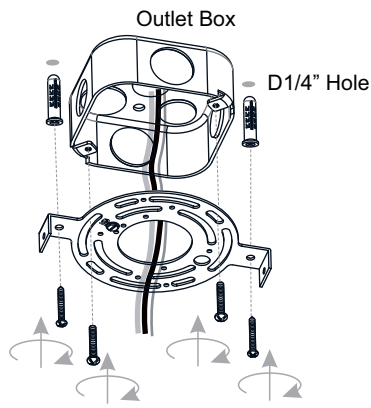
EE Wall Anchor
x 2



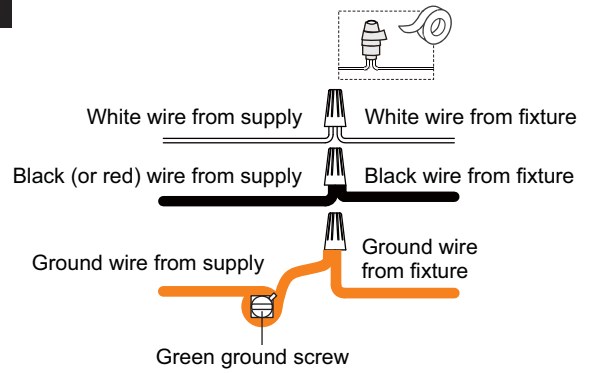
FF Screw
x 2

INSTALLATION

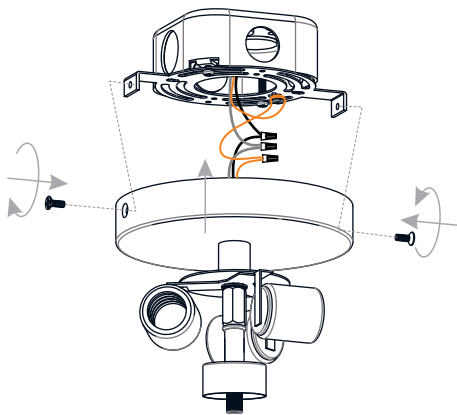
1 Install Crossbar



2 Wiring



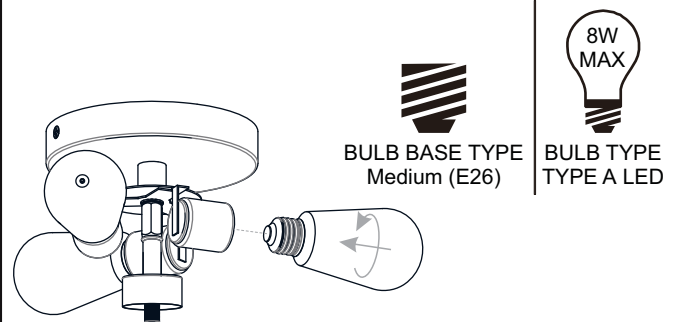
3 Install Fixture Body to Crossbar



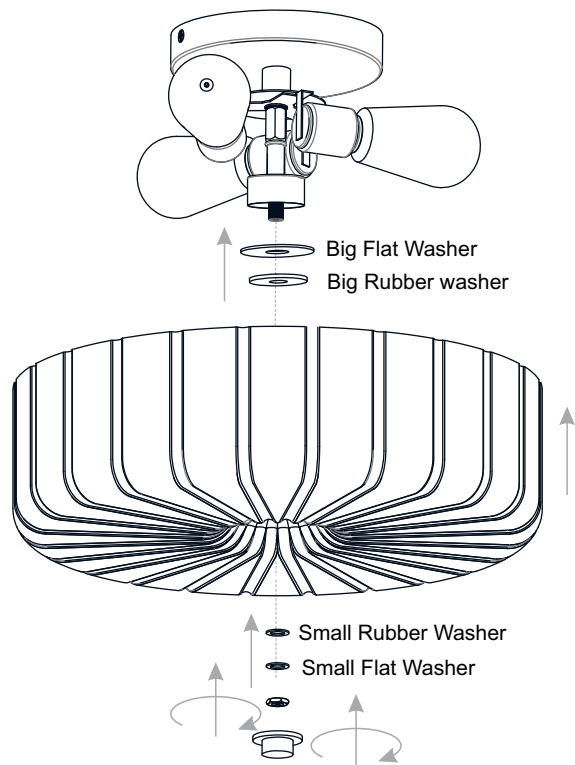
4 Install Bulbs

Install three correct bulbs referring to fixture markings and/or labels for maximum wattage.

Recommended Bulb type (not included):



5 Install Glass Shade



Choose one of the following finials to secure the shade.



Your installation is now complete! Restore electricity and save this sheet for future reference.