

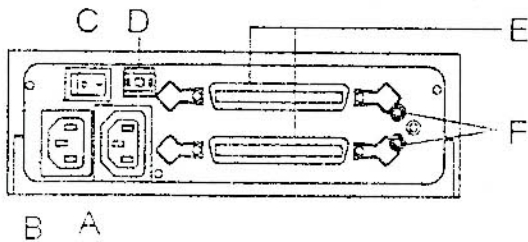
# External Storage Box

SNT 2501 IDE/SCSI

## Installation Guide

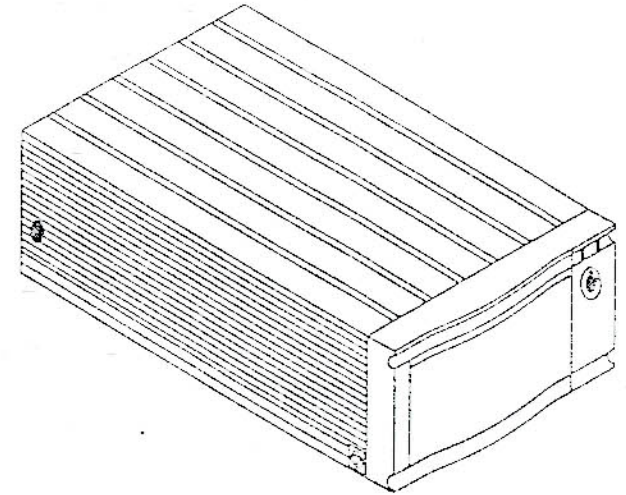
### Bird's-eye View

- a) Working indicator
- b) ID Switch--4pin for SCSI I/II, 5Pin for SCSI-III
- c) 40 pin cable(IDE), 50 pin cable(SCSI I/II), 68 Pin cable (SCSI III)
- d) Audio output
- e) Cooling fan(ball bearing) /5 \* 5 cm



### Back View

- a) Power output
- b) Power input
- c) Power switch
- d) ID Switch: a) 0~7 for SCSI I/II  
b) 0~15 for SCSI III
- e) Connector - IDE/SCSI I/II/III
- f) Audio output(for CD-ROM only)



1. Press the hook-button on both sides to open the box.
2. Use the enclosed screwdriver to prop up the cover.
3. Install you devices(HDD,CD-ROM, MO....etc).
  - a) For CD-ROM --Install the CD-ROM and join the connector, power & RCA jack then fasten the screws(enclosed) on both sides.
  - B) For HDD---Install the HDD and join the connector & power then fasten the screws(enclosed) on both sides. (\*If you install HDD on 2501 series, optional bracket should be used.).
  - c) For other devices, read the instructions on your device manual.

4. Join the connectors with the following descriptions --

Color	Red	Blue	Yellow	Black
ID SW	1	2	4	COM

HDD LED Out		
Color	Yellow	White
Yellow LED	+	-

ID Switch (wide SCSI)					
Color	Red	Blue	Yellow	Brown	Black
ID SW	1	2	4	8	COM

Audio			
Color	Red	White	Black
RCA Jack	Right	Left	COM

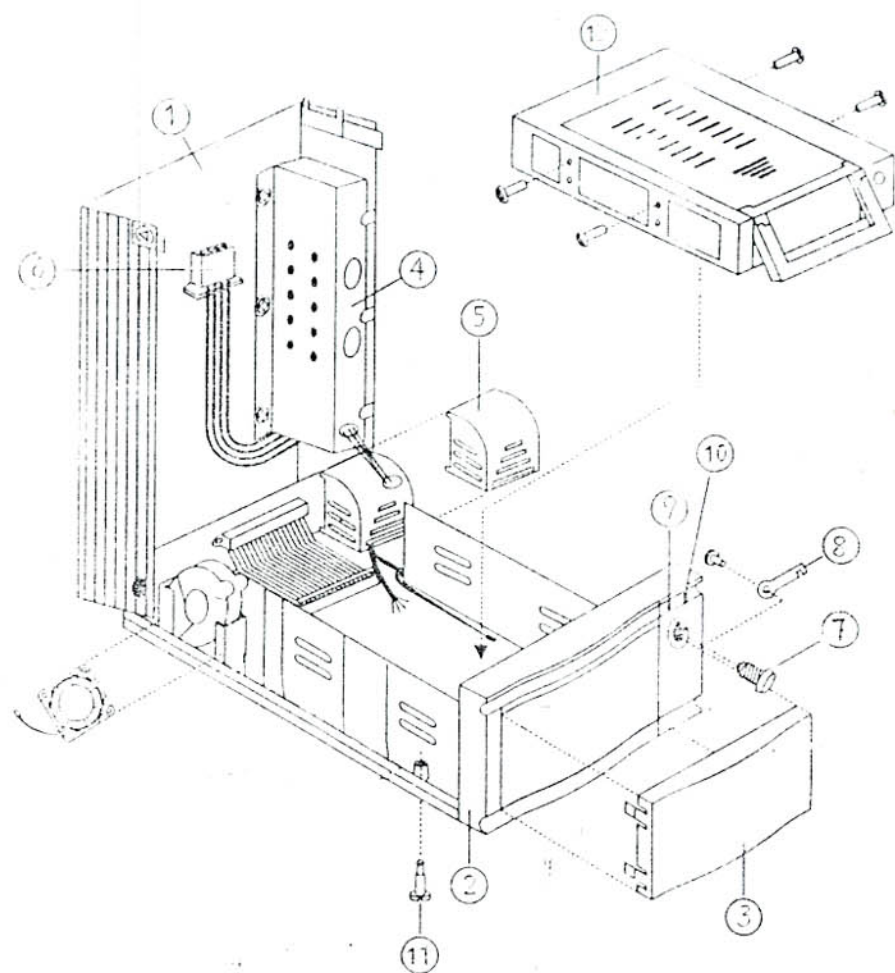
(For CD-ROM)

Power				
Color	Red	Black	Black	Yellow
DC power	+5	COM	COM	+12

5. If you use IDE/AT-Bus interface,you should use the enclosed drive disks to setup your system
6. Close the cover

Notes:

There is also a second screw-lock at the left side of the bottom. The box is completely locked when you fasten both the screw-lock and your front lock. To keep your data safe, it is strongly suggested that you fasten both locks to prevent vibration and shock during transportation. After service Email: [snt@mail.apate.com.tw](mailto:snt@mail.apate.com.tw).



Parts Description -

- |                   |                      |
|-------------------|----------------------|
| 1)Cover           | 2)Front panel frame  |
| 3)Front panel     | 4)Power shield plate |
| 6)5V/12V Power    | 5)Wires cover box    |
| 7)Key lock        | 8)Lock pin           |
| 9)HDD working LED | 10)Power LED         |
| 11)Screw lock     |                      |
- 1) Device you want to install(CD-ROM, Mobile Rack, Floppy Disk, Mo...etc)  
 2) If CD-ROM, Mobile rack is used take off the front panel and use optional aperture from panel.