

Clara 6032CF AFR AcrylX Freestanding Bathtub

Model number:

W1AX6032FTO-WH

Dimensions: 60" x 32" x 26.625"

Installation: Freestanding

Material: AcrylX™



Standard Features:

- 2-piece freestanding bathtub
- Symmetrical transitional design
- Faucet can be deck-mounted or floor-mounted
- Above-the-Floor Rough (AFR)
- Available F2 Drain option allows quick drain connection and perfect alignment for easy installation

Product characteristics:

- 1 Tub - 2 Pieces
- F2 Drain compatible
- Space saving

Standard Colors:



White

Certifications

AQUATIC products adhere to one or more of the following certifications:



Clara 6032CF AFR AcryIX Freestanding Bathtub

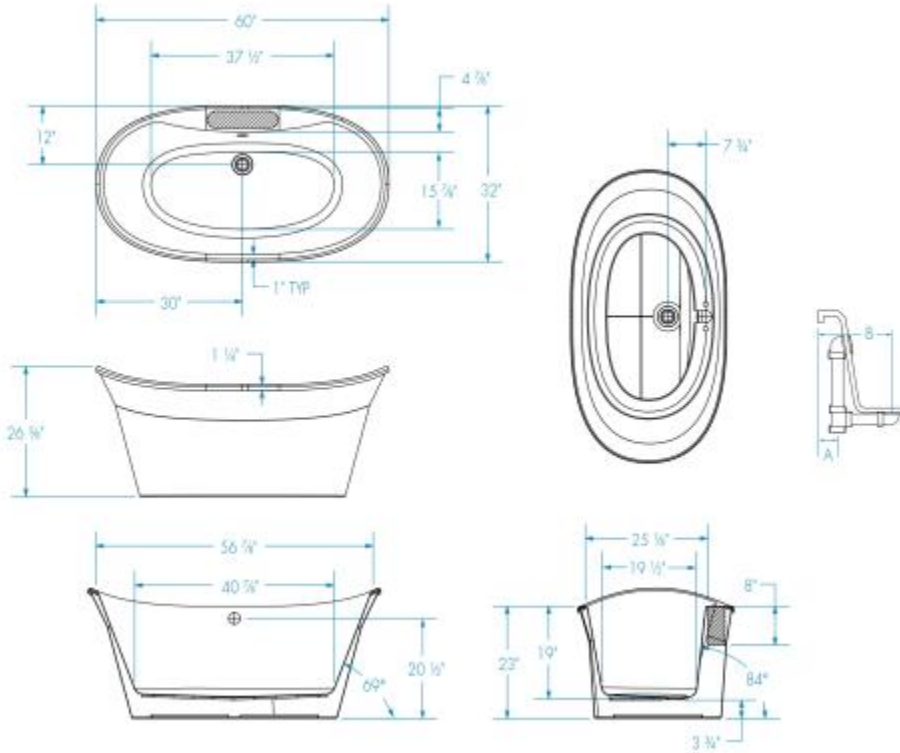
Model number:

W1AX6032FTO-WH

Dimensions: 60" x 32" x 26.625"

Installation: Freestanding

Material: AcryIX™



Dimensions

60 x 32 x 26 3/4 In.
(1524 x 813 x 676 mm)

Water Capacity

48 gallons

Weight

95 lbs - 43 kg

Bathing Well

41 In. x 19 1/2 In.
(1038 mm x 495 mm)

Deep Sump Height

18.5 In. - 470 mm

Drain location:

Front Center

Project:

Contractor:

Representative:

Date:

Tel:

Notes:

