









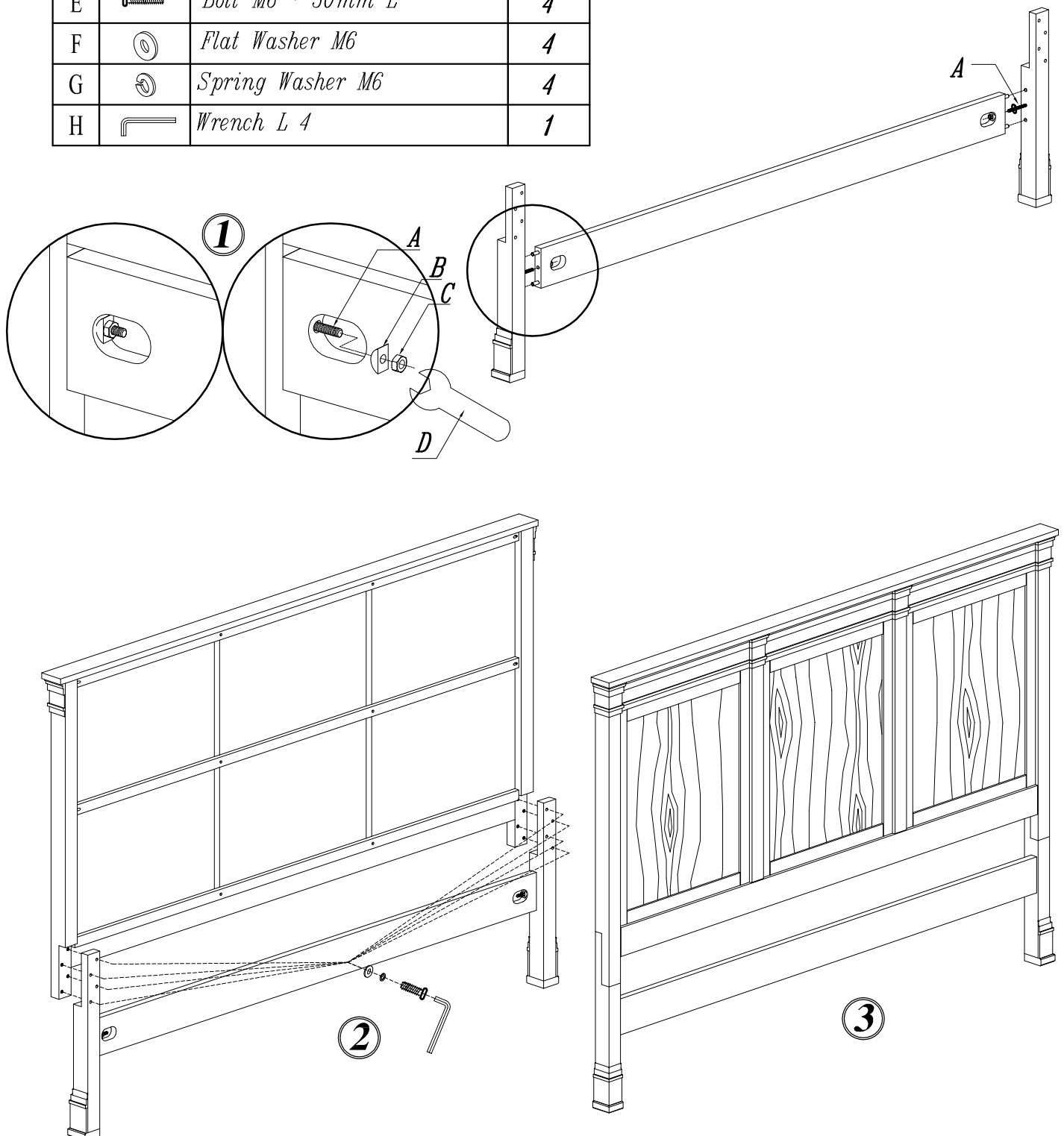
# HEKMAN

## ASSEMBLY INSTRUCTIONS

**X** A HOWARD MILLER COMPANY

25664 H / 25665 H - Queen / King Bed Headboard

NO.	Hardware List		Q'ty
A		Double Thread M8 * 100mm	2
B		Half Moon Washer	2
C		Nut M8	2
D		Wrench 13mm	1
E		Bolt M6 * 50mm L	4
F		Flat Washer M6	4
G		Spring Washer M6	4
H		Wrench L 4	1



MADE IN INDONESIA