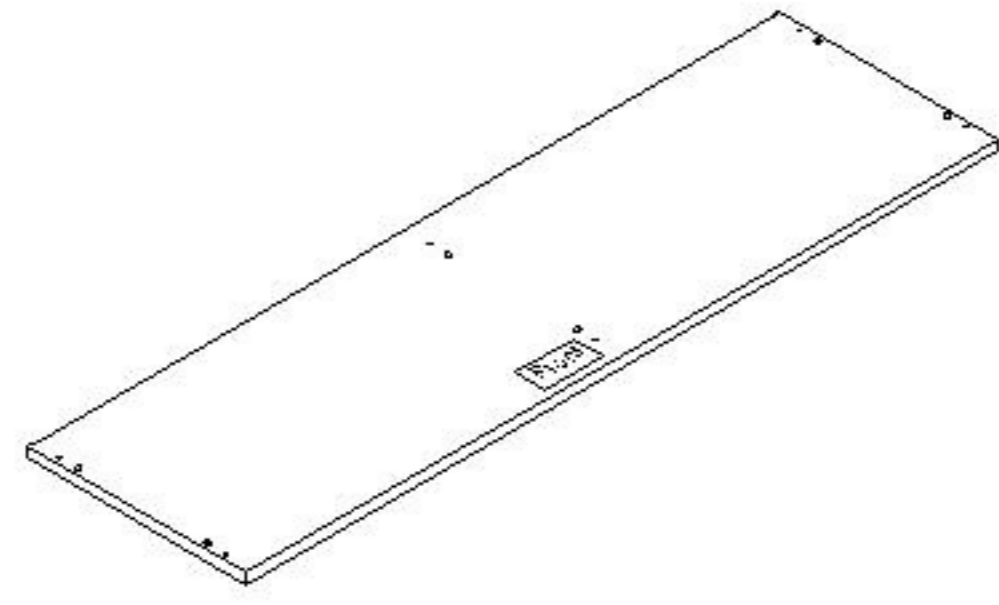


ASSEMBLY INSTRUCTION

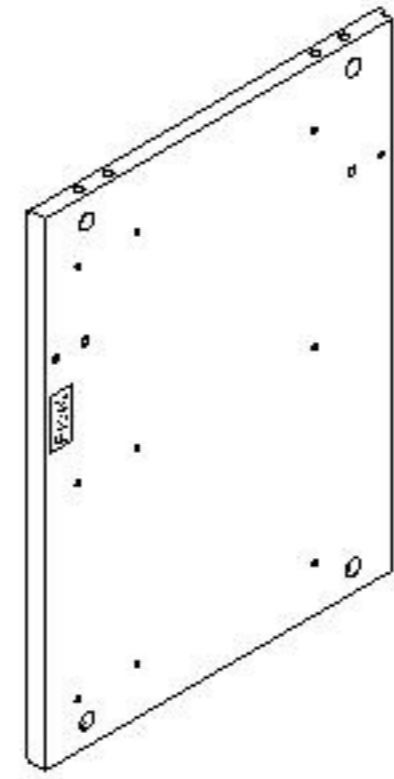
6-DRAWER DRESSER

A Top Panel



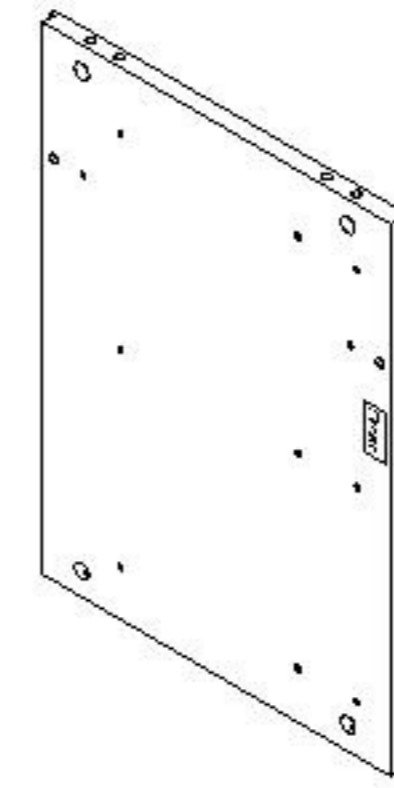
1pc

B Left Side Panel



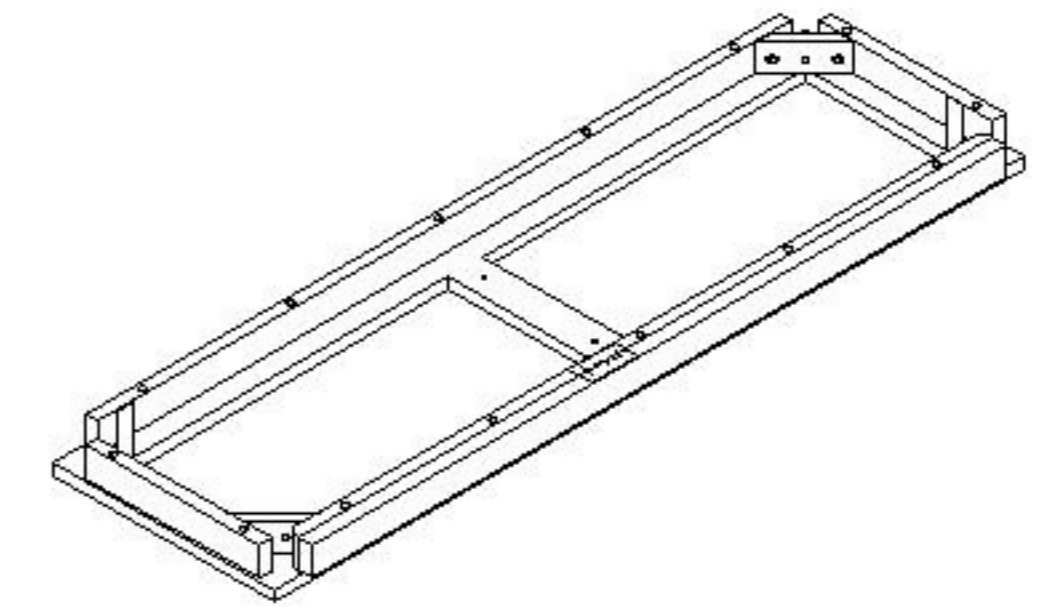
1pc

C Right Side Panel



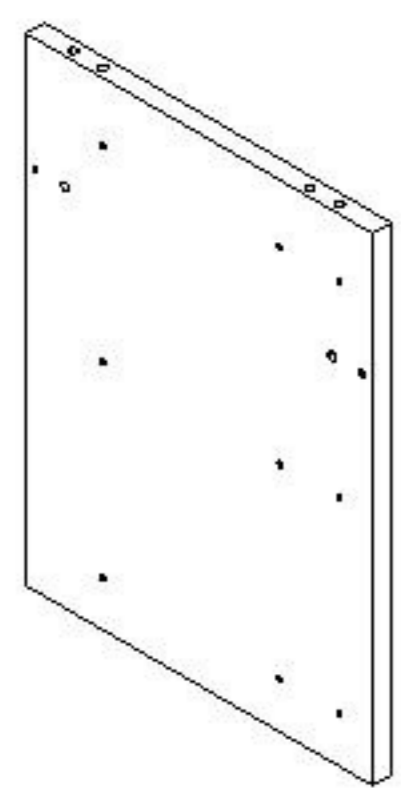
1pc

D Bottom Frame



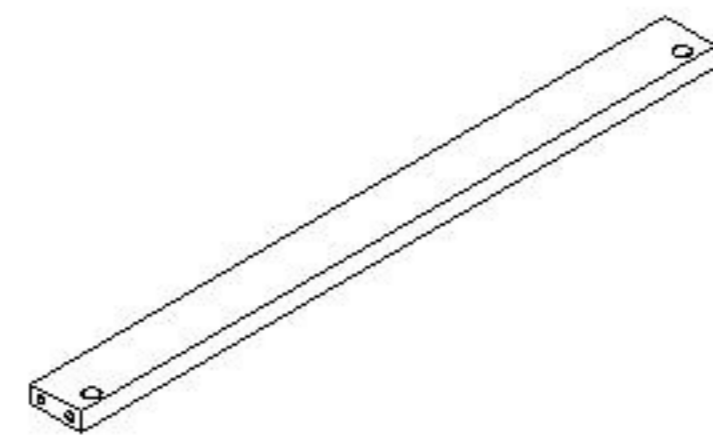
1pc

E Partition



1pc

F Center Bar



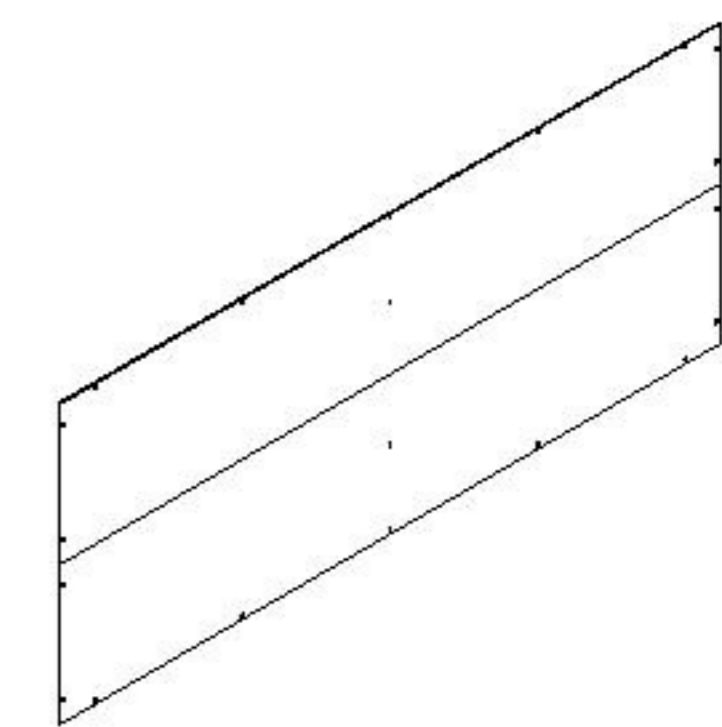
4pcs

G Post



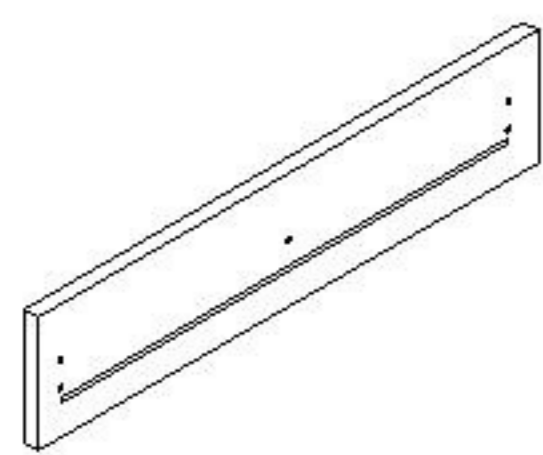
4pcs

H Back Plywood



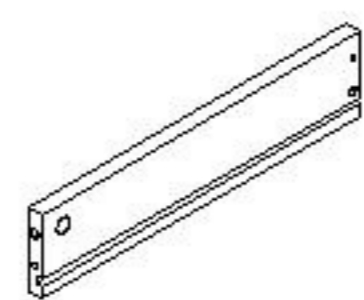
1pc

I Small Drawer Front (Left)



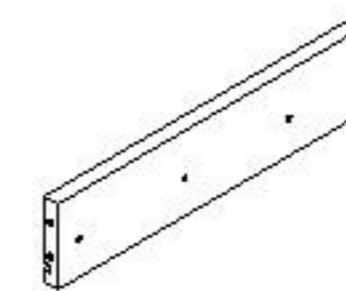
1pc

J Small Drawer Side (Left)



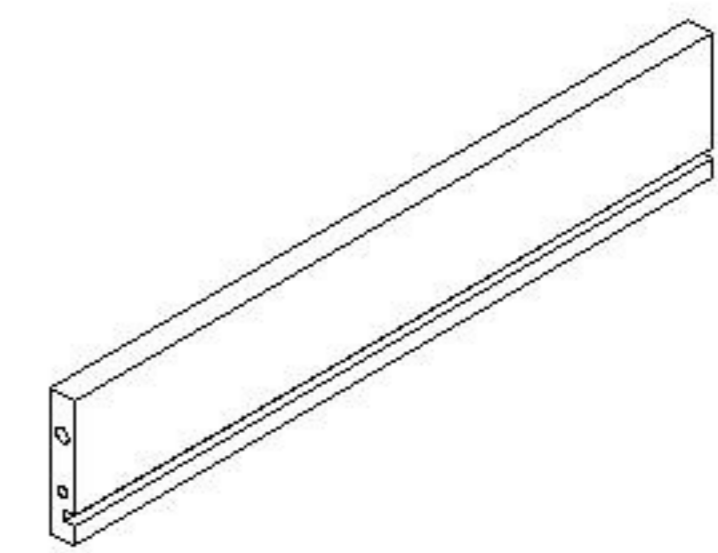
2pcs

K Small Drawer Side (Right)



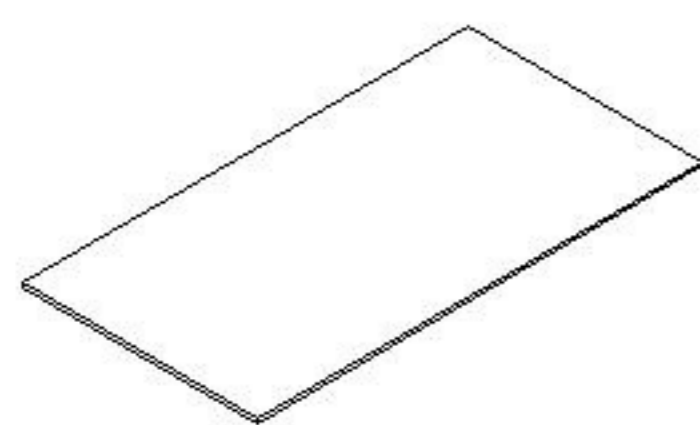
2pcs

L Small Drawer Back



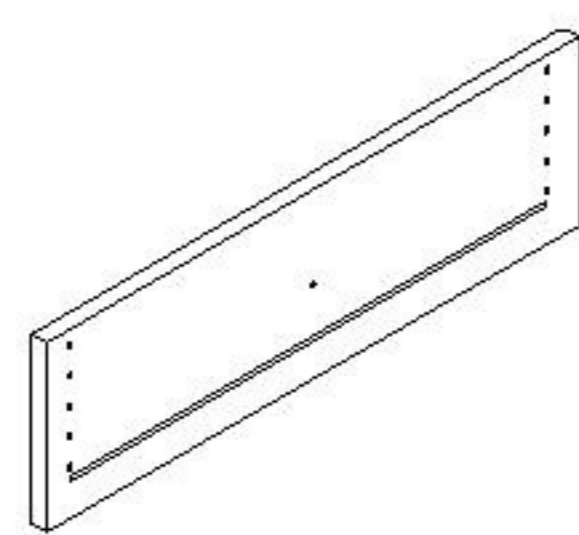
2pcs

M Drawer Base



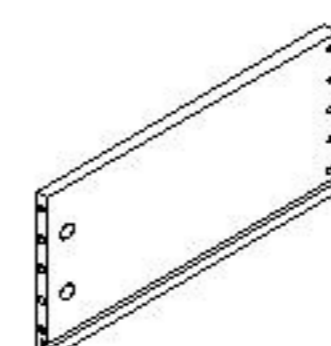
6pcs

N Big Drawer Front (Left)



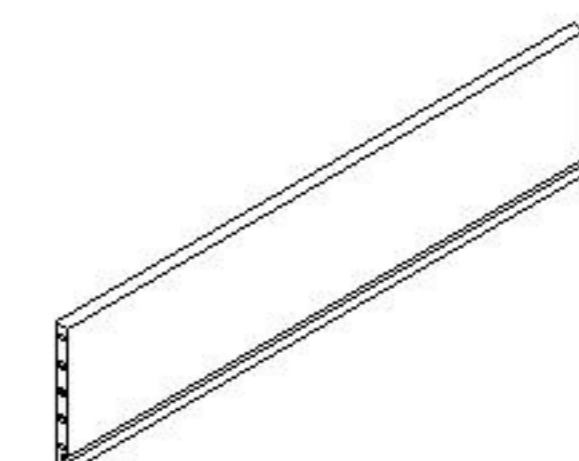
2pcs

O Big Drawer Side (Left)



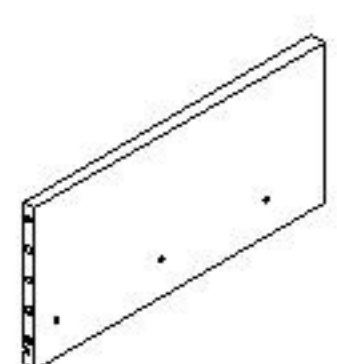
4pcs

P Big Drawer Back



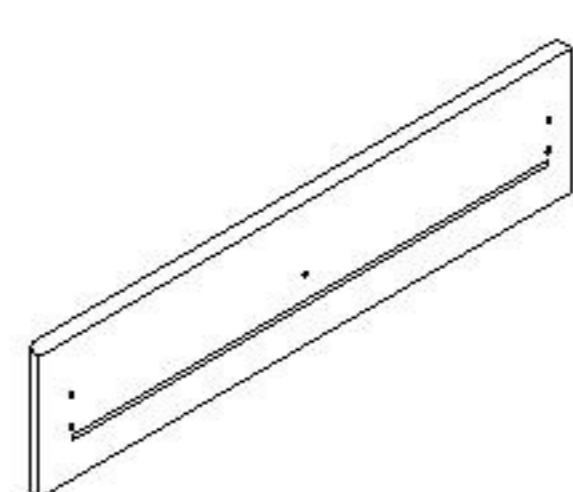
4pcs

Q Big Drawer Side (Right)



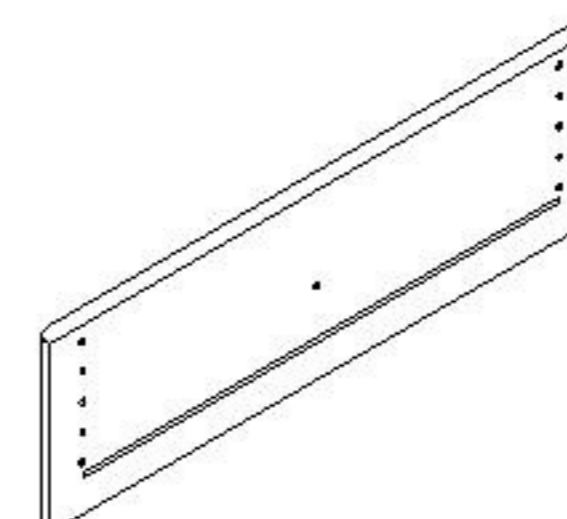
4pcs

R Small Drawer Front (Right)



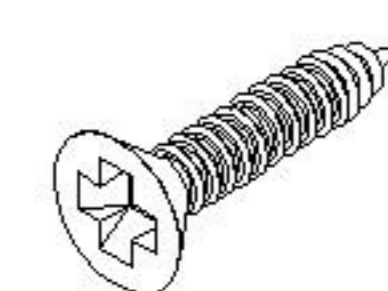
1pc

S Big Drawer Front (Right)



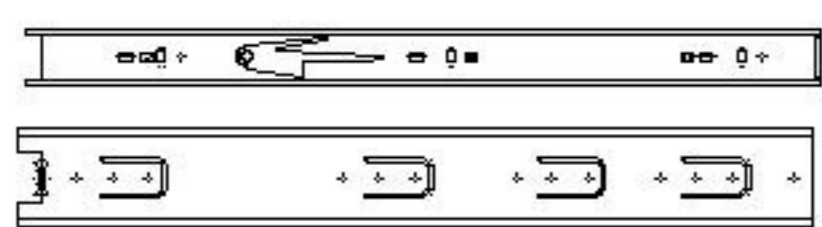
2pcs

T Screw M3*16MM



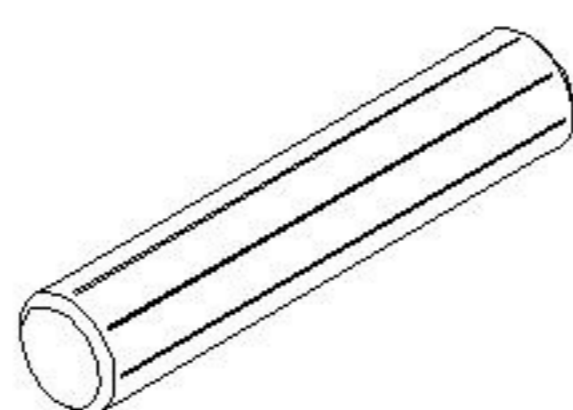
72pcs

U Extension Runner
350mm



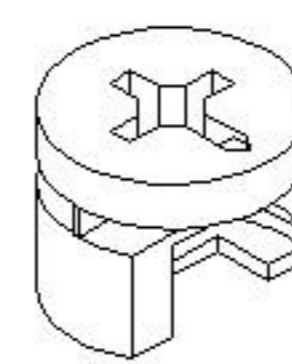
6sets

V Dowel
M8*35mm



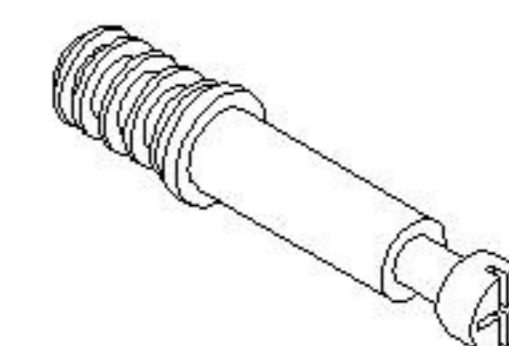
20pcs

W Cam Lock
15*12



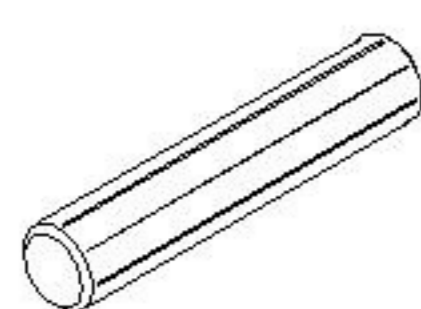
58pcs

X Cam Bolt
5*25



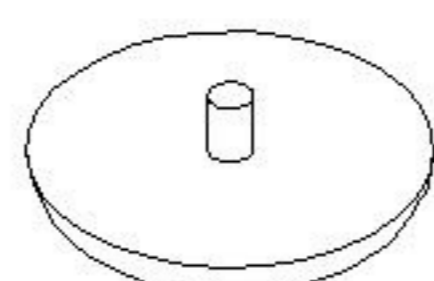
58pcs

Y Dowel
M6*30mm



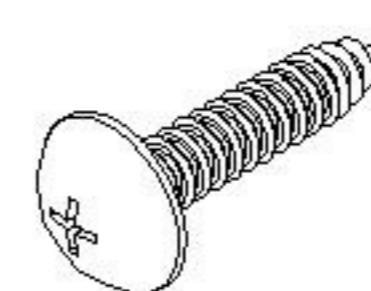
56pcs

Z Cam Lock Cover
17*5



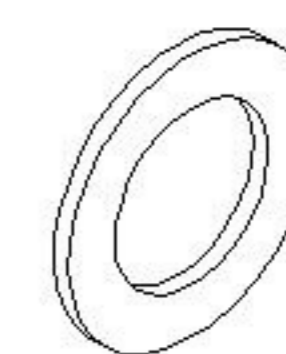
58pcs

AA Panhead Screw
M4*16mm-Black



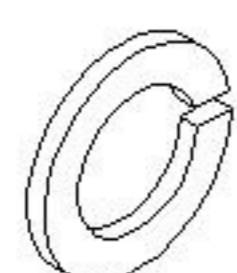
20pcs

AB Flat Washer
M8



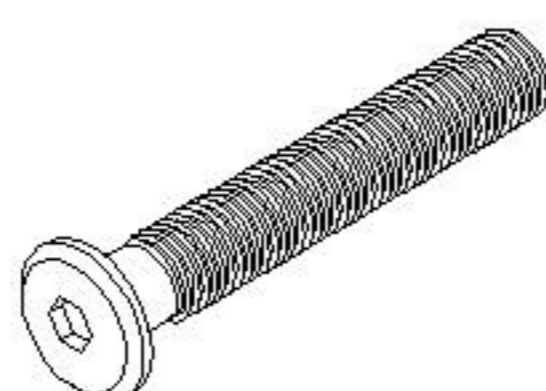
4pcs

AC Spring Washer
M8



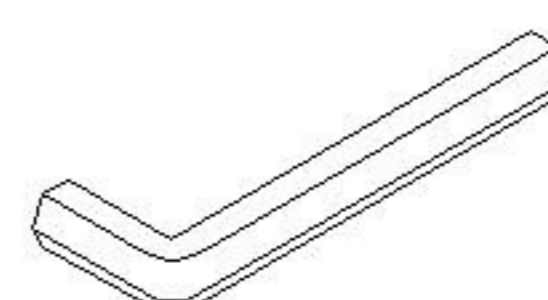
4pcs

AD JCBC Bolt
M6*60mm



4pcs

AE Allen Key
M4



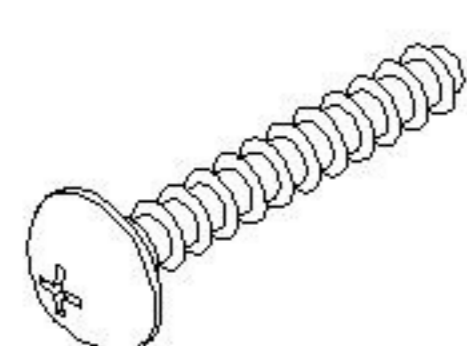
1pc

AF Handle



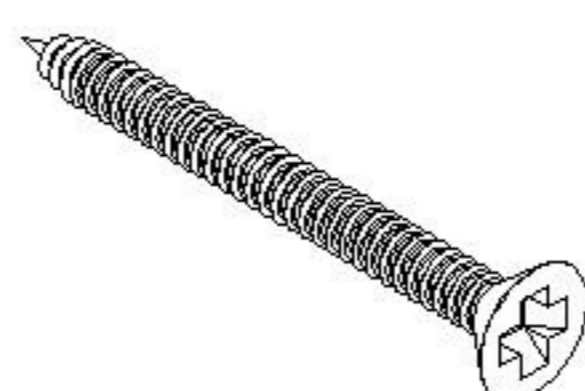
6pcs

AG Panhead Screw
M4*25mm



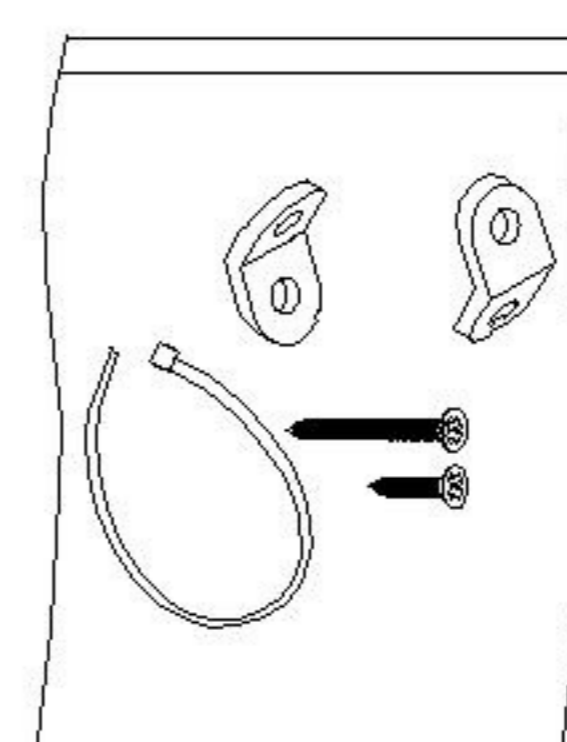
6pcs

AH Screw
M4*38mm

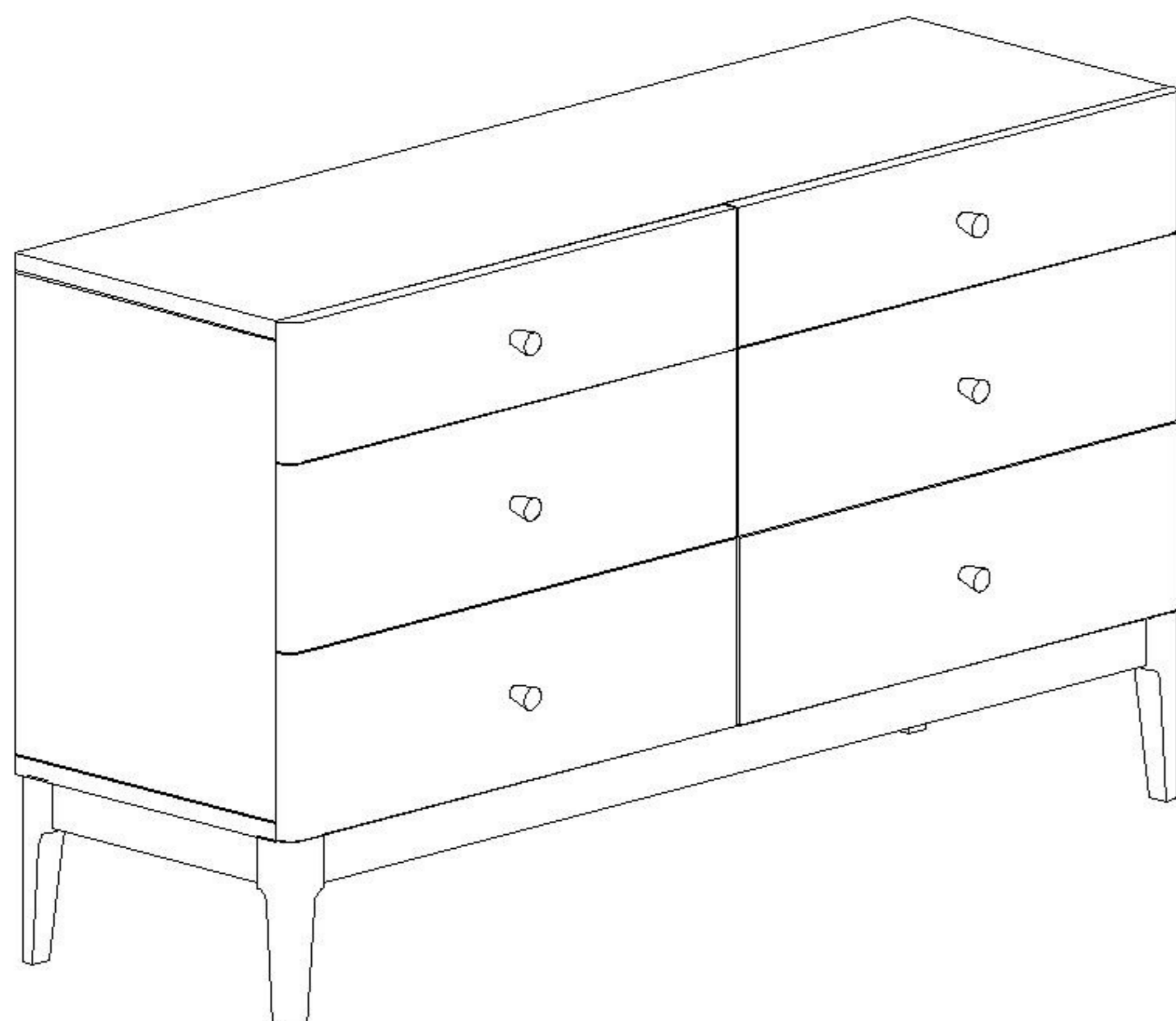


2pcs

AI Anti-Tipping Kit



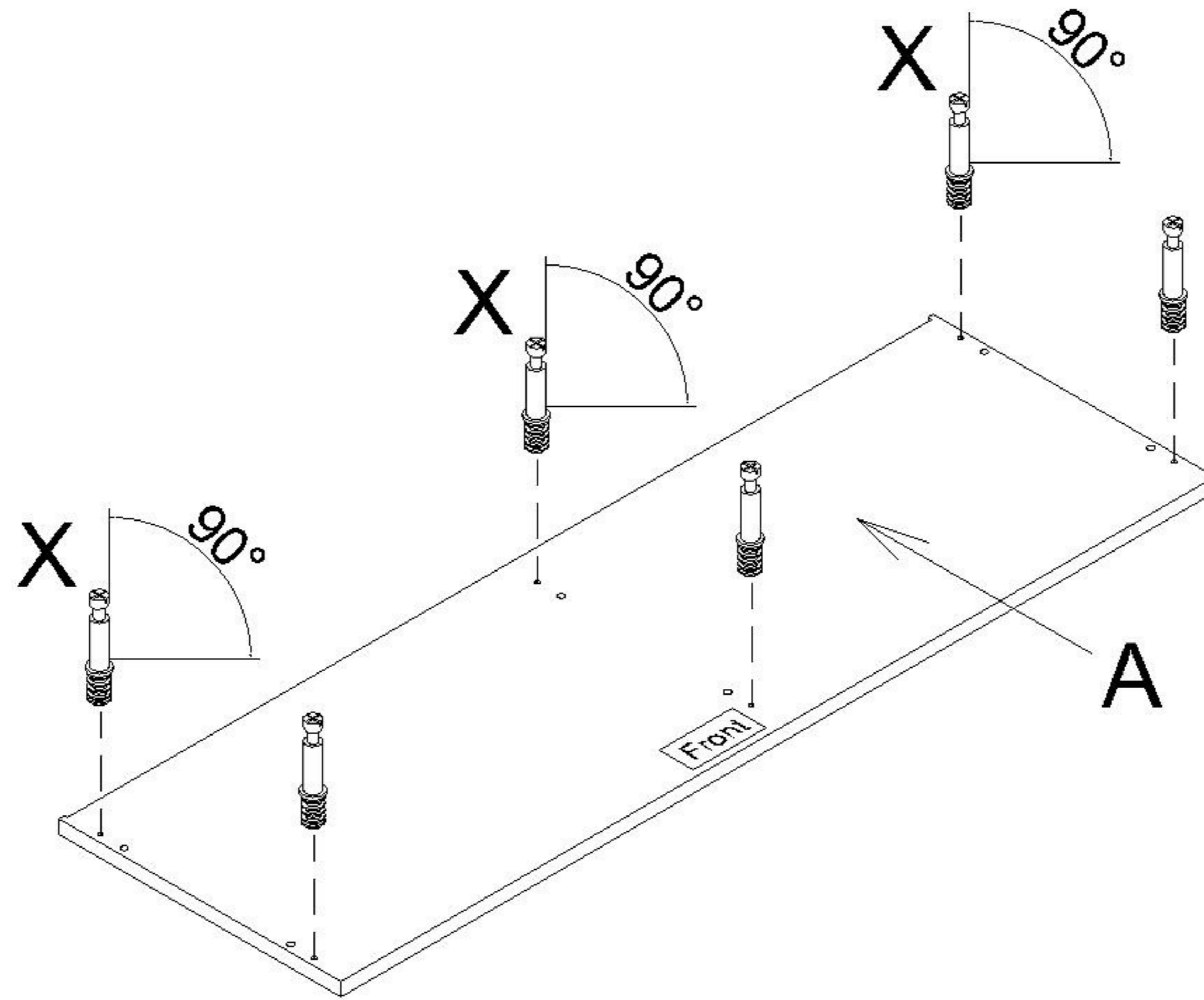
1set



This pages lists all the contents included in the box. Please take the time to identify the hardware as well as the individual components to this product. As you unpack and prepare for assembly, place the contents on a carpeted or padded area to protect them from damage.

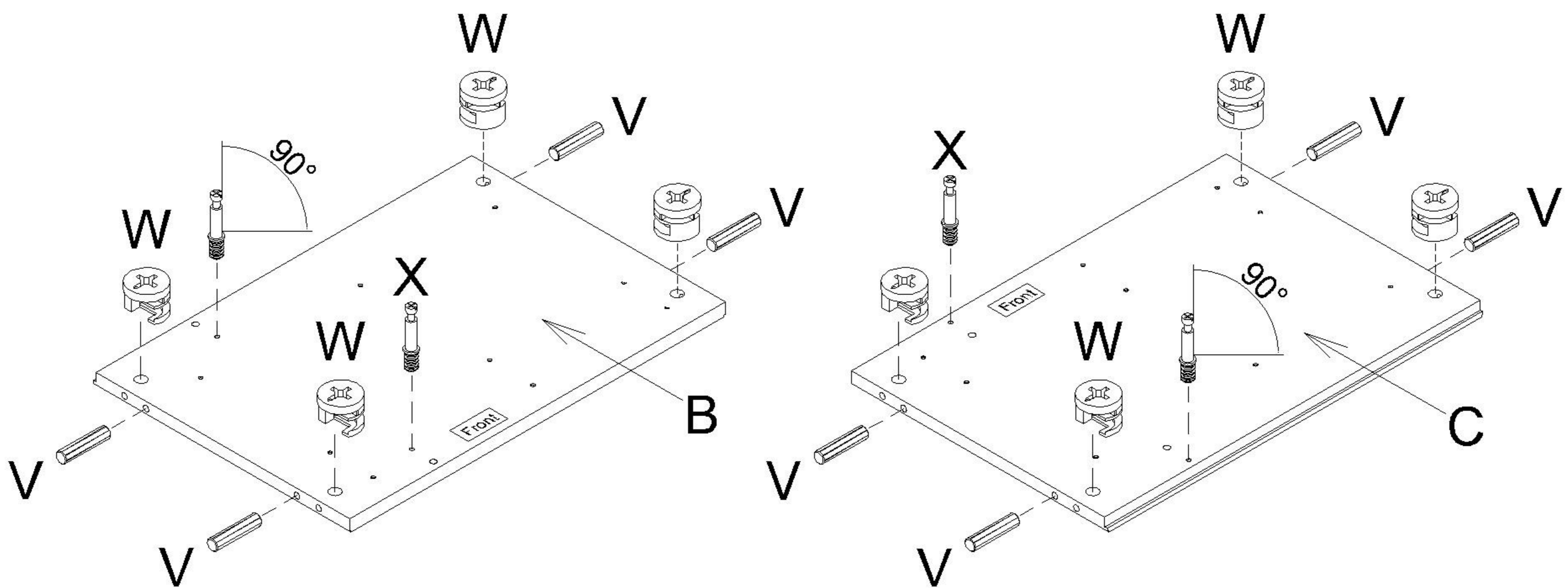
1

Insert and secure Cam Bolt (X) to Top Panel (A).

**2**

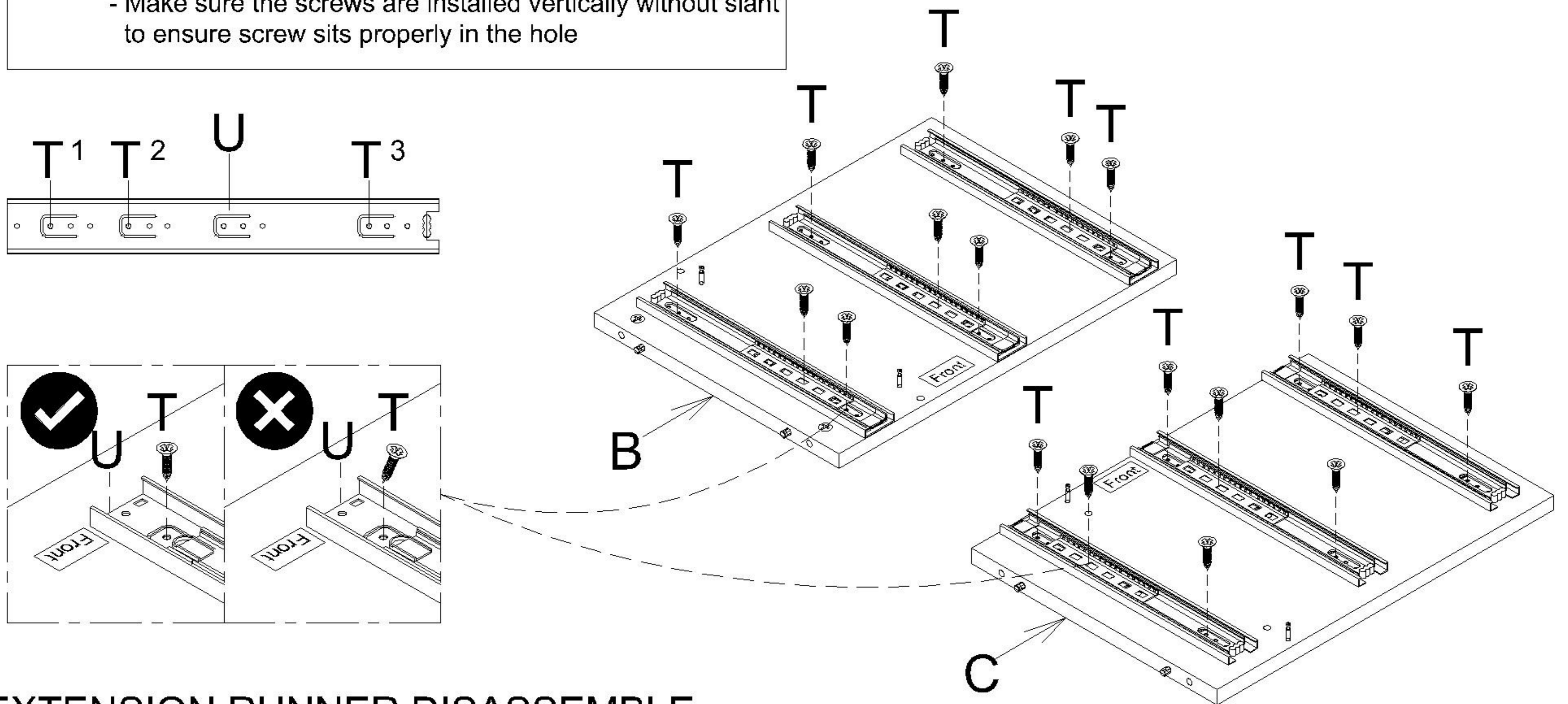
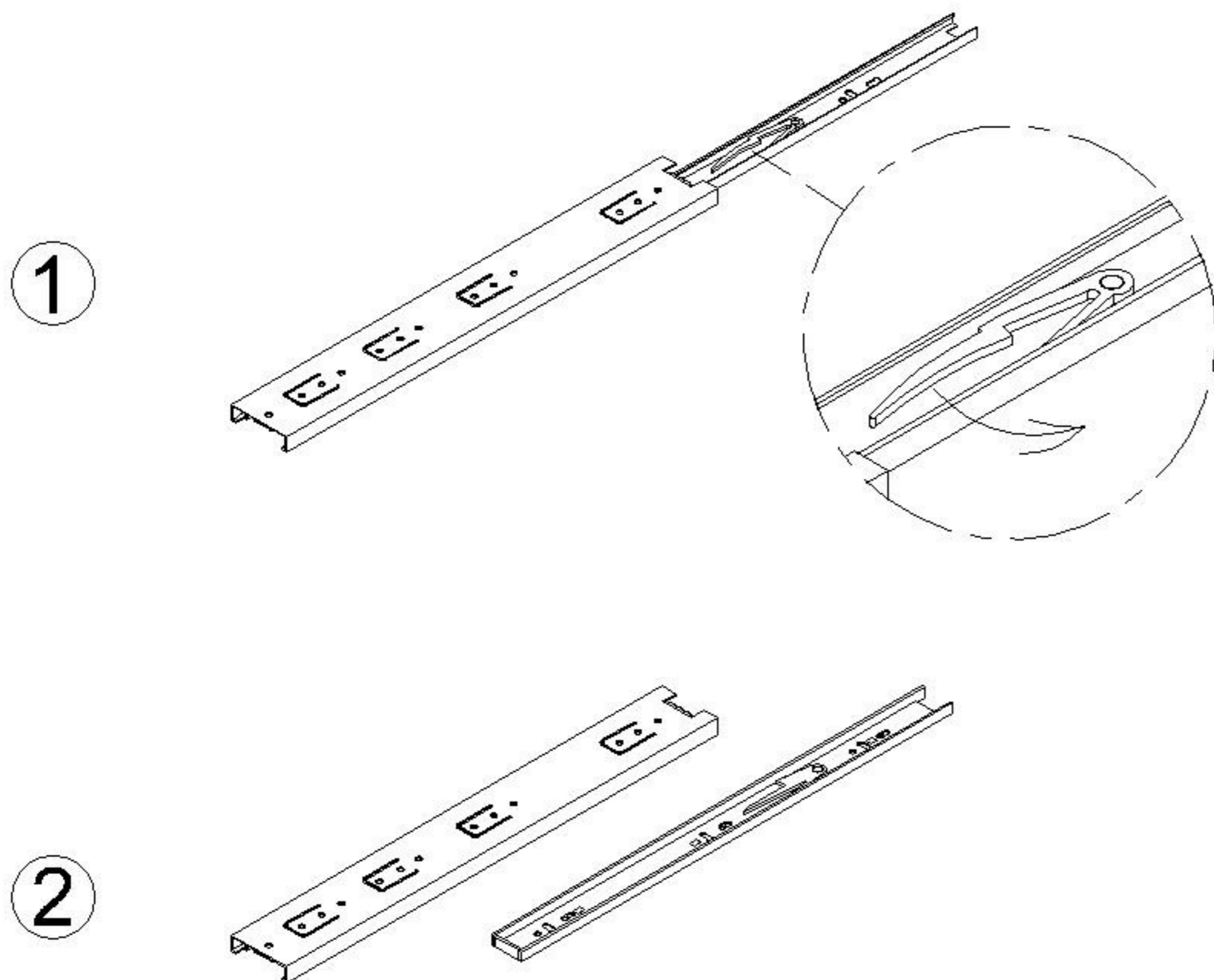
Insert Dowel (V) to Left & Right Side Panel (B & C). Attach Cam Lock (W) to Left & Right Side Panel (B & C). Attach Cam Bolt (X) to Left & Right Side Panel (B & C).

NOTE : - Make sure arrows on each Cam Lock points towards nearest edge with holes



3**Attach Extension Runner (U) to Left & Right Side Panel (B & C) using Screw (T) to secure.**

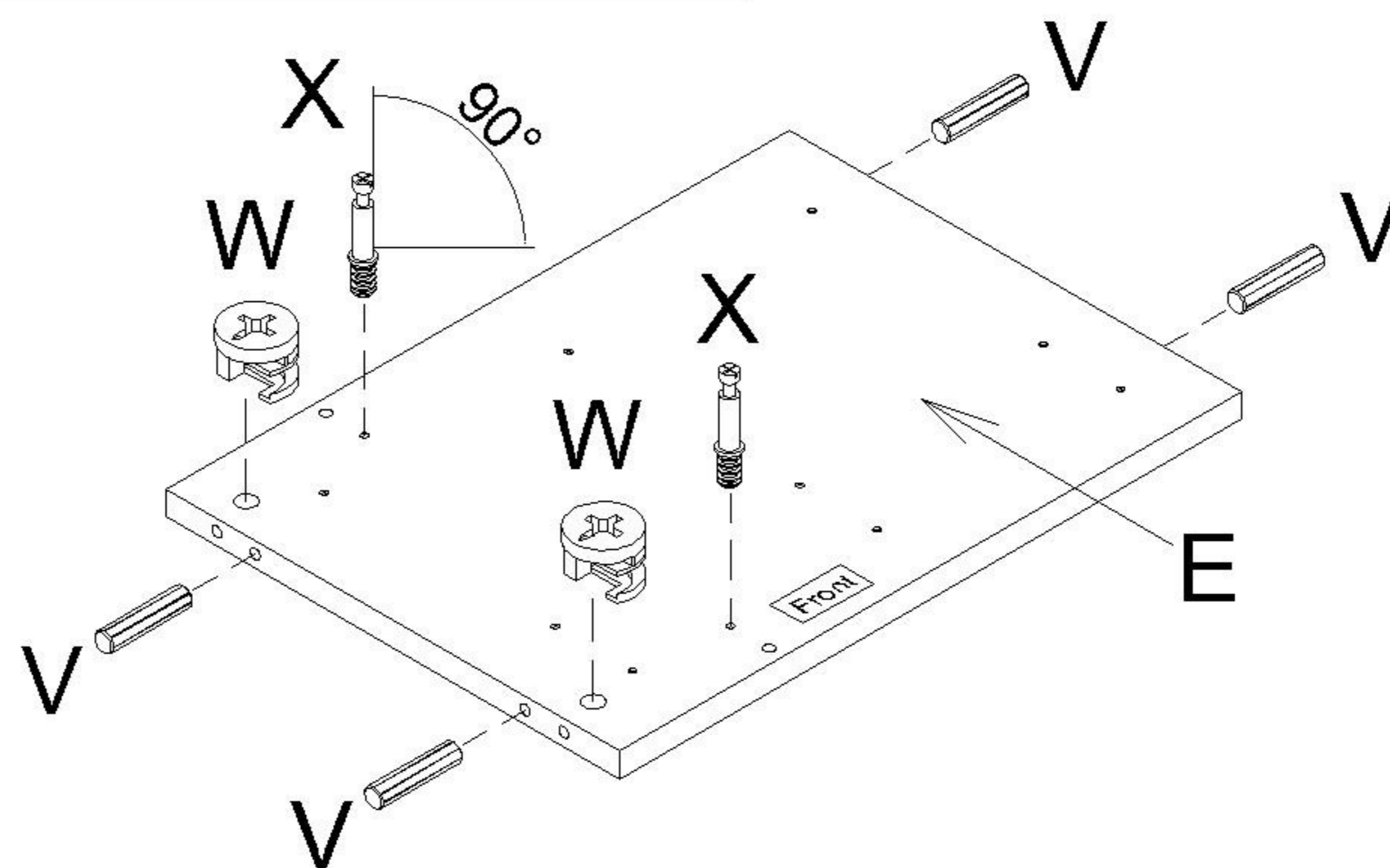
NOTE : - Runner roller should be towards the front of the panel
 - Screw (T) should be assembled from the front of the runner. Start from T¹, T² then T³
 - Make sure the screws are installed vertically without slant to ensure screw sits properly in the hole

**EXTENSION RUNNER DISASSEMBLE STEPS:**

Disassemble the glides to tighten on panel. Glides will be disassembled in 2 parts, 1 part to fix on side panel and the other part to fix on drawer side.

4**Insert Dowel (V) to Partition (E). Attach Cam Lock (W) to Partition (E). Attach Cam Bolt (X) to Partition.**

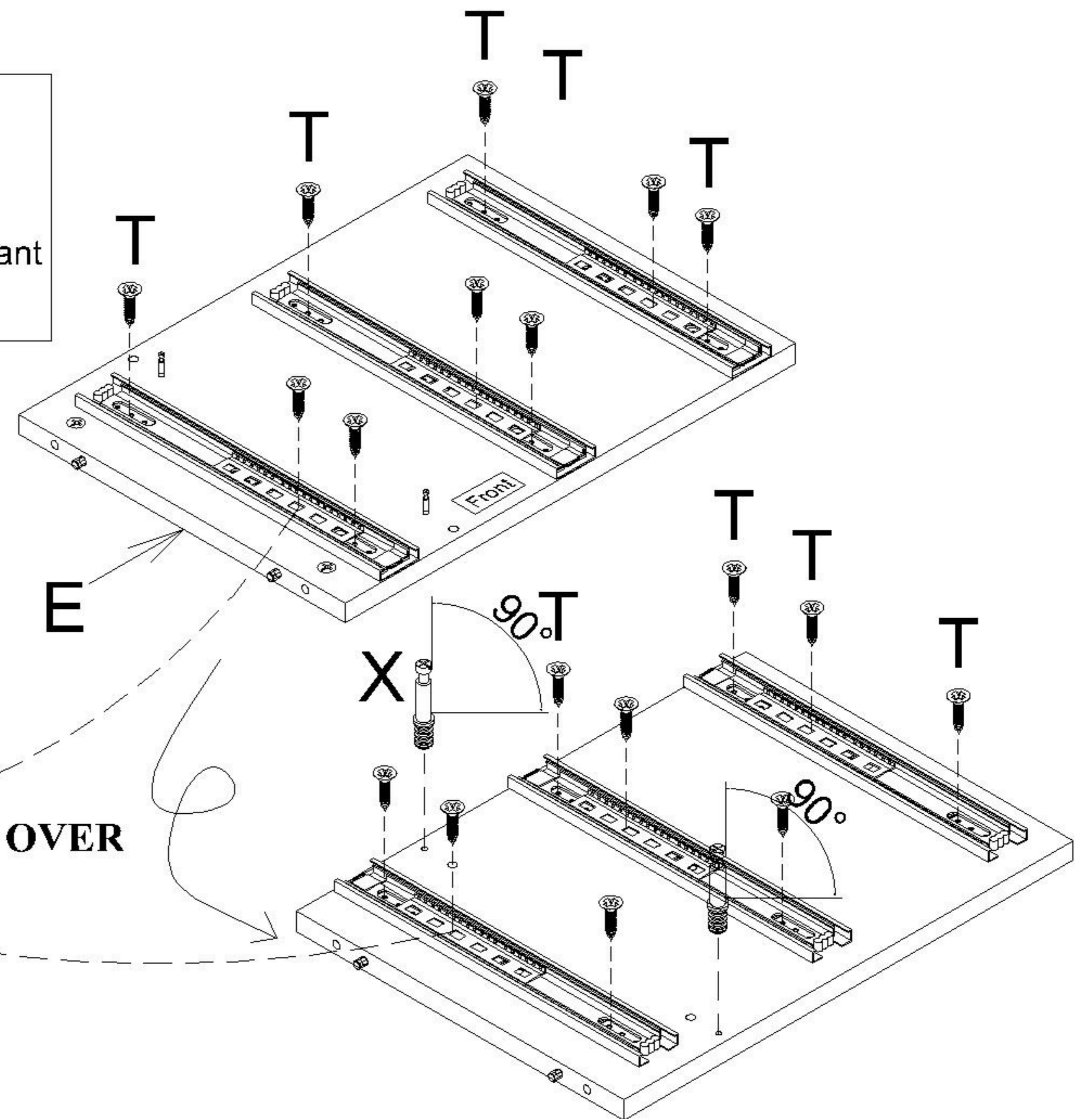
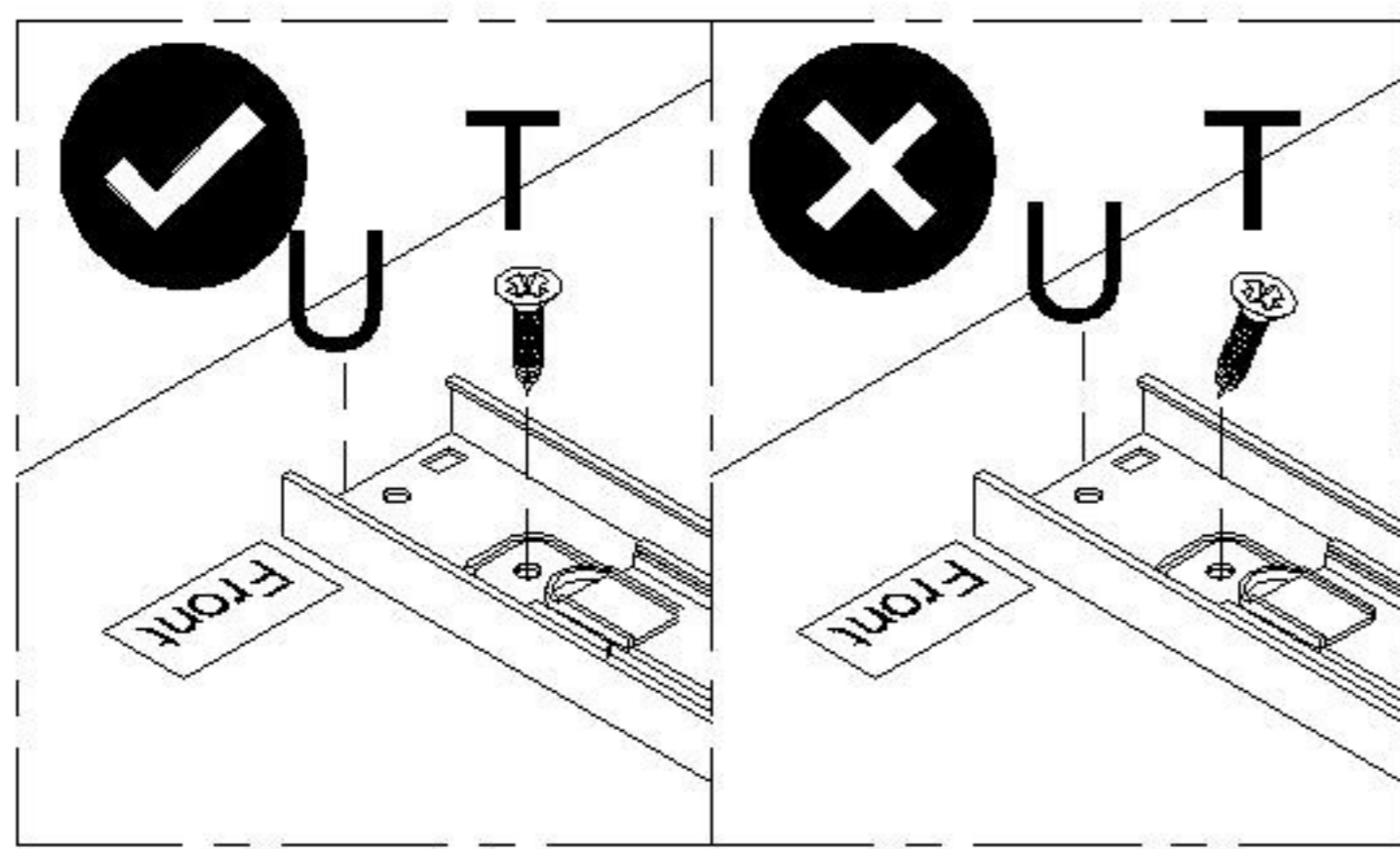
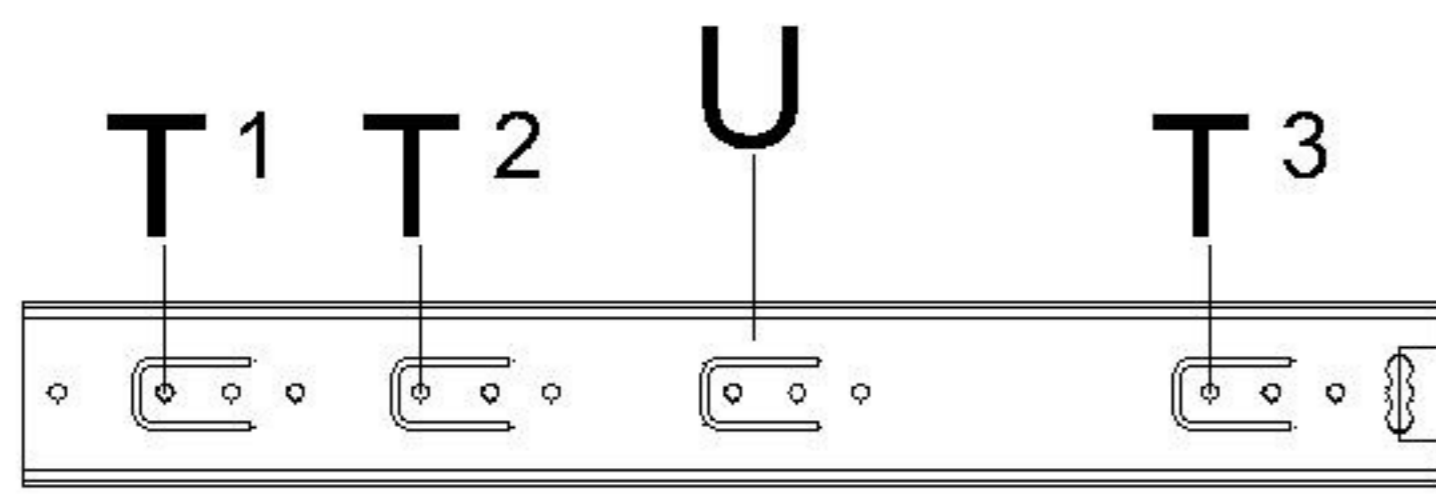
NOTE : - Make sure arrows on each Cam Lock points towards nearest edge with holes.



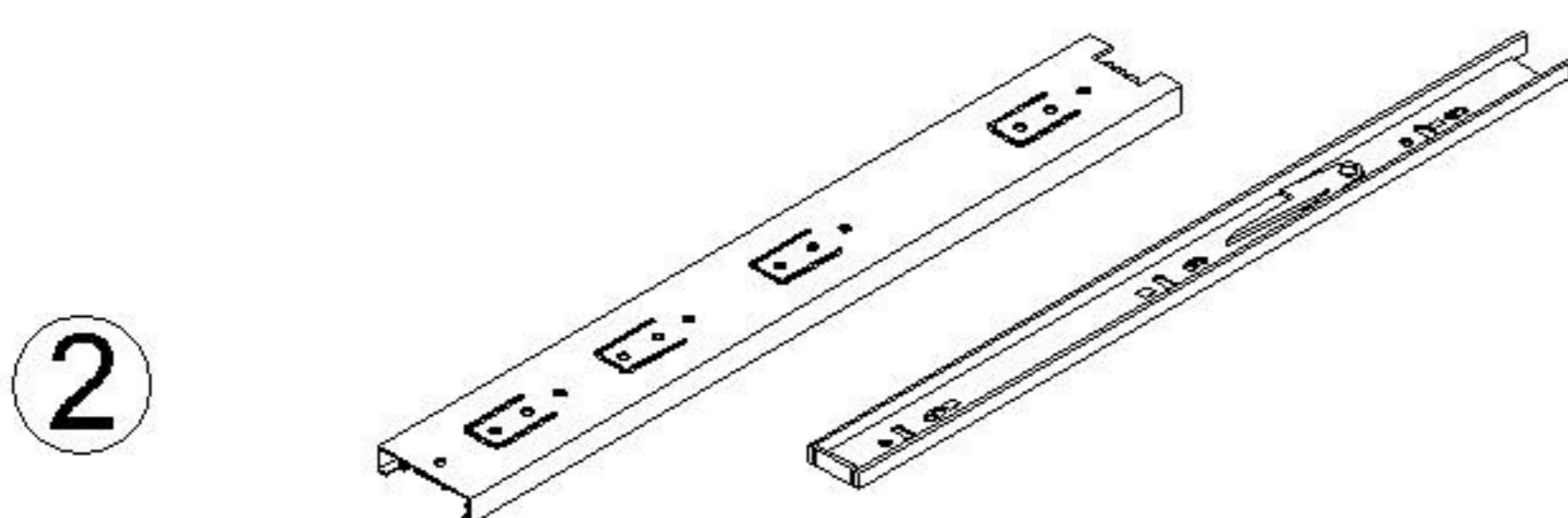
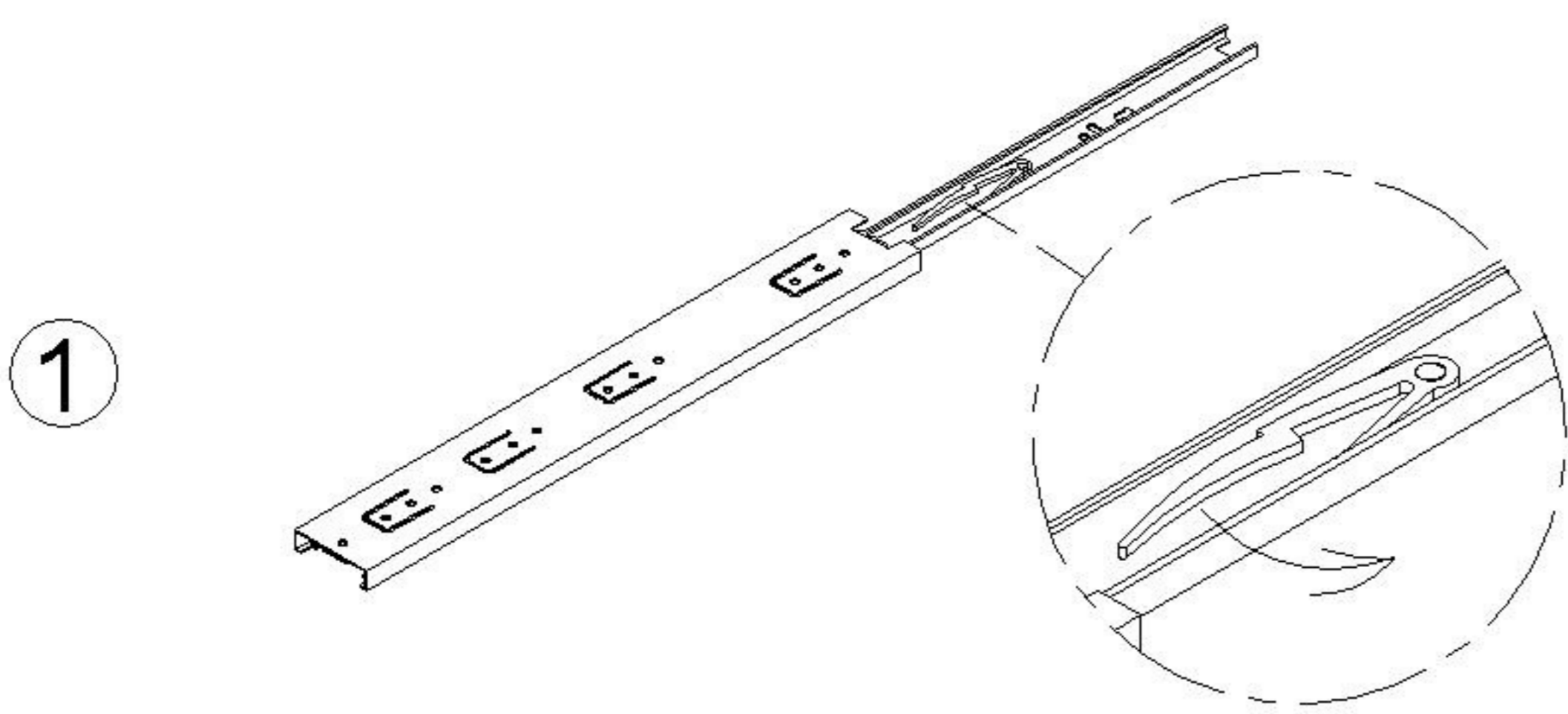
5

Attach Extension Runner (U) to Partition (E) using Screw (T) to secure. Attach Cam Bolt (X) to Partition (E).

NOTE : - Runner roller should be towards the front of the panel
 - Screw (T) should be assembled from the front of the runner. Start from T¹, T² then T³
 - Make sure the screws are installed vertically without slant to ensure screw sits properly in the hole



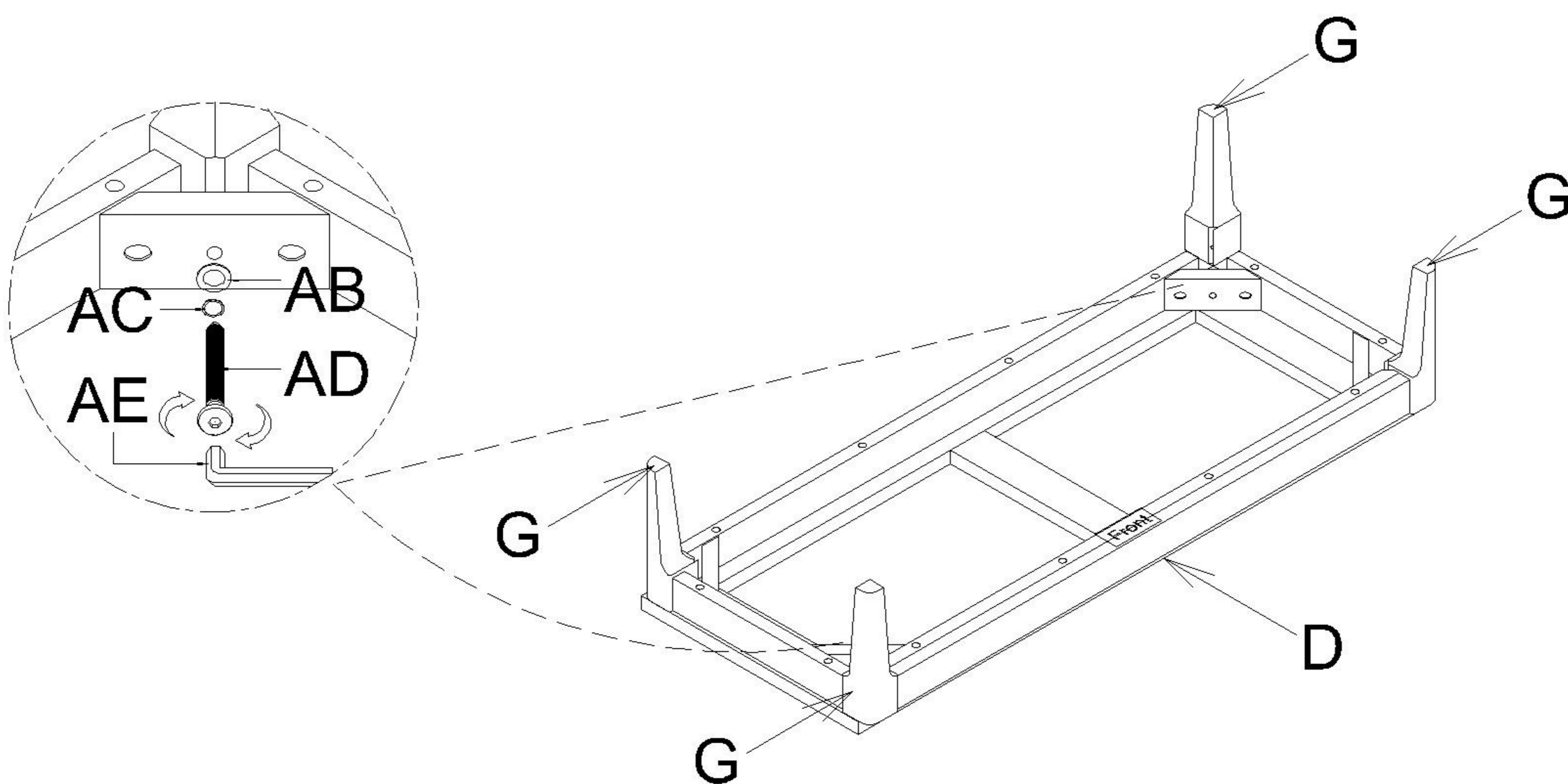
EXTENSION RUNNER DISASSEMBLE STEPS:



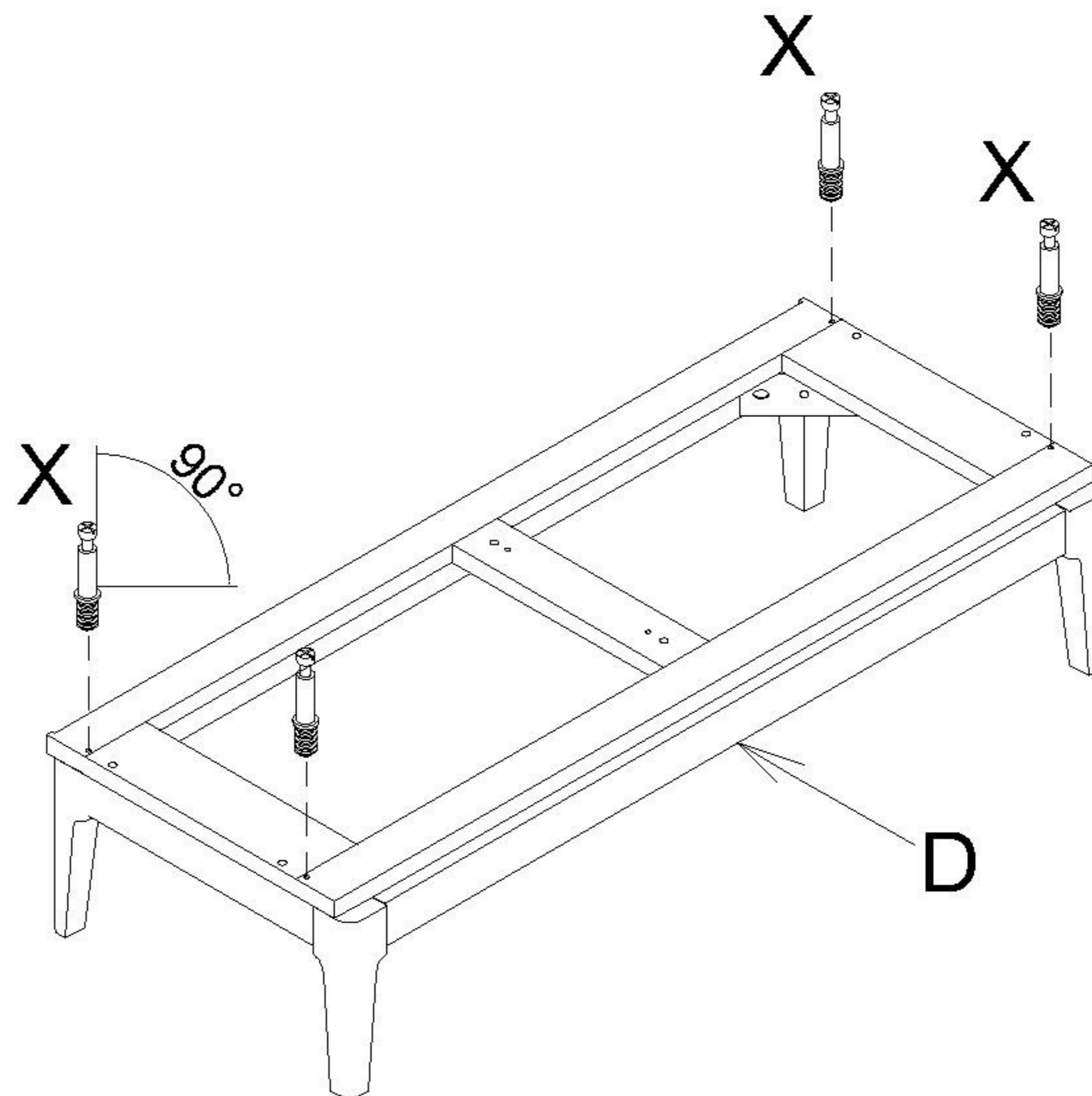
Disassemble the glides to tighten on panel. Glides will be disassembled in 2 parts, 1 part to fix on side panel and the other part to fix on drawer side.

6

Attach Post (G) to Bottom Frame (D) and secure with Flat Washer (AB), Spring Washer (AC) and JCBC Bolt (AD) and tighten with Allen Key (AE) clockwise.

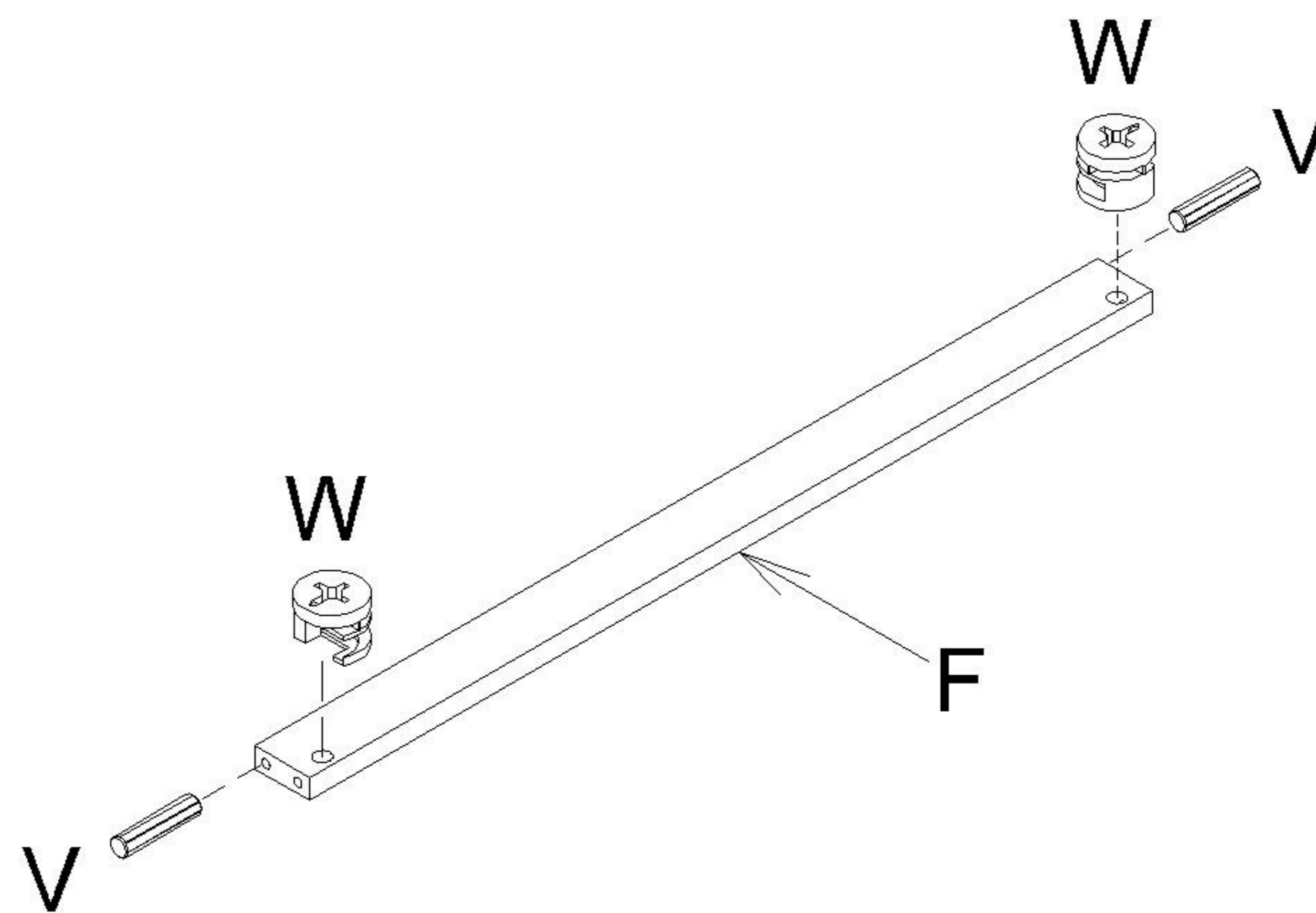


7 Insert and secure Cam Bolt (X) to Bottom Frame (D).



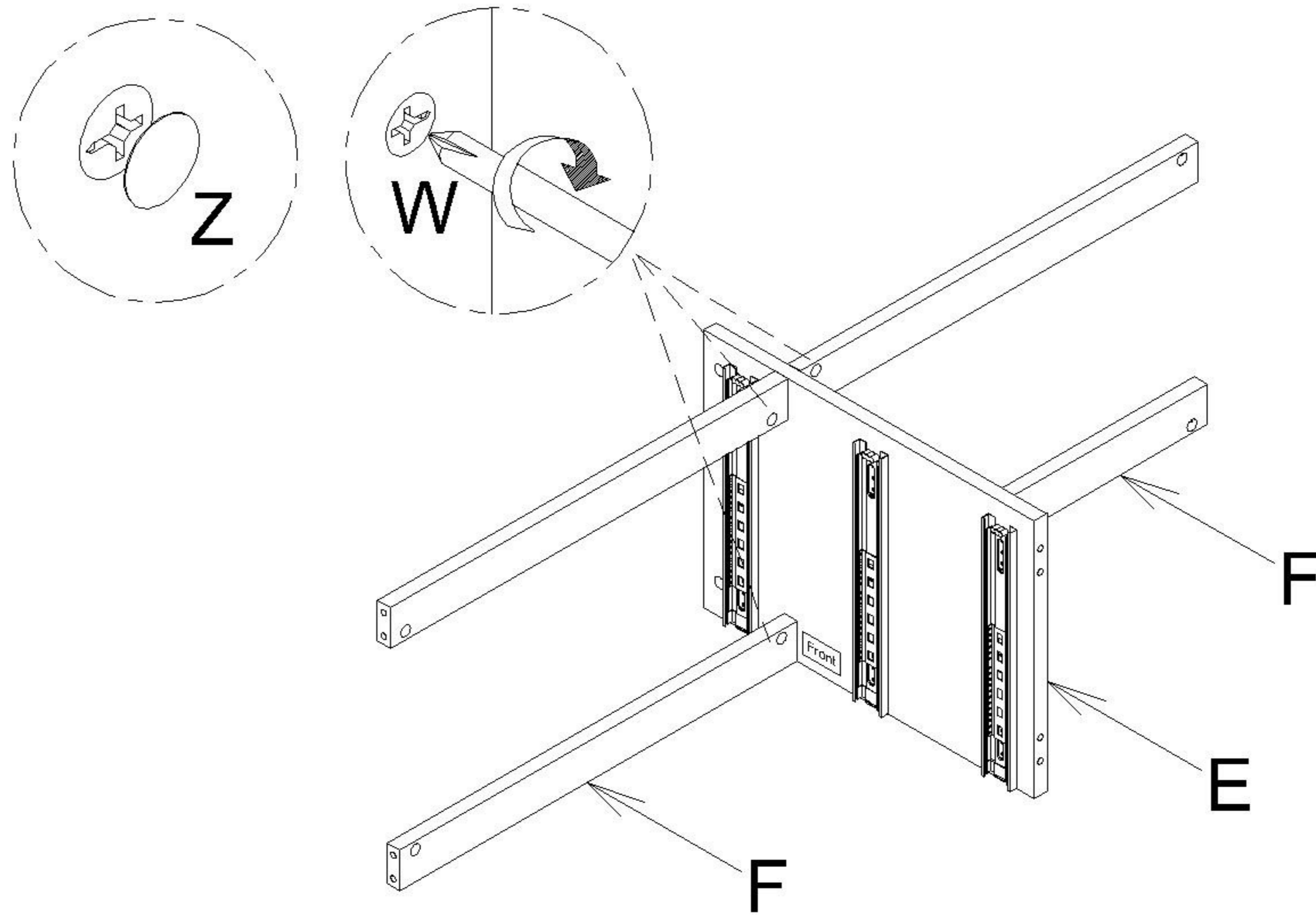
8 Insert Dowel (V) to Center Bar (F). Attach Cam Lock (W) to Center Bar (F).

NOTE : - Make sure arrows on each Cam Lock points towards nearest edge with holes.

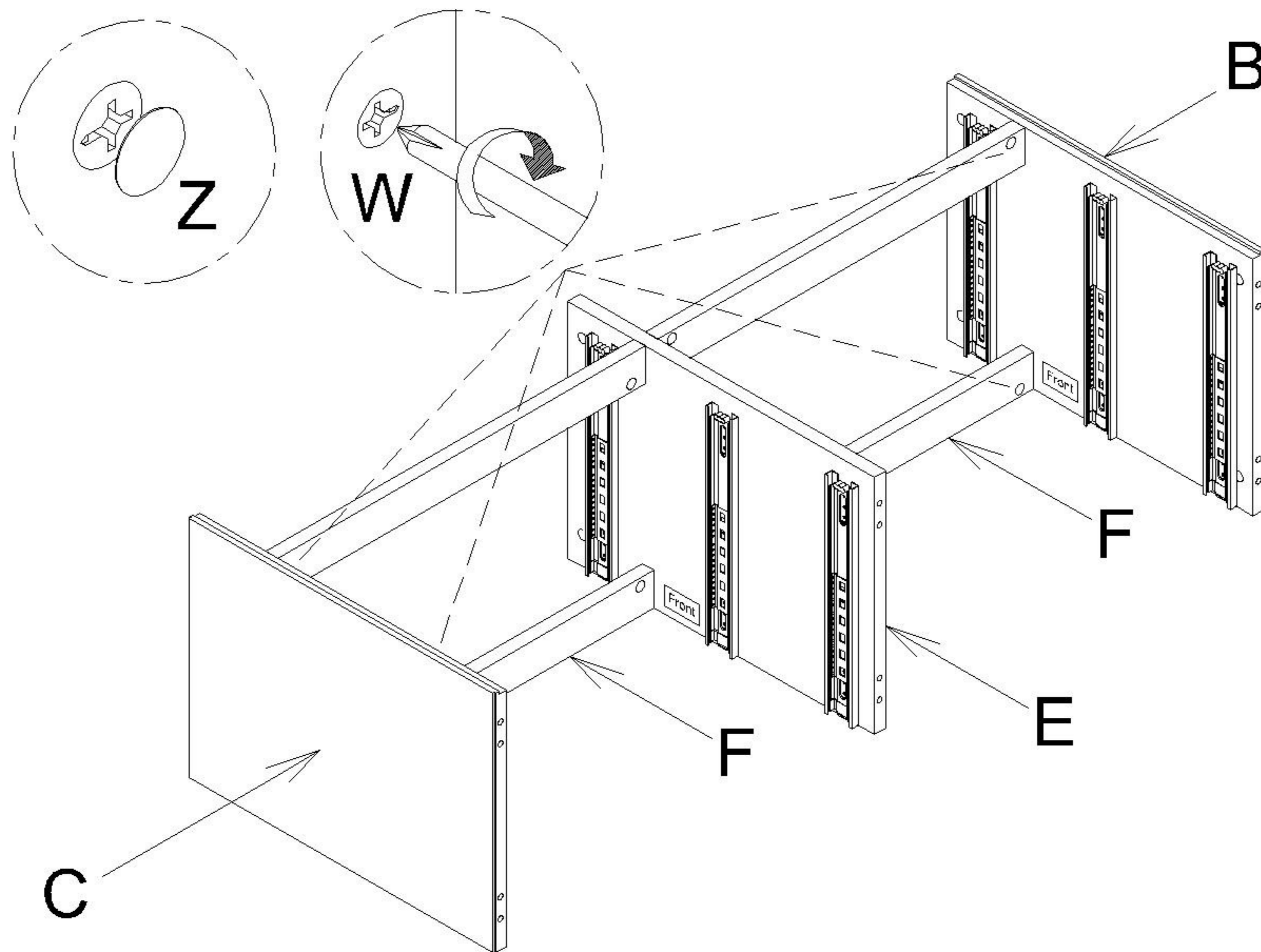


9

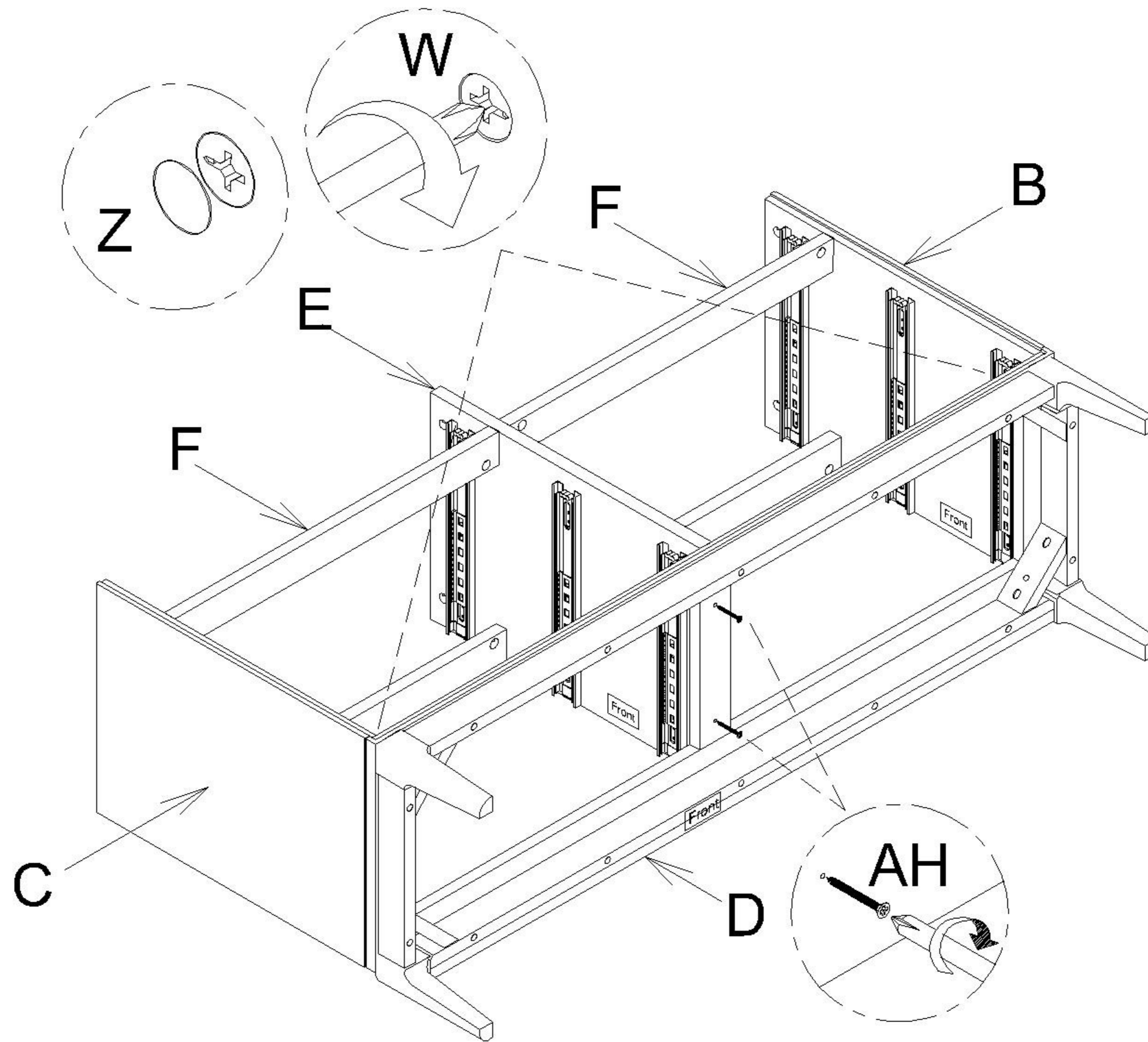
Attach Center Bar (F) to both side of Partition (E) and secure with Cam Lock (W). Cover Cam Lock (W) with Cam Lock Cover (Z).

**10**

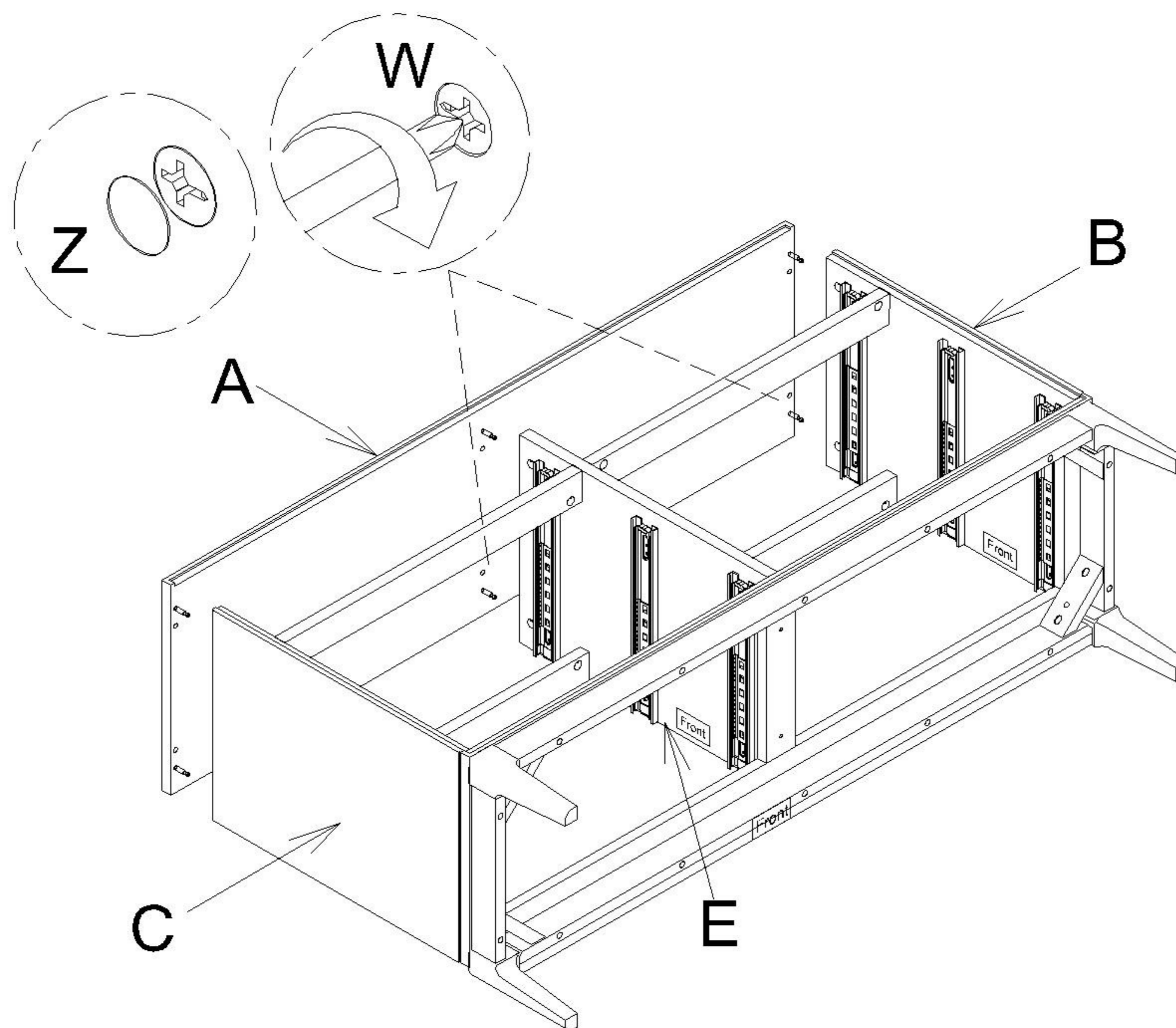
Attach Left & Right Side Panel (B & C) to Center Bar (F) and secure with Cam Lock (W). Cover Cam Lock (W) with Cam Lock Cover (Z).



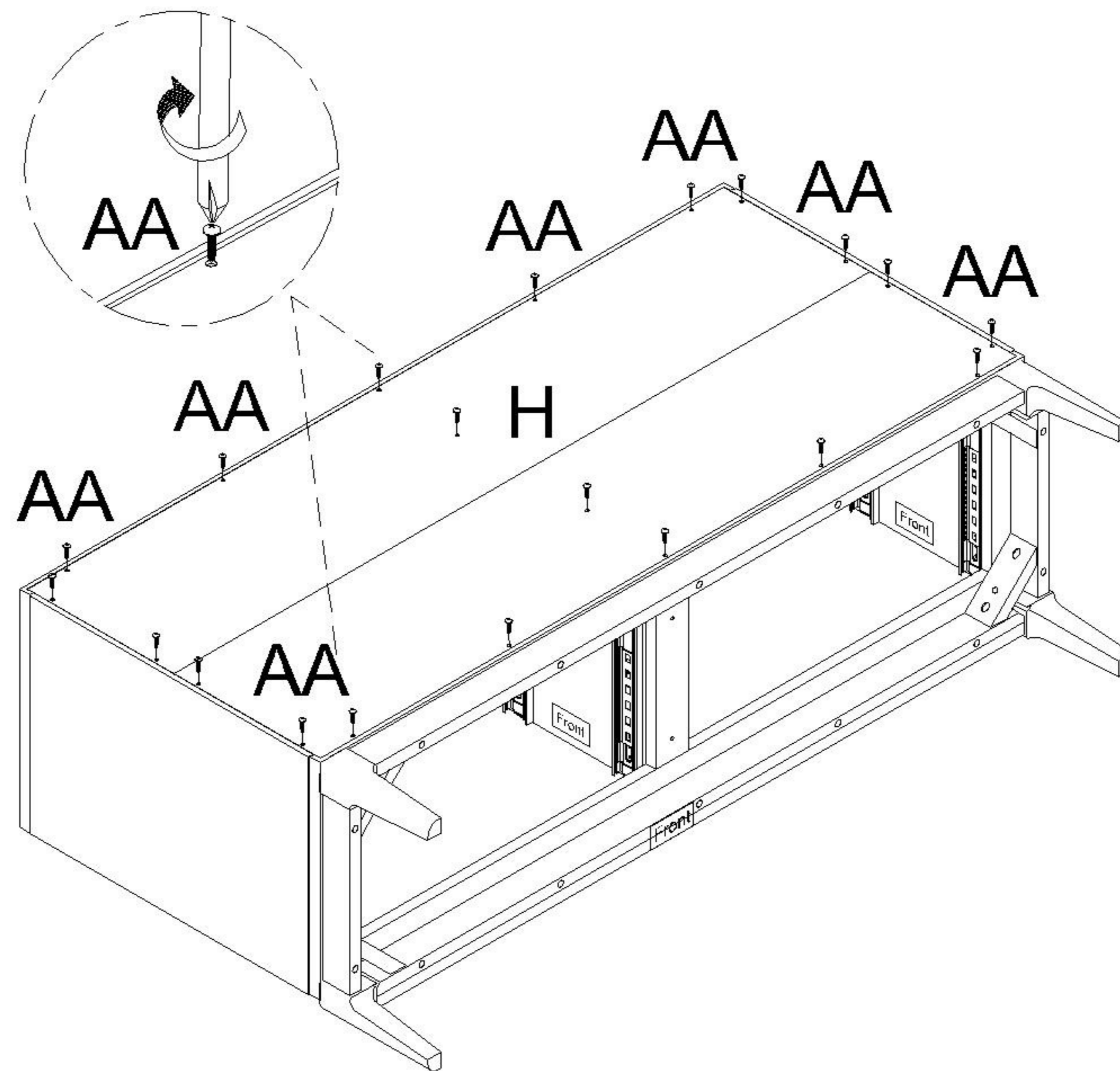
- 11** Attach Bottom Frame (D) to Left & Right Side Panel (B & C) and secure with Cam Lock (W). Cover Cam Lock (W) with Cam Lock Cover (Z). Secure Bottom Frame (D) to Partition (E) using Screw (AH) to secure.



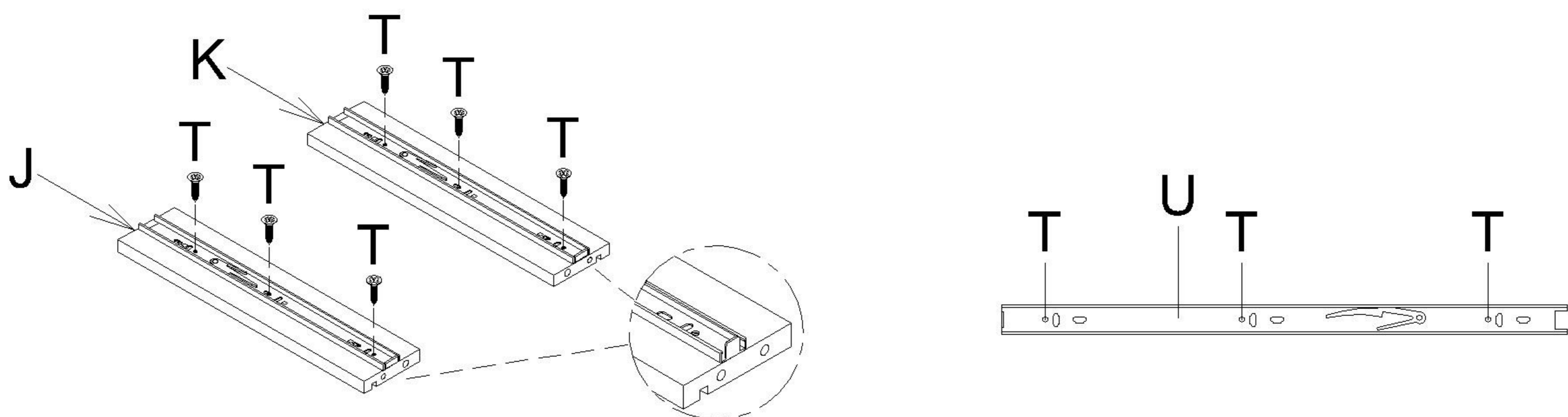
- 12** Attach Top Panel (A) to Left & Right Side Panel (B & C) and Partition (E) and secure with Cam Lock (W). Cover Cam Lock (W) with Cam Lock Cover (Z).



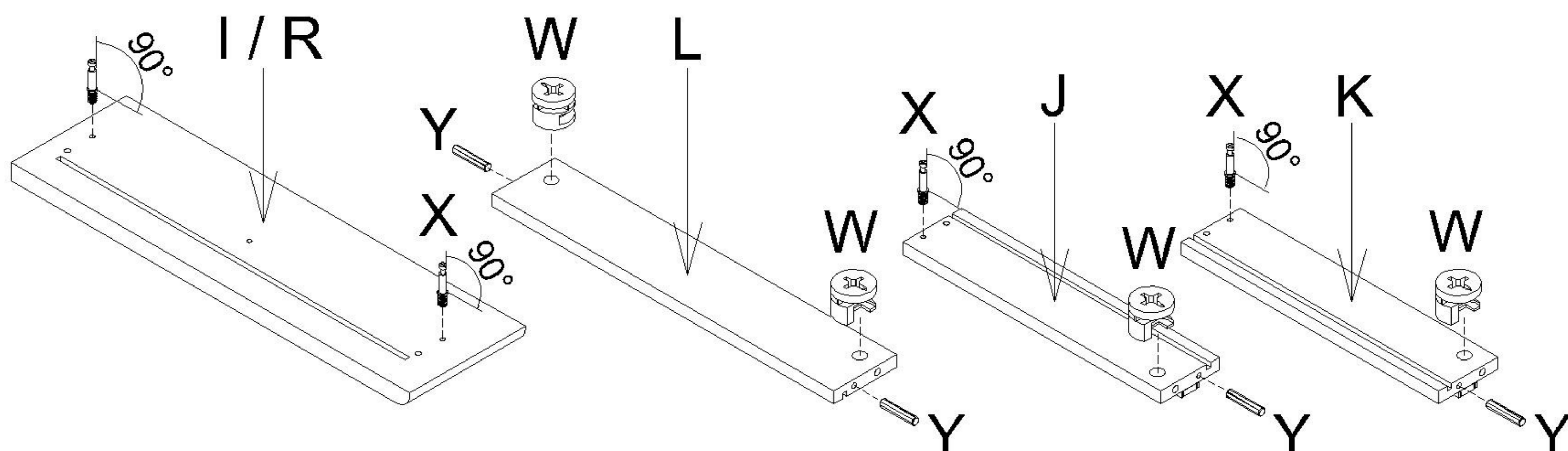
13 Attach Back Plywood (H) to assembled unit using Panhead Screw (AA) to secure.



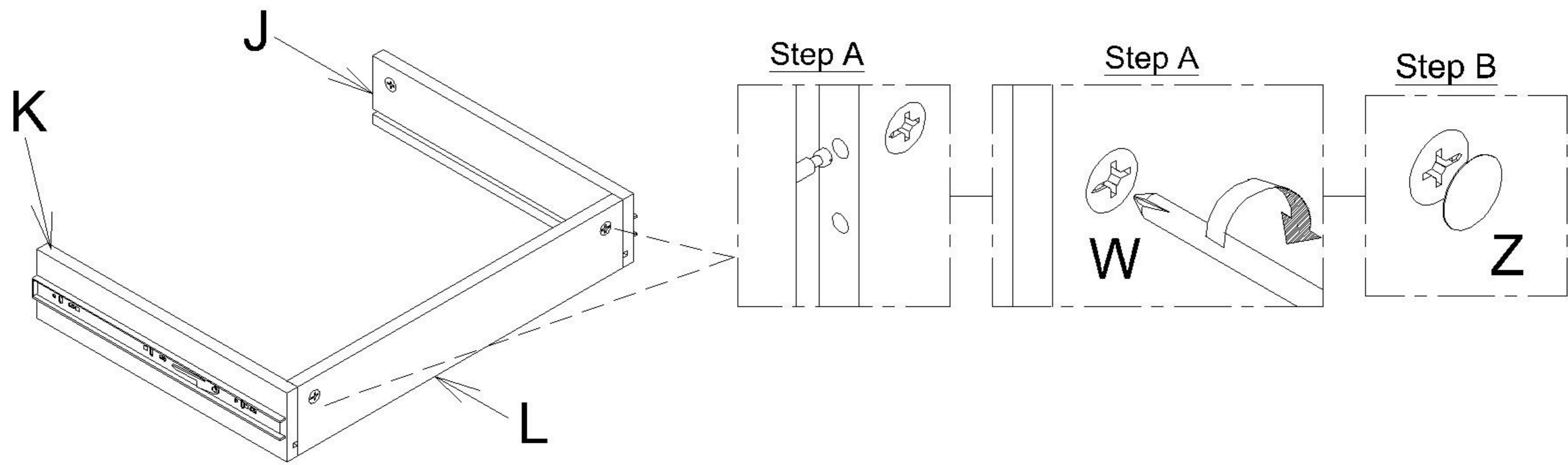
14 Attach Extension Runner (U) to Left & Right Small Drawer Side (J & K) using Screw (T) to secure.



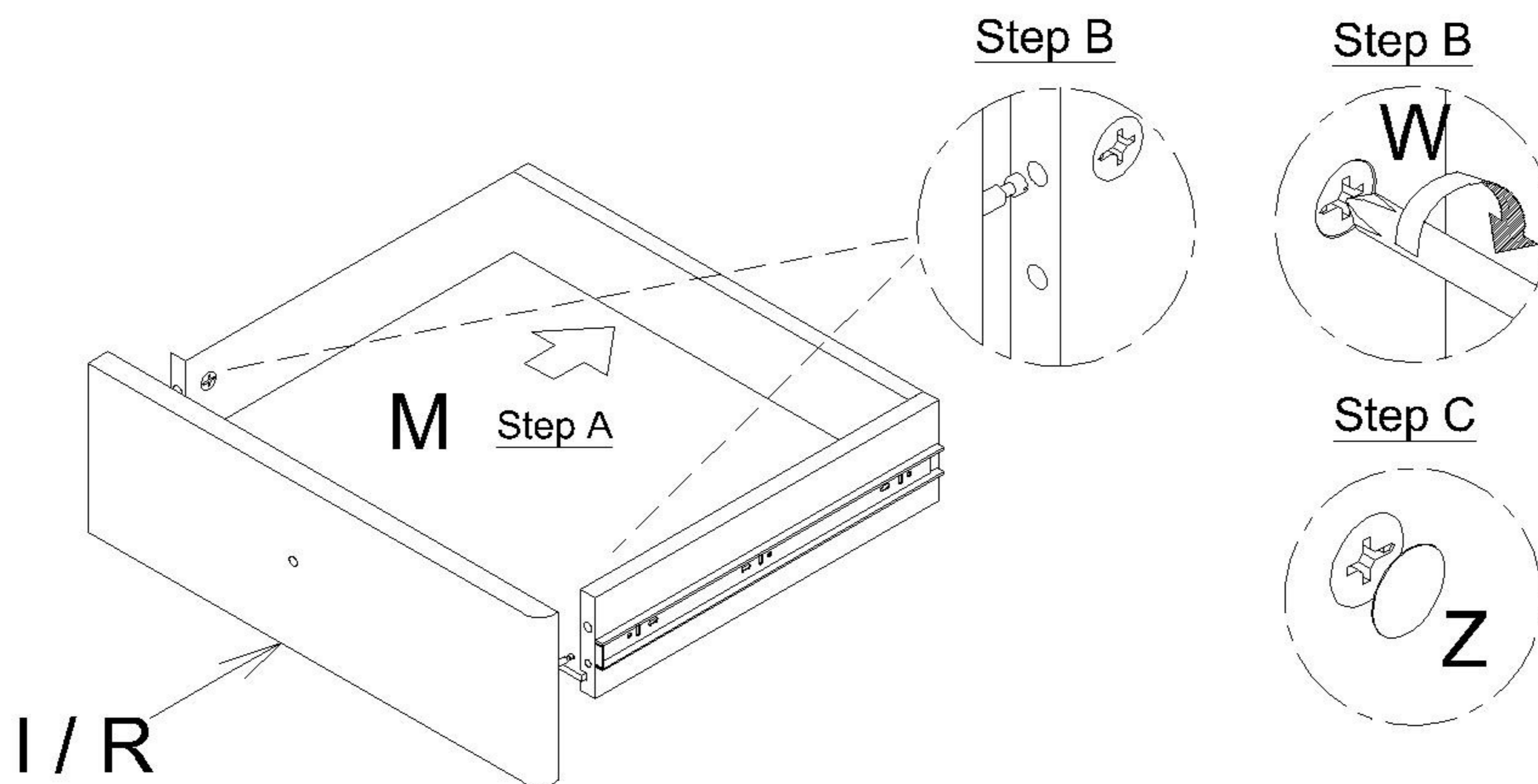
15 Flip over Left & Right Small Drawer Side (J & K). Insert Dowel (Y) to Left & Right Small Drawer Side (J & K) & Small Drawer Back (L). Attach Cam Lock (W) to Left & Right Small Drawer Side (J & K) & Small Drawer Back (L). Attach Cam Bolt (X) to Left & Right Small Drawer Side (J & K) & Small Drawer Front (I / R).



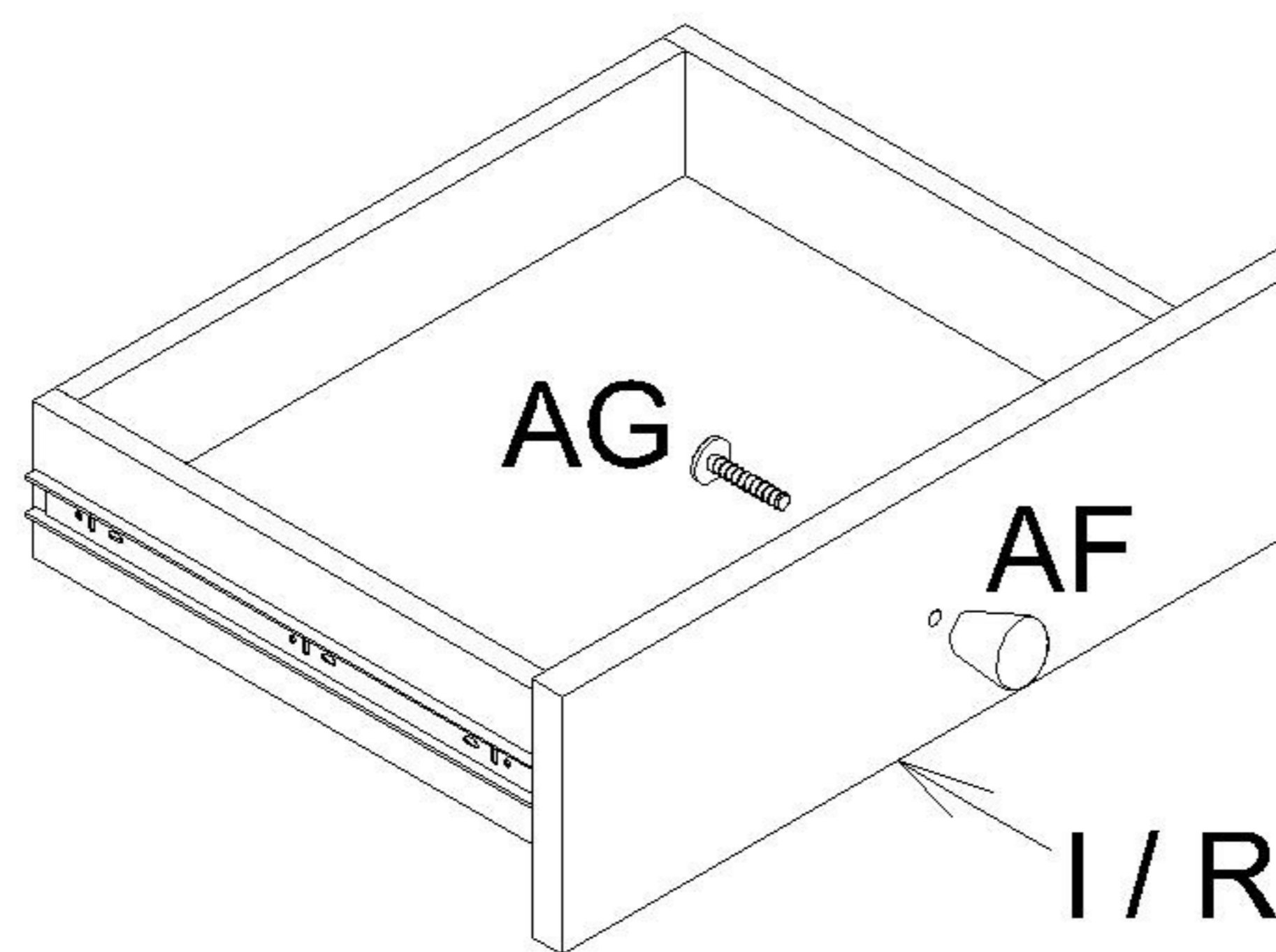
16 Attach Left & Right Small Drawer Side (J & K) to Small Drawer Back (L) and secure with Cam Lock (W). Use Cam Lock Cover (Z) to cover Cam Lock (W).



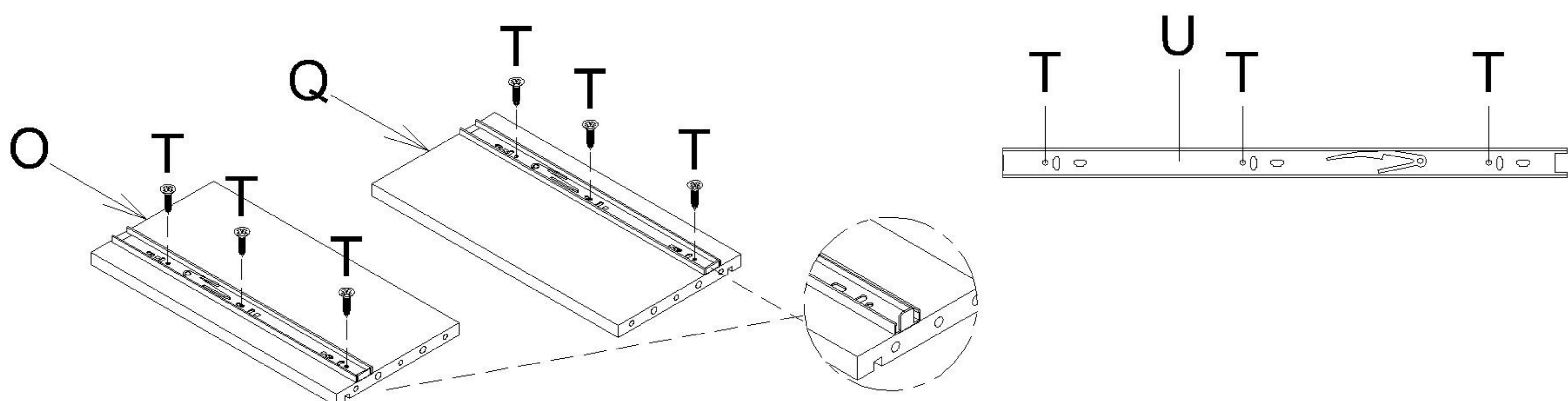
17 Slot Drawer Base (M) in corresponding grooves. Attach Small Drawer Front (I / R) to Drawer Box and secure with Cam Lock (W). Use Cam Lock Cover (Z) to cover Cam Lock (W).



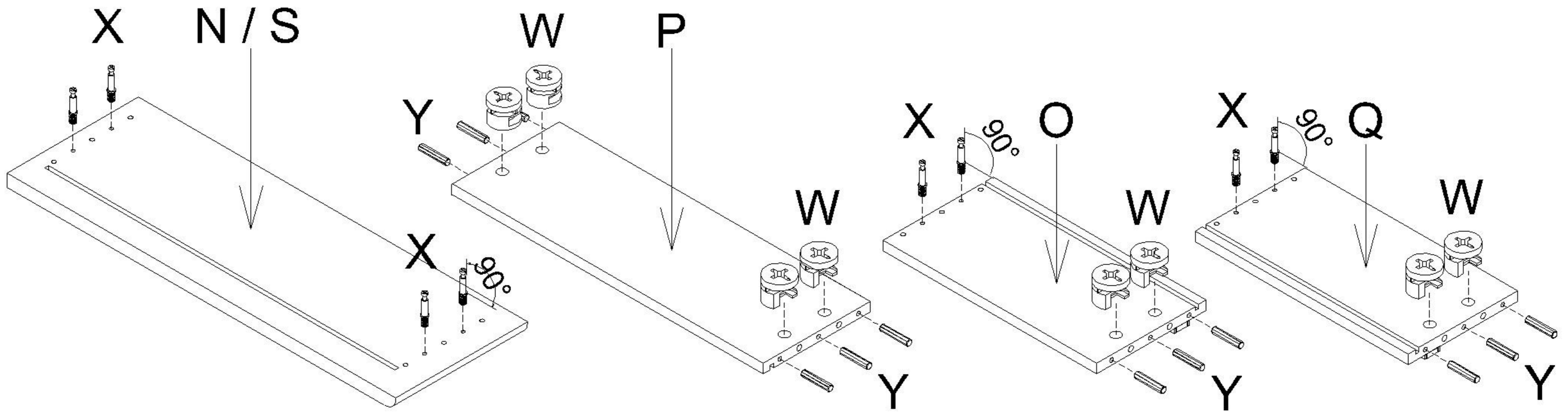
18 Attach Handle (AF) to Small Drawer Front (I / R) and secure using Panhead Screw (AG).



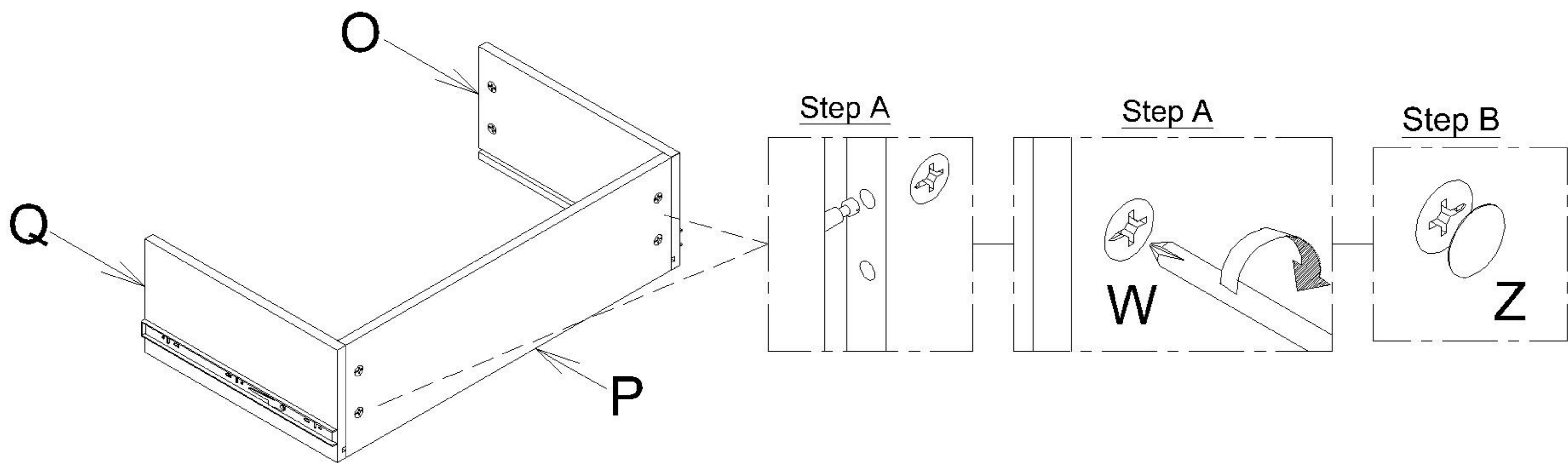
19 Attach Extension Runner (U) to Left & Right Big Drawer Side (O & Q) using Screw (T) to secure.



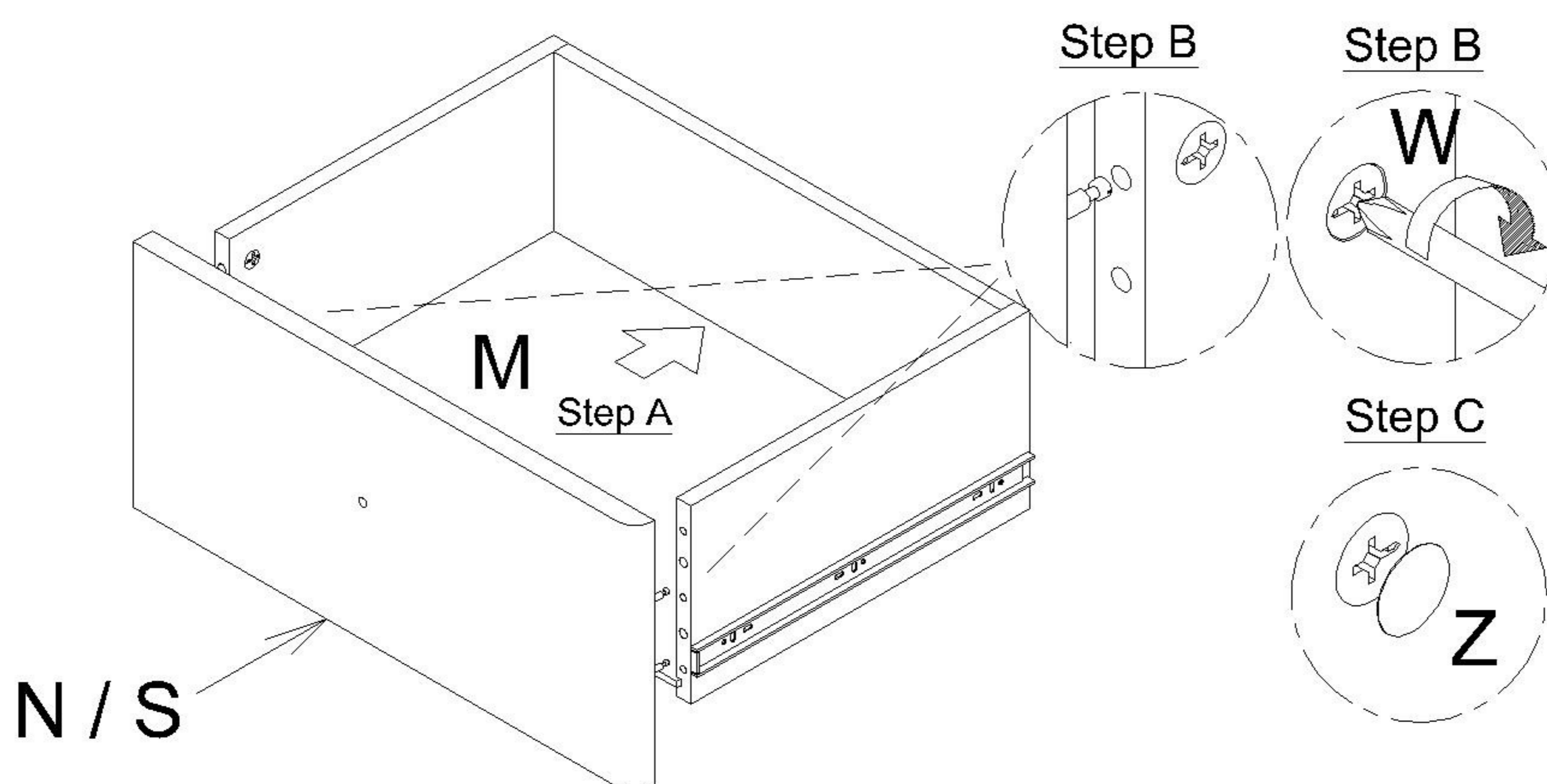
20 Flip over Left & Right Big Drawer Side (O & Q). Insert Dowel (Y) to Left & Right Big Drawer Side (O & Q) & Big Drawer Back (P). Attach Cam Lock (W) to Left & Right Big Drawer Side (O & Q) & Big Drawer Back (P). Attach Cam Bolt (X) to Left & Right Big Drawer Side (O & Q) & Big Drawer Front (N / S).



21 Attach Left & Right Big Drawer Side (O & Q) to Big Drawer Back (P) and secure with Cam Lock (W). Use Cam Lock Cover (Z) to cover Cam Lock (W).

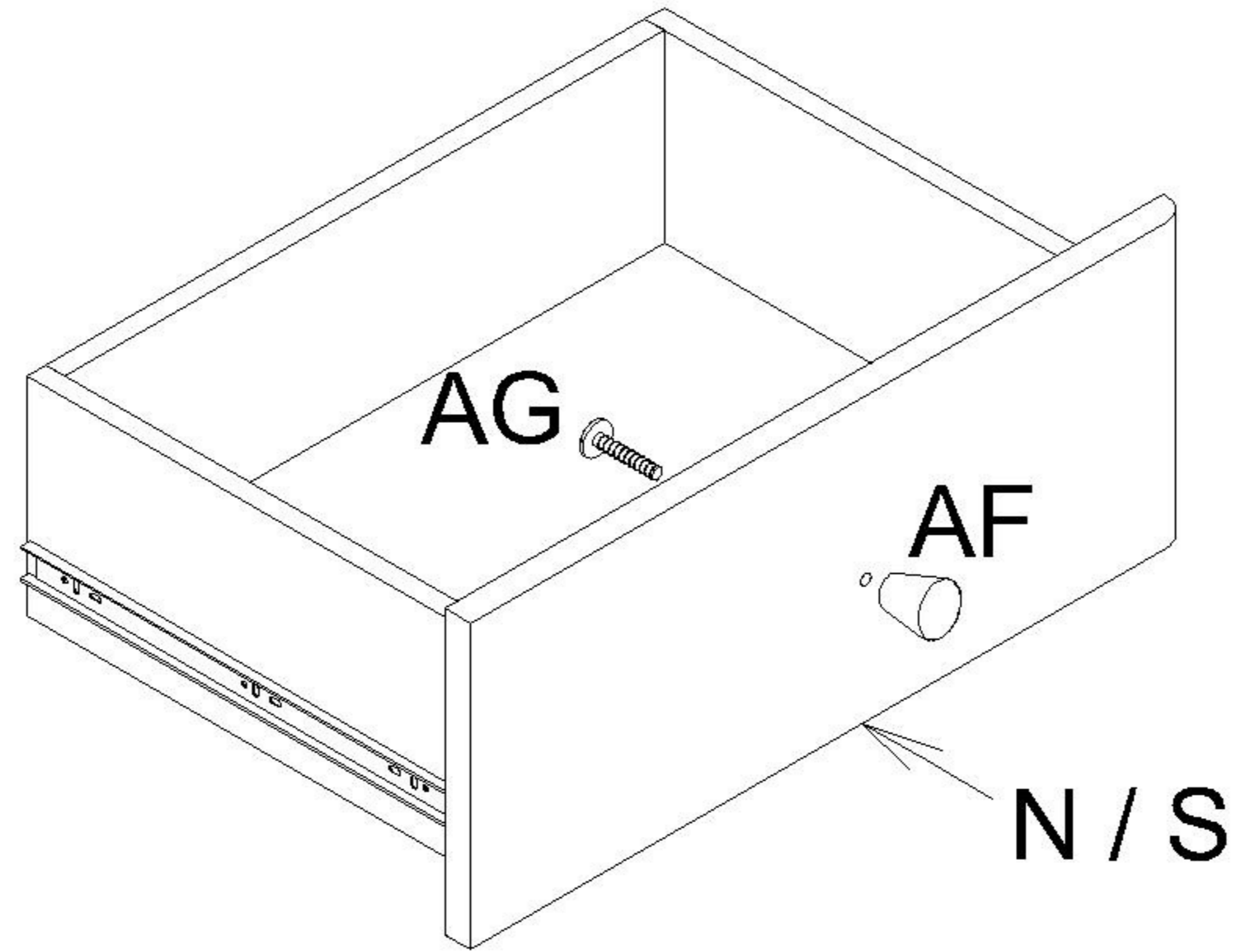


22 Slot Drawer Base (M) in corresponding grooves. Attach Big Drawer Front (N / S) to Drawer Box and secure with Cam Lock (W). Use Cam Lock Cover (Z) to cover Cam Lock (W).



23

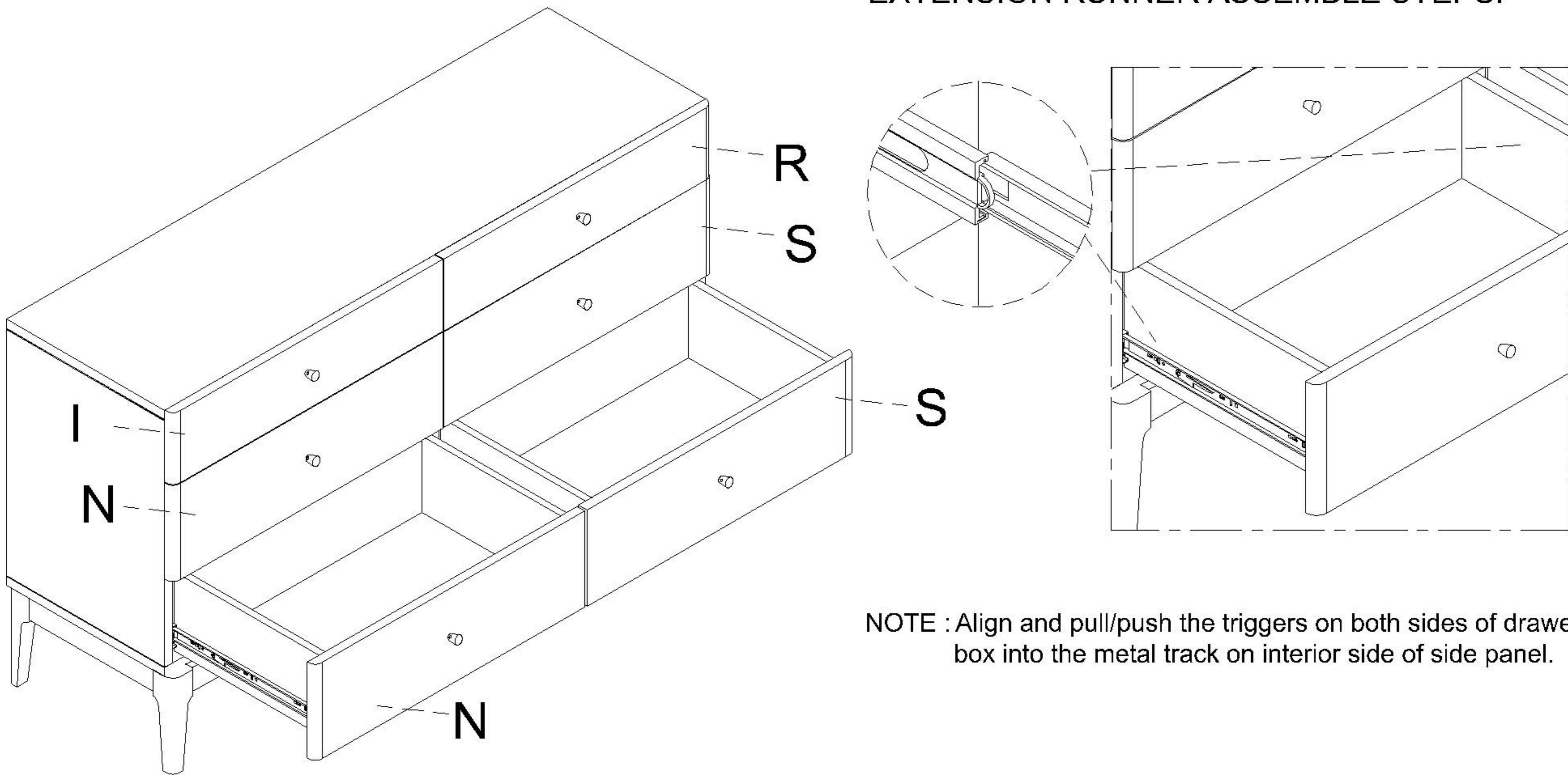
Attach Handle (AF) to Big Drawer Front (N / S) and secure using Panhead Screw (AG).



24

Slot Drawers into assembled unit.

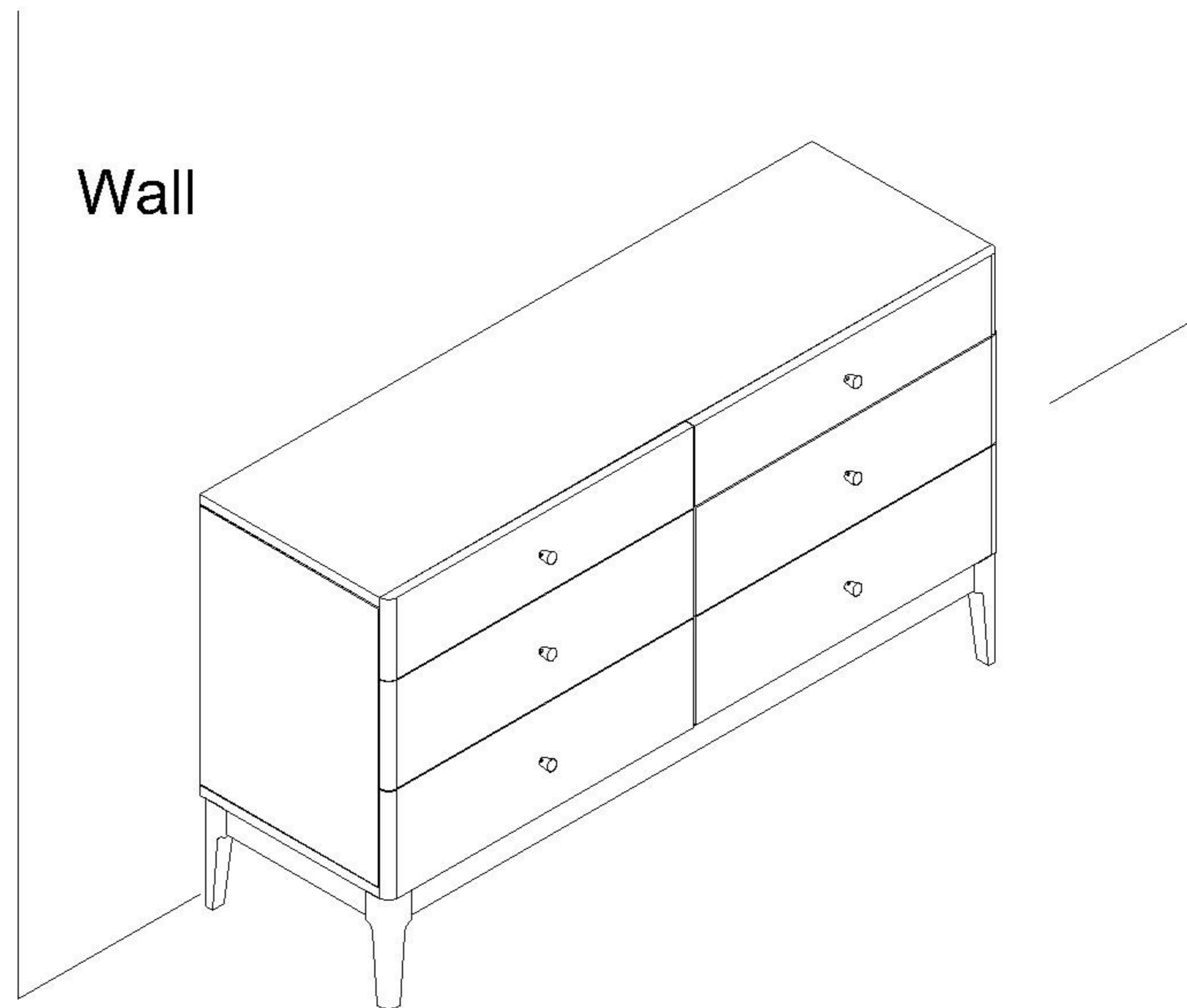
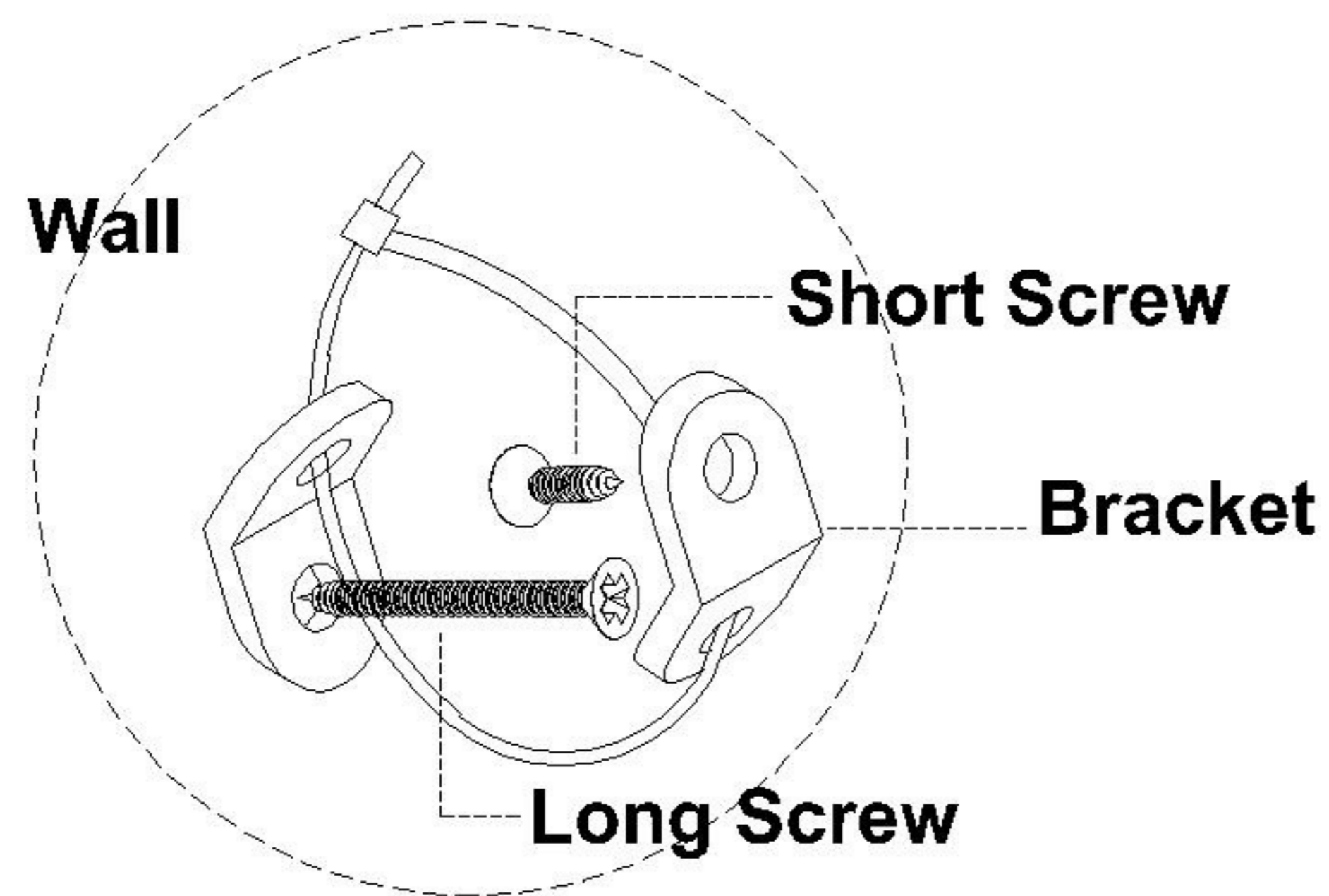
EXTENSION RUNNER ASSEMBLE STEPS:



NOTE : Align and pull/push the triggers on both sides of drawer box into the metal track on interior side of side panel.

25

Attach Anti-Tipping Kit (AI) to wall. Attach Bracket (vertically) to wall using the Long Screw provided. Attach Bracket (vertically) to furniture back (directly below top) with Short Screw. Place Bracket as close to center of furniture back as possible in relation to wall stud and the desired position in the room. Move furniture to its final position. Thread the strap through Bracket, and pull it tight.



Cleaning & Care

Treat surface with care. Surface is resistant to scratches but is not scratch resistant. Clean surfaces with a dry or damp soft cloth. Do not use abrasive cleaners. Hardware may loosen over time. Periodically check that all connections are tight.