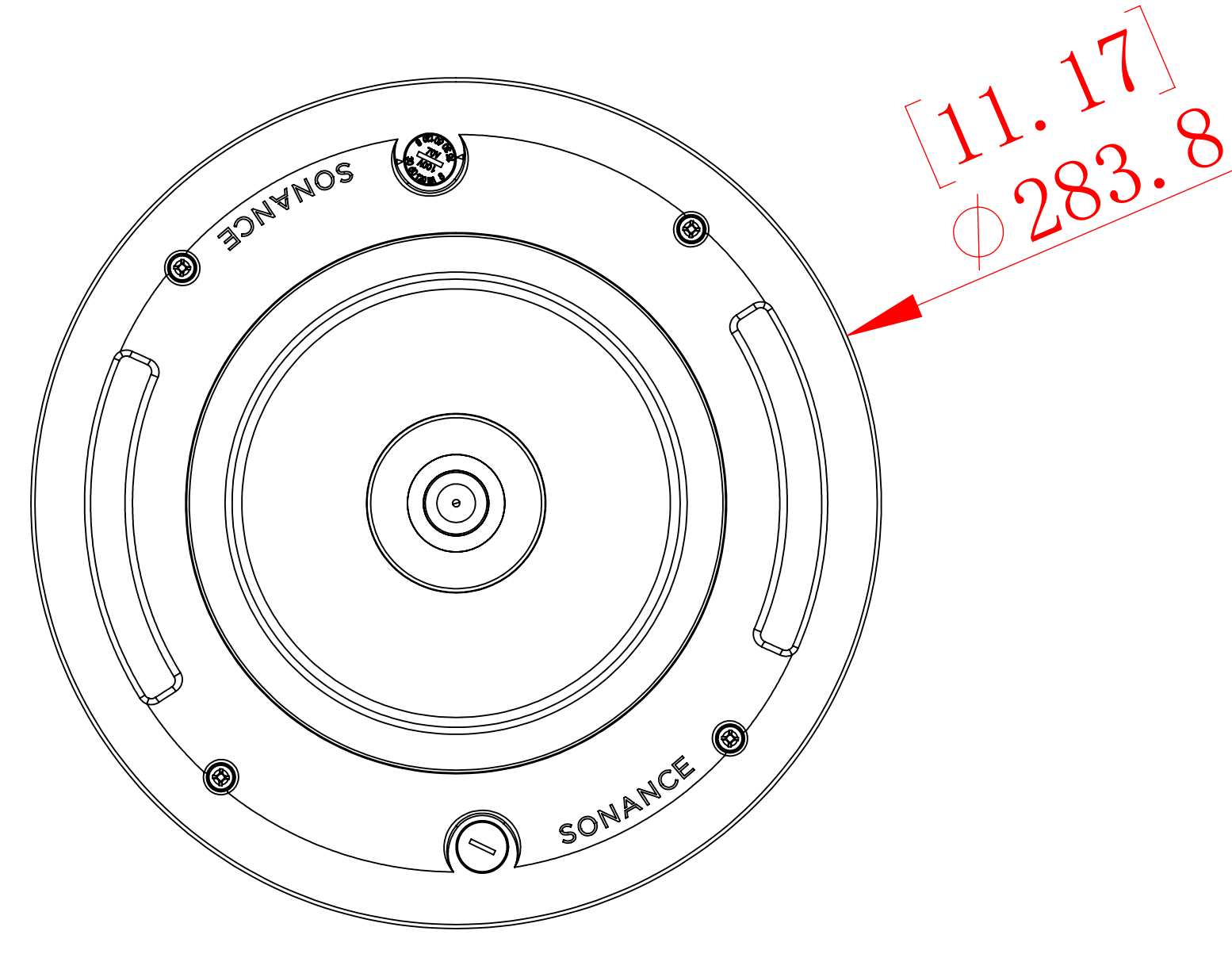
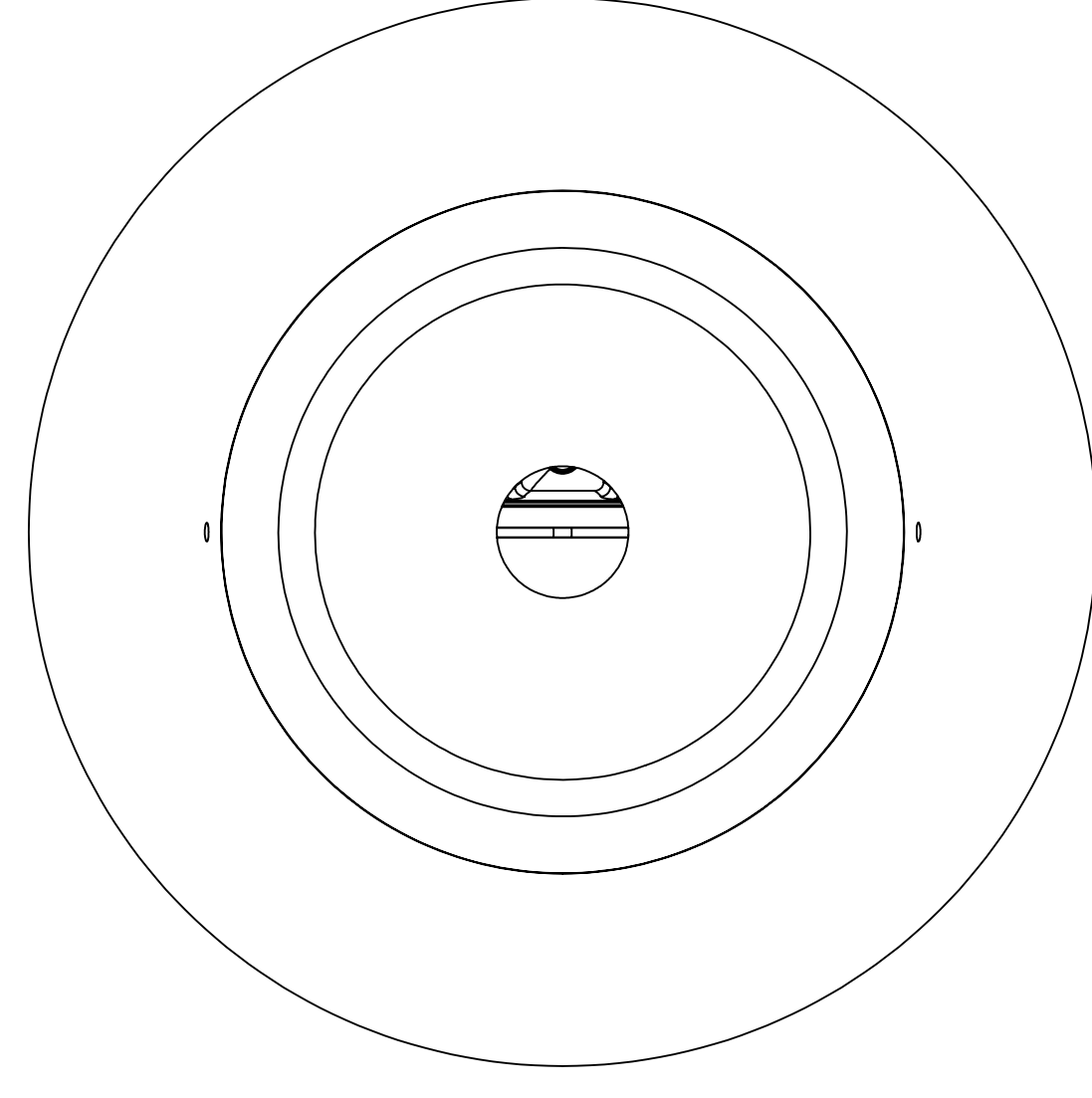


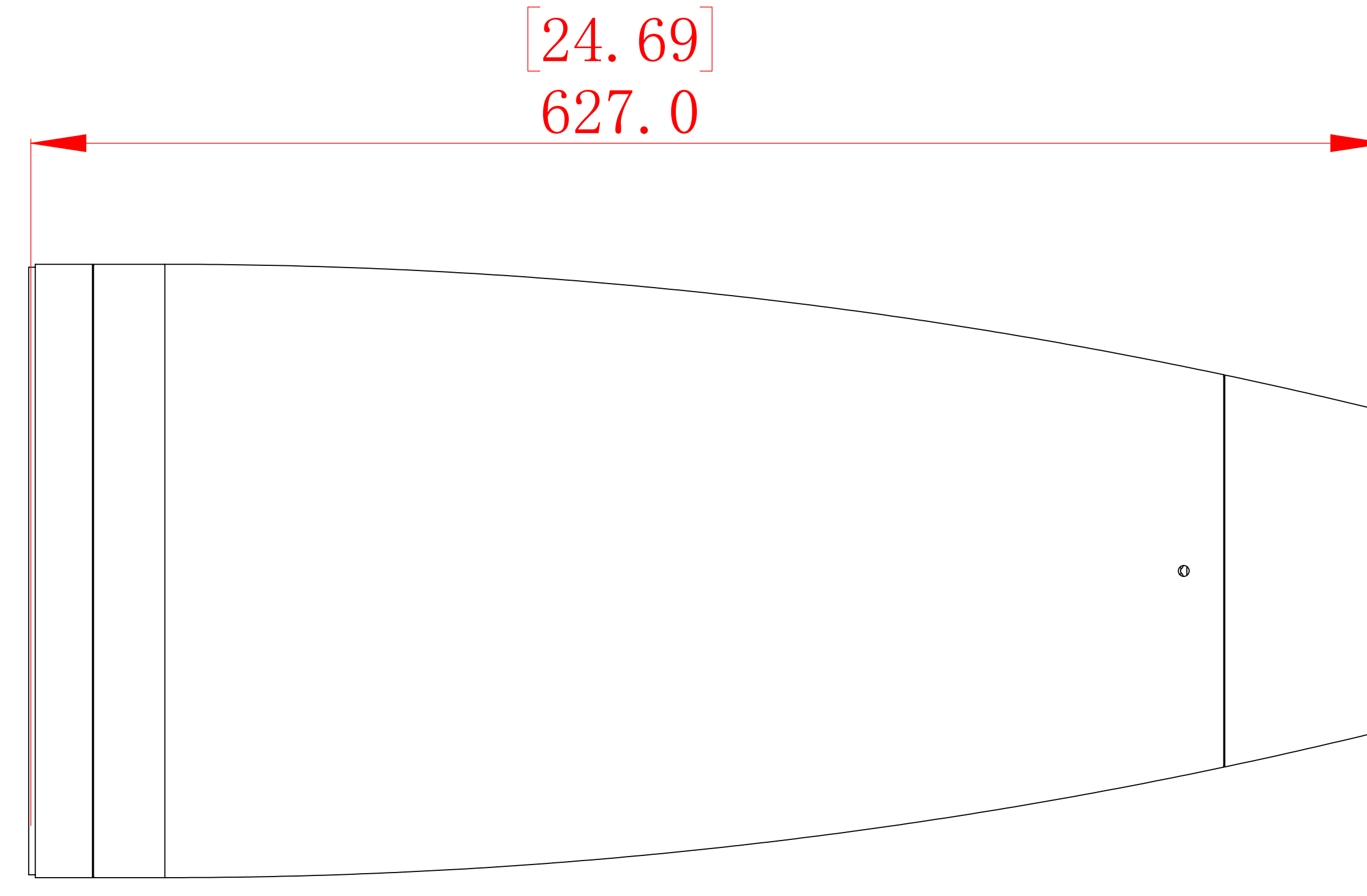
FRONT



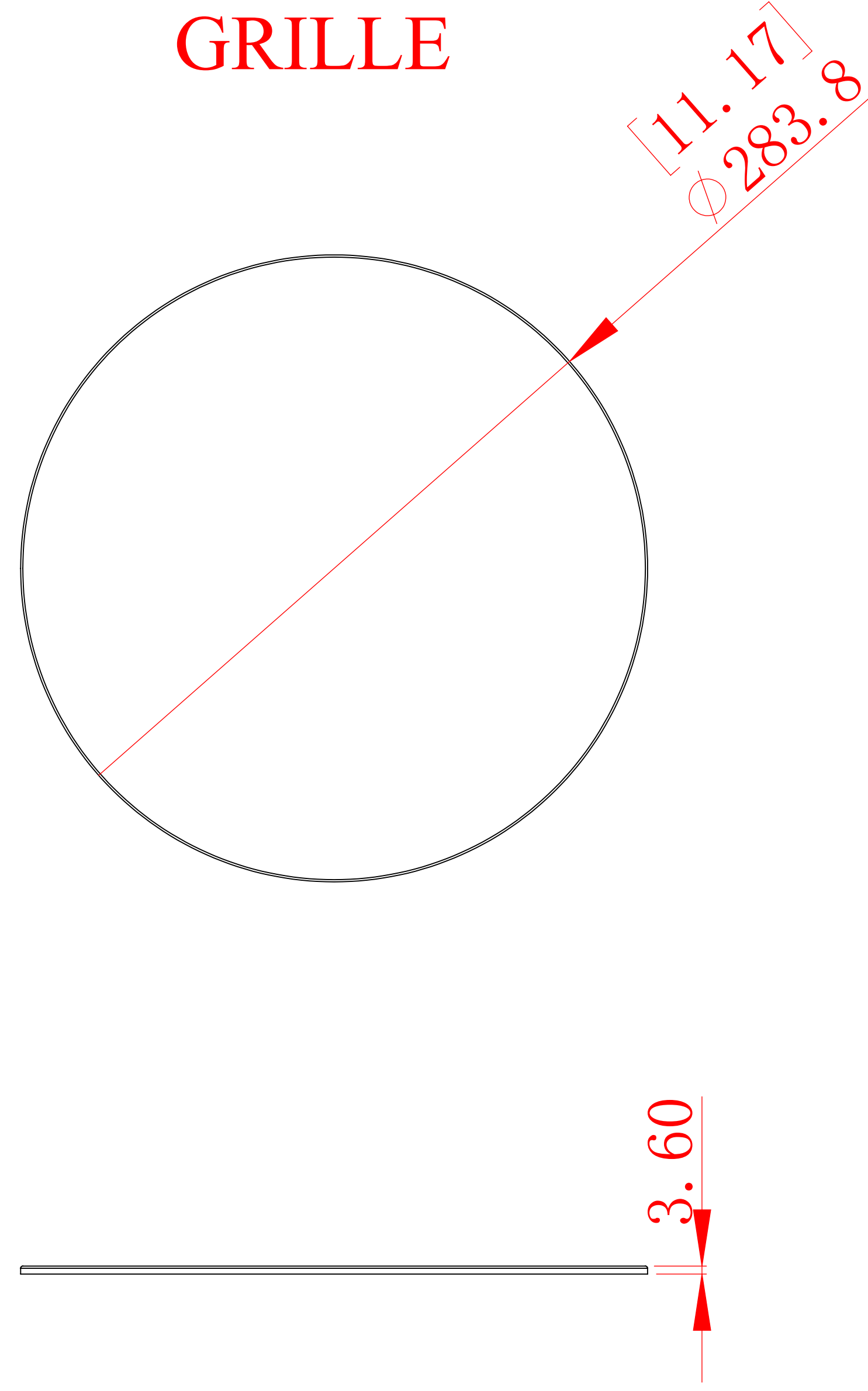
BACK



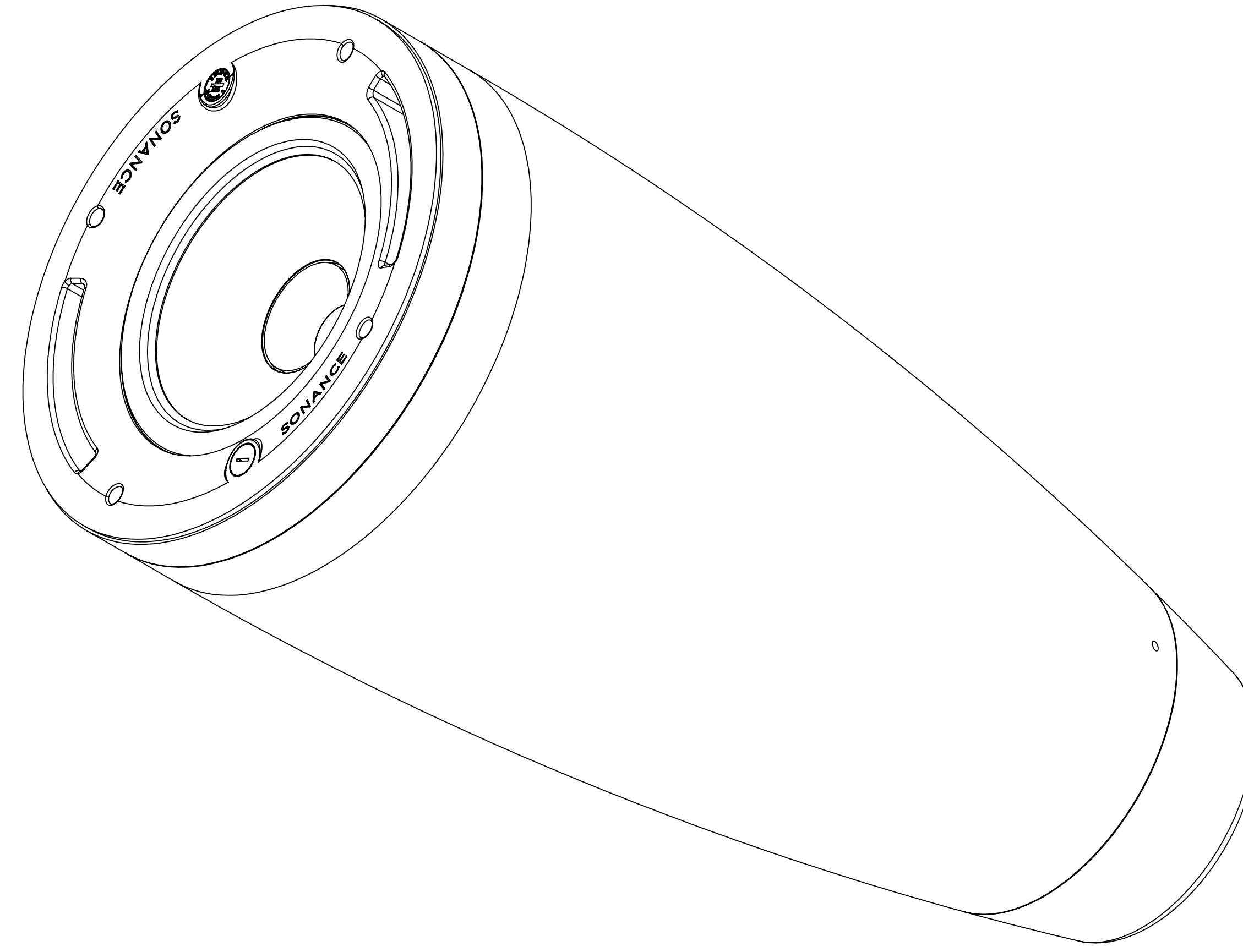
LEFT



GRILLE



ISOMETRIC



SONANCE

991 Calle Amanecer, San Clemente, CA.  
 92673  
 58800 2-7777 949 492-7777  
 FAX 949 361-5579  
 www.sonance.com

PS-P85T

SCALE: 1 : 2

DRAWN BY: Roy

DRWN - PART NUMBER

REV.

SHEET: 01

RELEASED ON: