


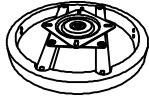







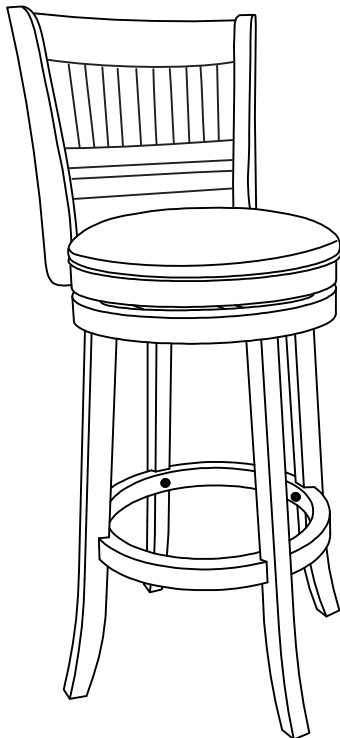


ASSEMBLY INSTRUCTION

1140E SWIVEL VERTICAL DESIGN STOOL

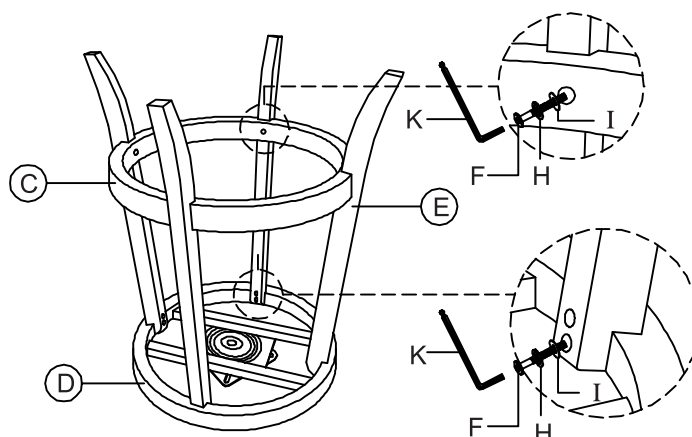
A Backrest  1 Pc	B Cushion Seat  1 Pc	C Footrest  1 Pc	D Apron with Swivel Plate  1 Pc	E Chair Leg  4 Pcs
F JCBC Screw M6 x 35mm  16 Pcs	G JCBC Screw M6 x 45mm  6 Pcs	H Spring Washer M6 x 13mm  18 Pcs	I Flat Washer M6 x 13mm  12 Pcs	J Flat Washer 6.5 x 16.5mm  10 Pcs
				K Allen Key M4 (Long)  1 Pc



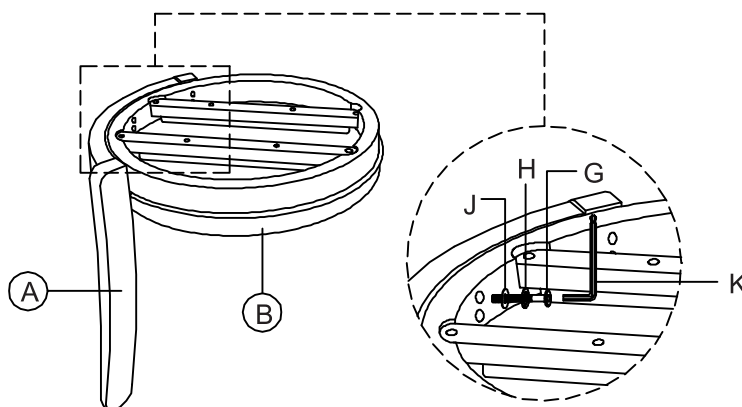
This page lists all the contents included in the box. Please take the time to identify the hardware as well as the individual components to this product. As you unpack and prepare for assembly, place the contents on a carpeted or padded area to protect them from damage.

1

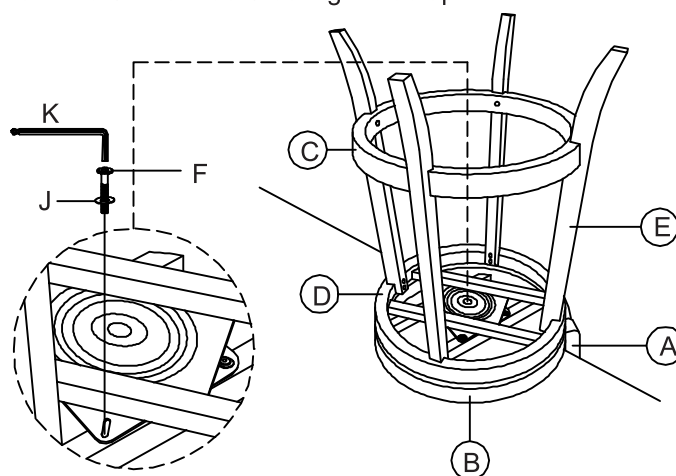
Attached the Chair Legs (E) to the Apron with swivel plate (D), then attach the Footrest (C) to the Chair Legs (E). Use JCBC Screw (F), Spring Washer (H), Flat Washer (I) with Allen Key (K) for both.

**2**

Invert Cushion Seat (B) and place on a stable raised surface (i.e. Table). Attached the Backrest (A) to the Cushion Seat (B) using JCBC Screw (G), Spring Washer (H), Flat Washer (J) with Allen Key (K).

**3**

Keep the Backrest (A) and Cushion Seat (B) inverted on a stable raised surface. Attached the Swivel Plate located on the Apron with Swivel Plate (D) to the Cushion Seat (B) using JCBC Screw (F), Flat Washer (J) with Allen Key (K). Turn the Swivel Pub Stool right side up.



CLEANING & CARE

Treat surface with care. Surface is resistant to scratches but is not scratch resistant. Clean surfaces with a dry or damp soft cloth. Do not use abrasive cleaners. Hardware may loosen over time. Periodically check that all connections are tight.