

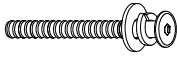
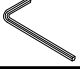


# ASSEMBLY INSTRUCTIONS

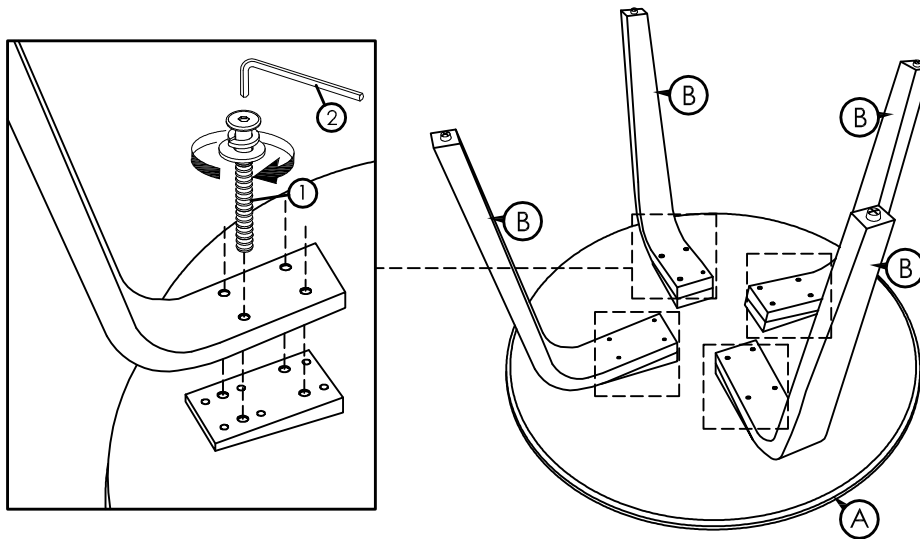
Item No : D501-10  
Gabby Round Table

Thank you for purchasing this quality product. Be sure to check all packing materials carefully for small parts, which may have come loose inside the carton during shipment. Identify and count all items and compare with the parts list and/or hardware list shown below.

PARTS LIST			
NO	DESCRIPTION	SKETCH	QTY
A	Table Top		1 Pc
B	Table Leg		4 Pcs

HARDWARE LIST			
NO	DESCRIPTION	SKETCH	QTY
1	JCBB Bolt M8 x 2 3/8" w/ Spring Washer 5/16" and Flat Washer 5/16" x 7/8"		16 Pcs
2	Allen Key M5		1 Pc

**STEP 1 :** Place the Table top (A) upside down on a soft and clean surface. Assemble the Table leg (B) to the Table top (A) by using the Allen Key (2) with the hardware 1.



**STEP 2 :** To level the table, turn the table up right and adjust the leg leveler at the bottom of each table leg (B) by turning them clockwise or anti-clockwise.

