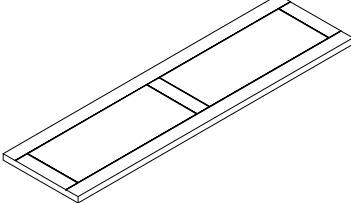
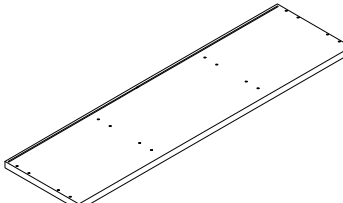
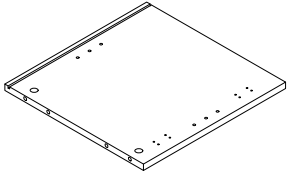
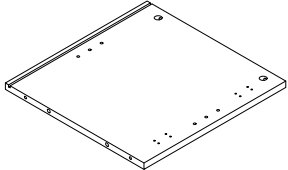
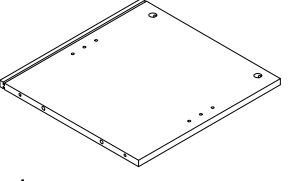
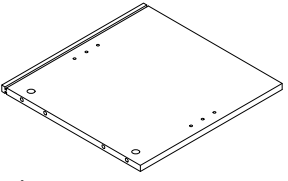
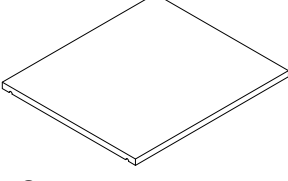
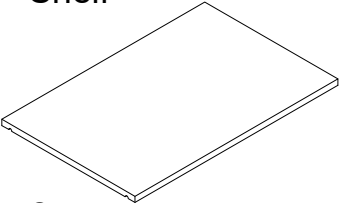
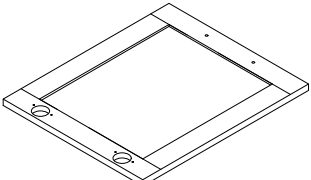
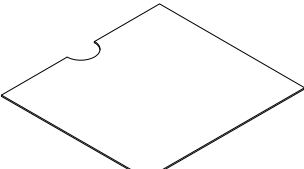
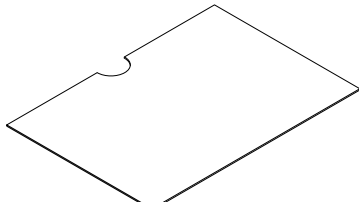
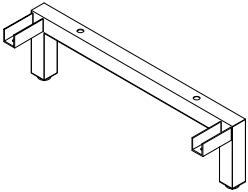
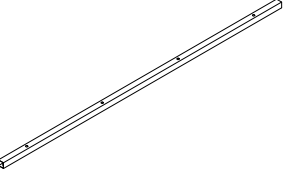
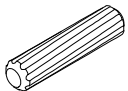

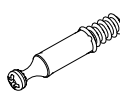
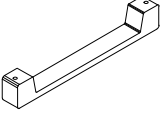

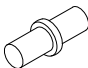
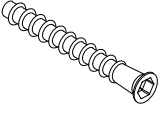
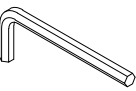
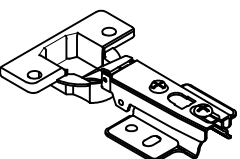

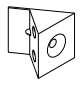


ASSEMBLY INSTRUCTION

58"W 2-DOOR TV STAND WITH SHELVES

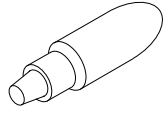
A Top Panel  1pc	B Bottom Panel  1pc	C Side Panel - L  1pc	D Side Panel - R  1pc
E Middle Panel - L  1pc	F Middle Panel - R  1pc	G Side Adjustable Shelf  2pcs	H Middle Adjustable Shelf  2pcs
I Door Panel  2pcs	J Side Back Panel  2pcs	K Middle Back Panel  1pc	L Leg Frame  2pcs
M Stretcher Bar  2pcs	N Wood Dowel $\text{Ø}8 \times 30\text{mm}$  16pcs	O Nut $\text{Ø}15 \times 12\text{mm}$  8pcs	P Bolt $\text{Ø}5 \times 25\text{mm}$  8pcs
Q Handle $138 \times 15 \times 20\text{mm}$  2pcs	R Bolt $\text{Ø}4 \times 22\text{mm}$  4pcs	S Shelf Pin $\text{Ø}5 \times 16\text{mm}$  16pcs	T Screw $\text{Ø}6 \times 50\text{mm}$  8pcs
U Allen Key $\text{M}4$  1pc	V Hinge  4pcs	W Screw $\text{Ø}4 \times 14\text{mm}$  24pcs	X Buckle  12pcs

Y Screw
Ø3*17mm



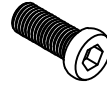
12pcs

Z Glue



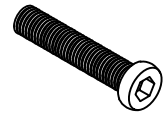
1pc

AA Bolt
Ø1/4*15mm



8pcs

AB Bolt
Ø1/4*35mm



12pcs

AC Door Pad
Ø10*1.5mm

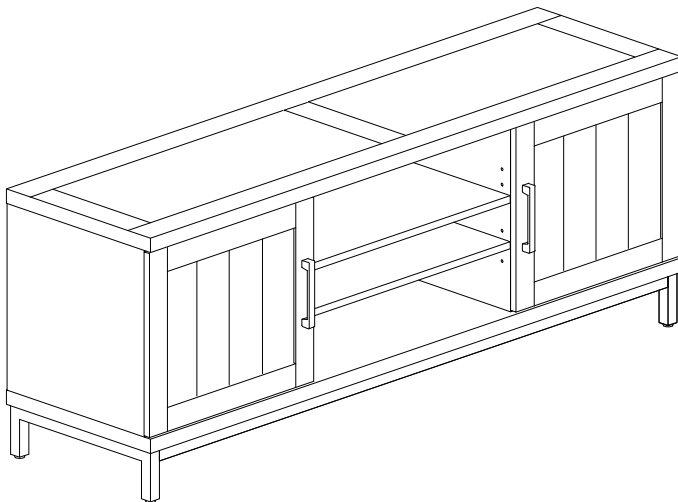


2pcs

AD Screwdriver
(Not Provided)

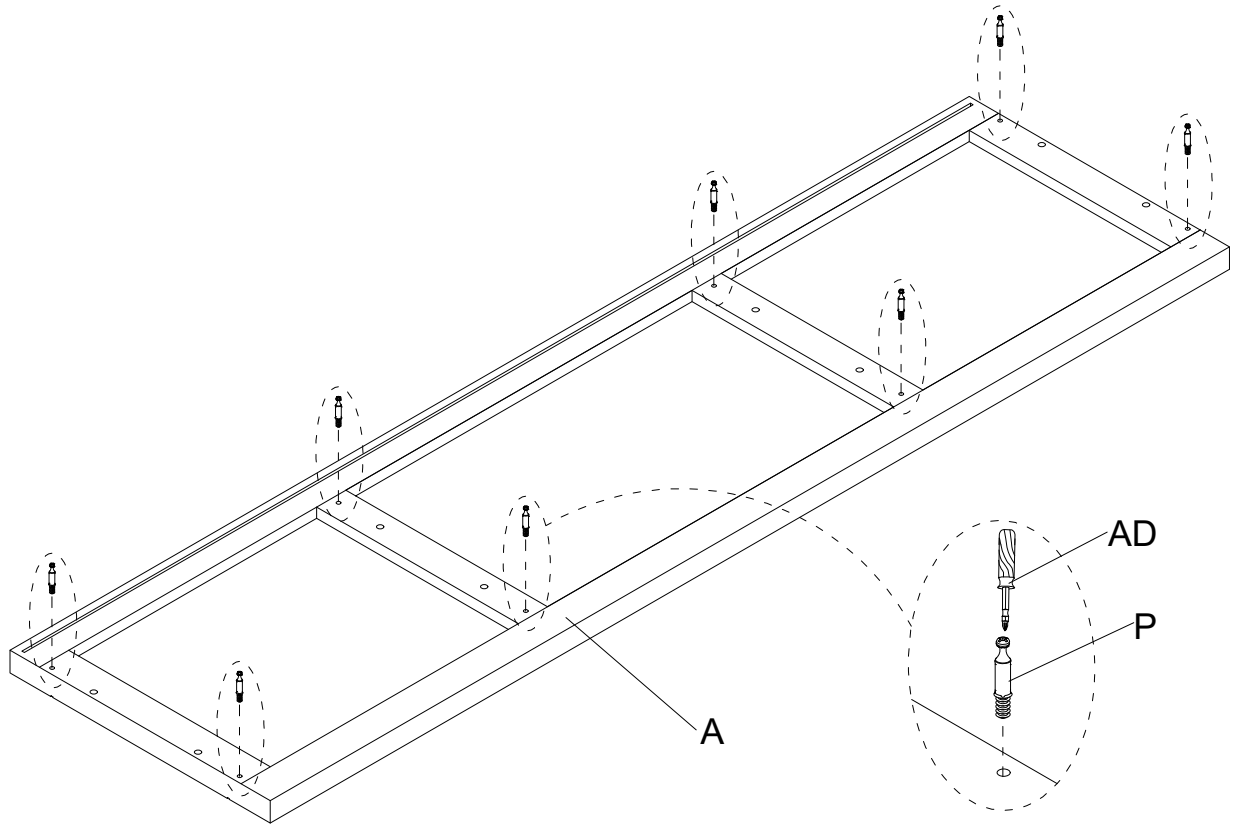


1pc

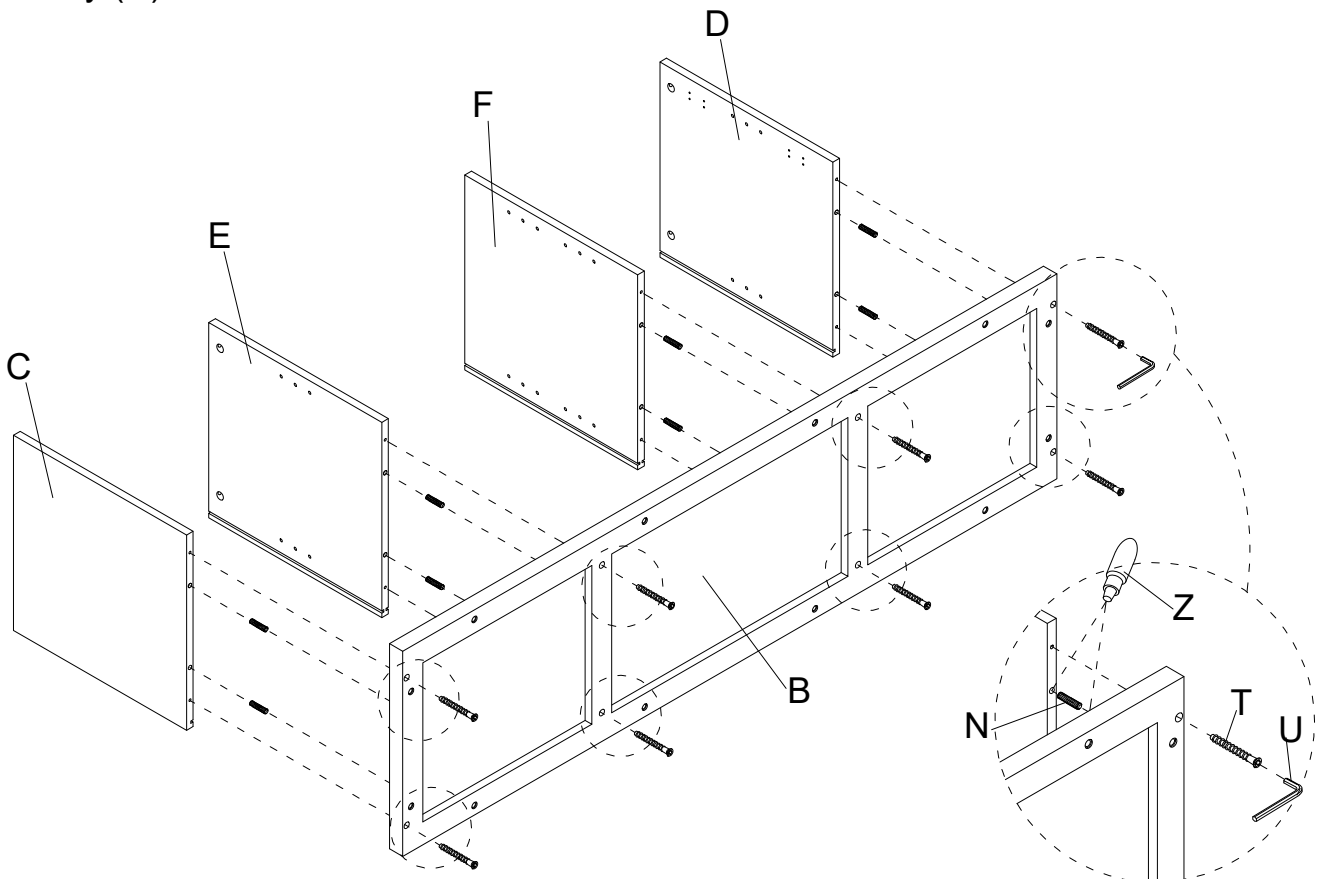


This first page and second page list all the contents included in the box. Please take the time to identify the hardware as well as the individual components to this product. As you unpack and prepare for assembly, place the contents on a carpeted or padded area to protect them from damage.

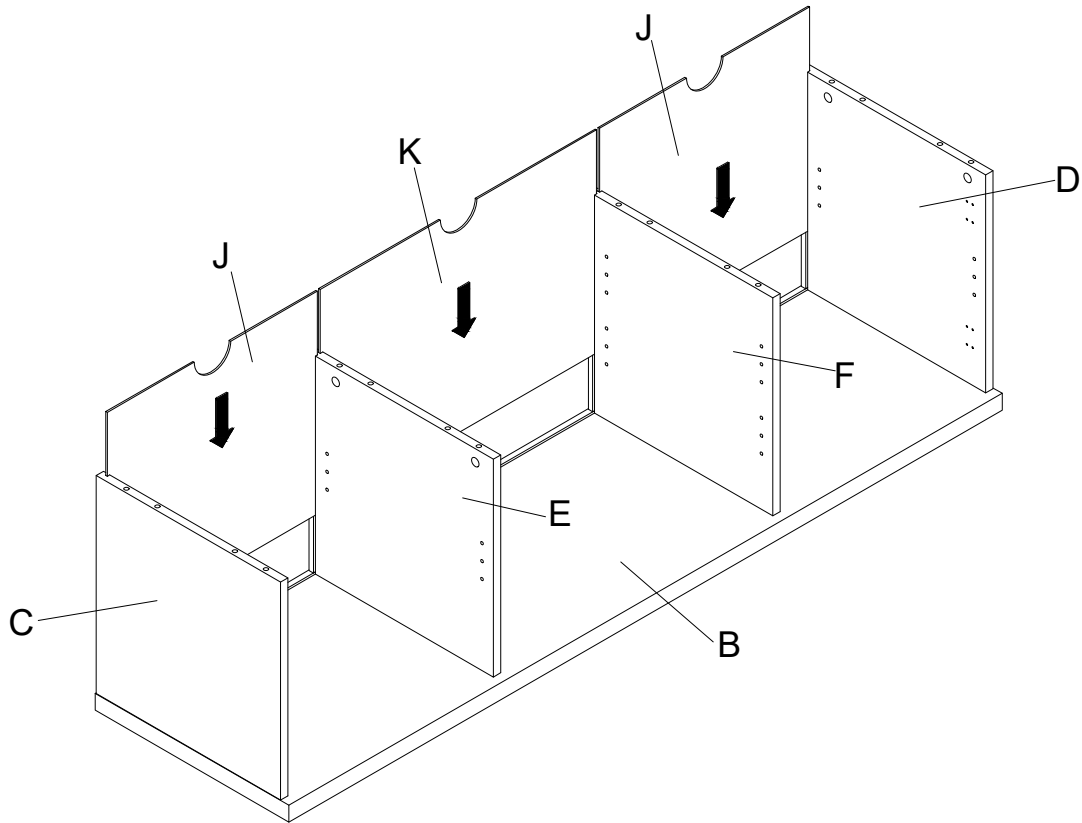
1 Insert Bolt (P) into Top Panel (A) by Screwdriver (AD) as below shown.



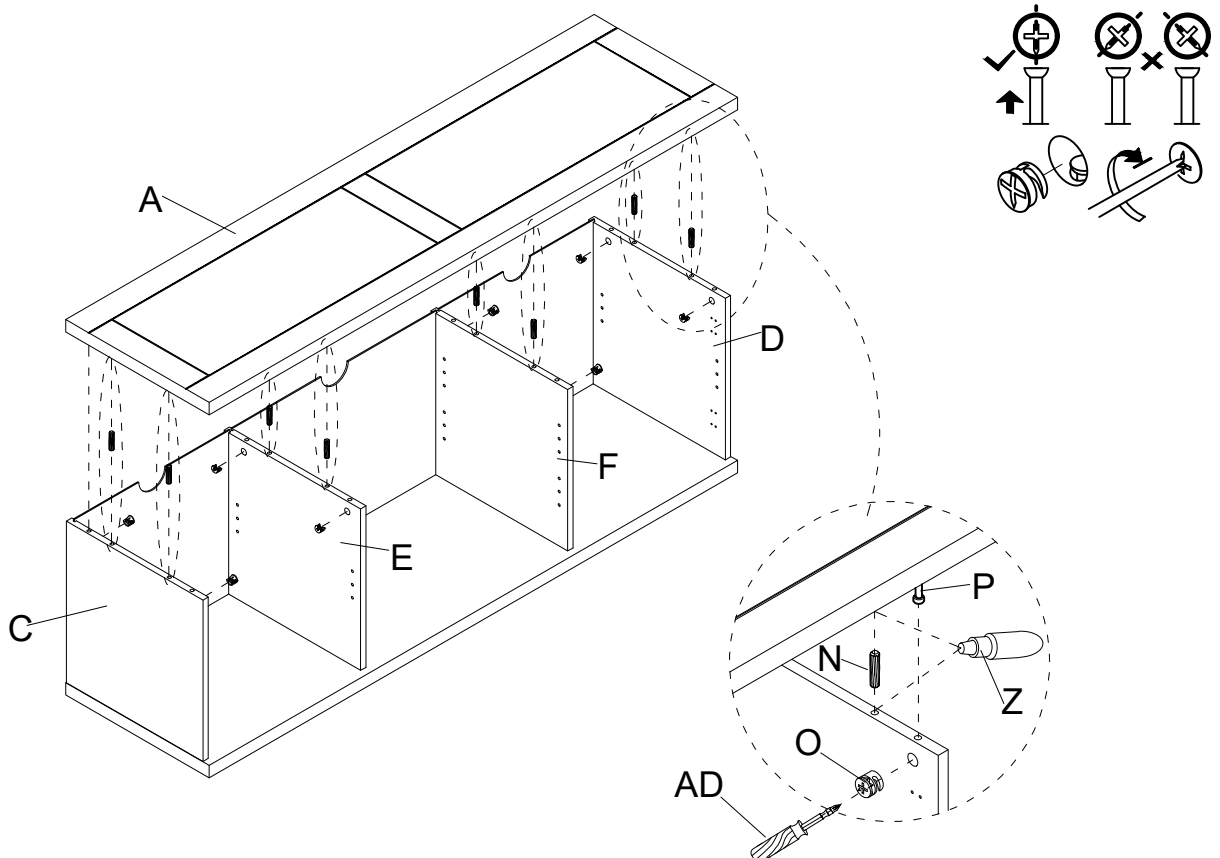
2 Assemble Side Panel - L (C), Side Panel - R (D), Middle Panel - L (E) & Middle Panel - R (F) to Bottom Panel (B), using Wood Dowel (N), Glue (Z) and Screw (T) by Allen Key (U) as below shown.



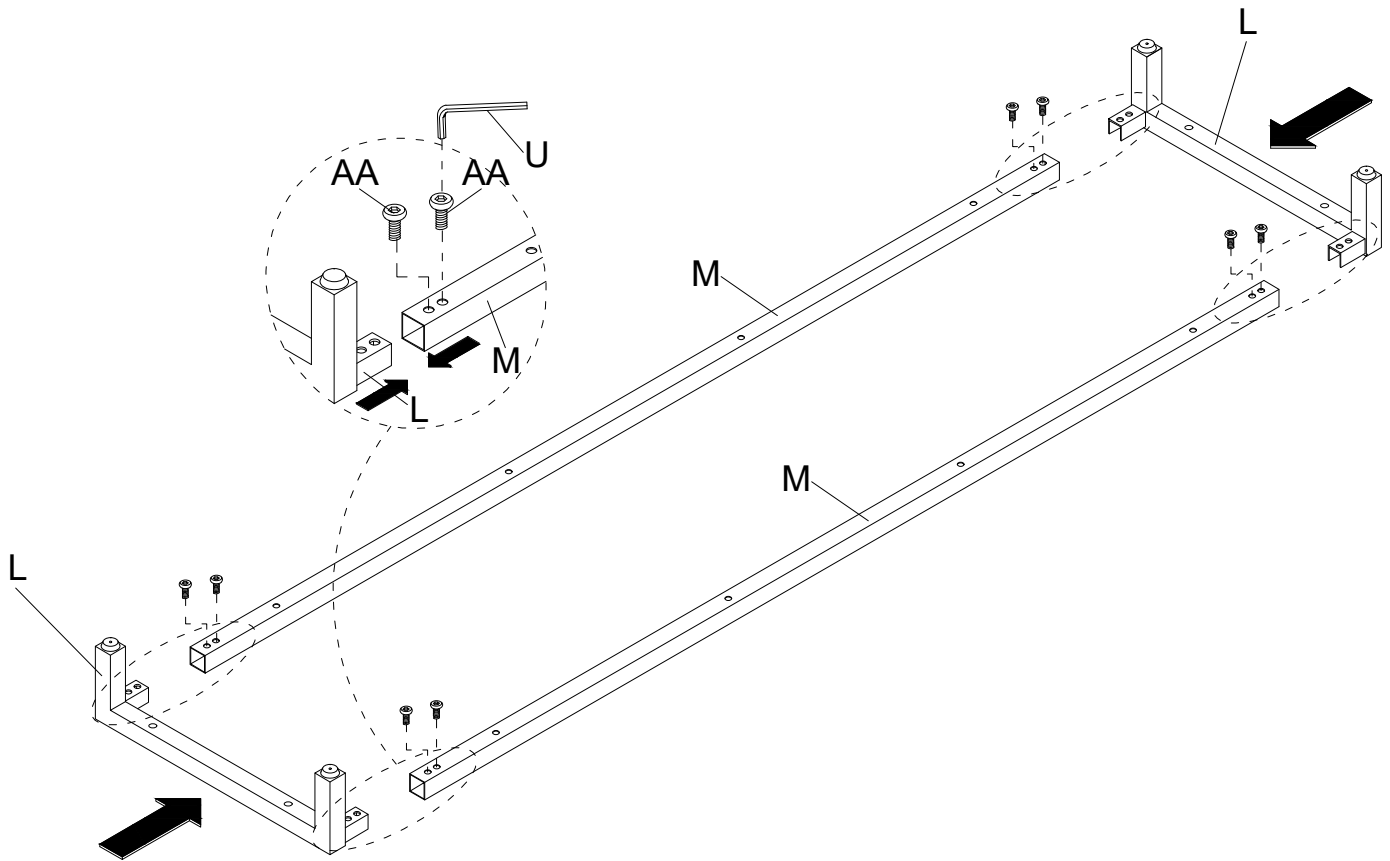
- 3** Insert Side Back Panel (J) & Middle Back Panel (K) to pre-assembled Side Panel - L (C), Side Panel - R (D), Middle Panel - L (E) & Middle Panel - R (F) and Bottom Panel (B) as below shown.



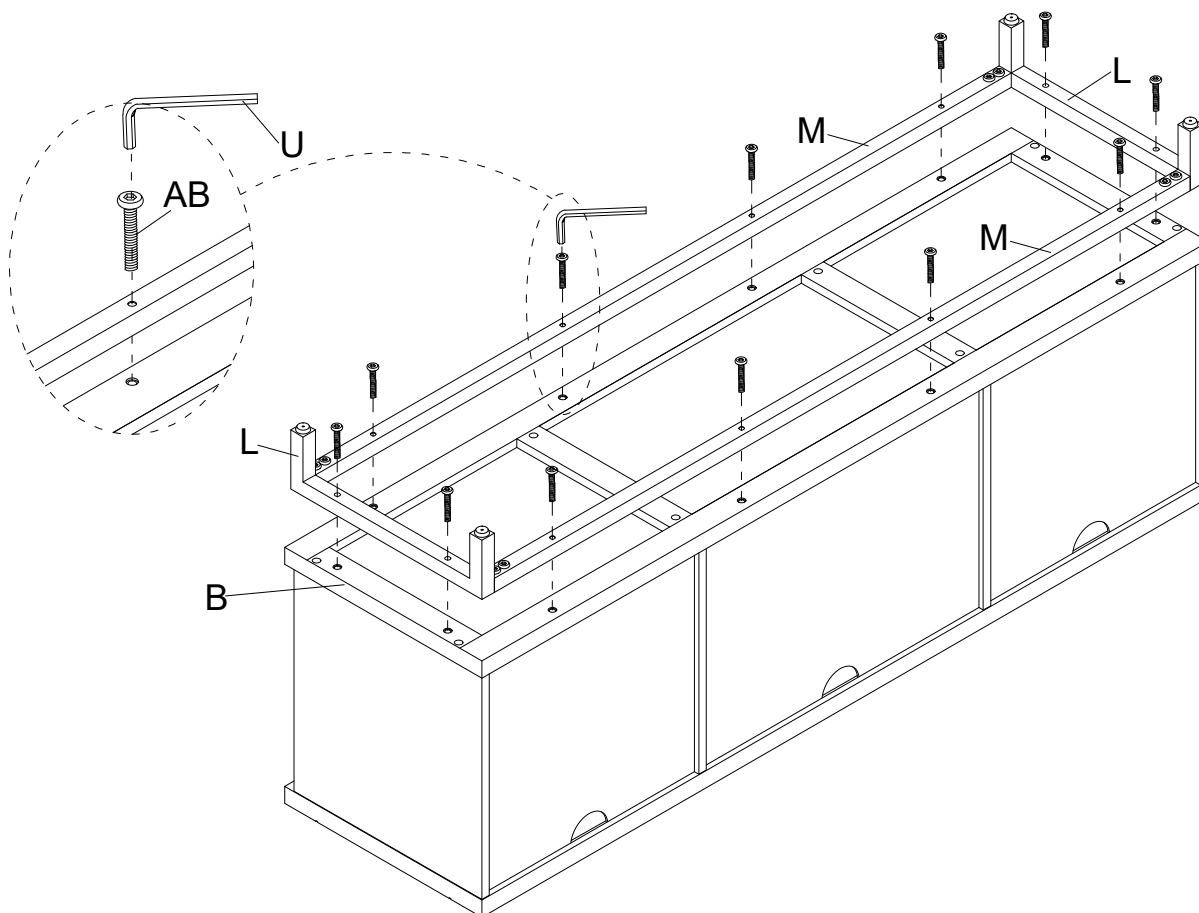
- 4** Assemble Top Panel (A) to pre-assembled Side Panel - L (C), Side Panel - R (D), Middle Panel - L (E) & Middle Panel - R (F), using Glue (Z) & Wood (N) first, then attach Nut (O) to Bolt (P) by Screwdriver (AD) as below shown.



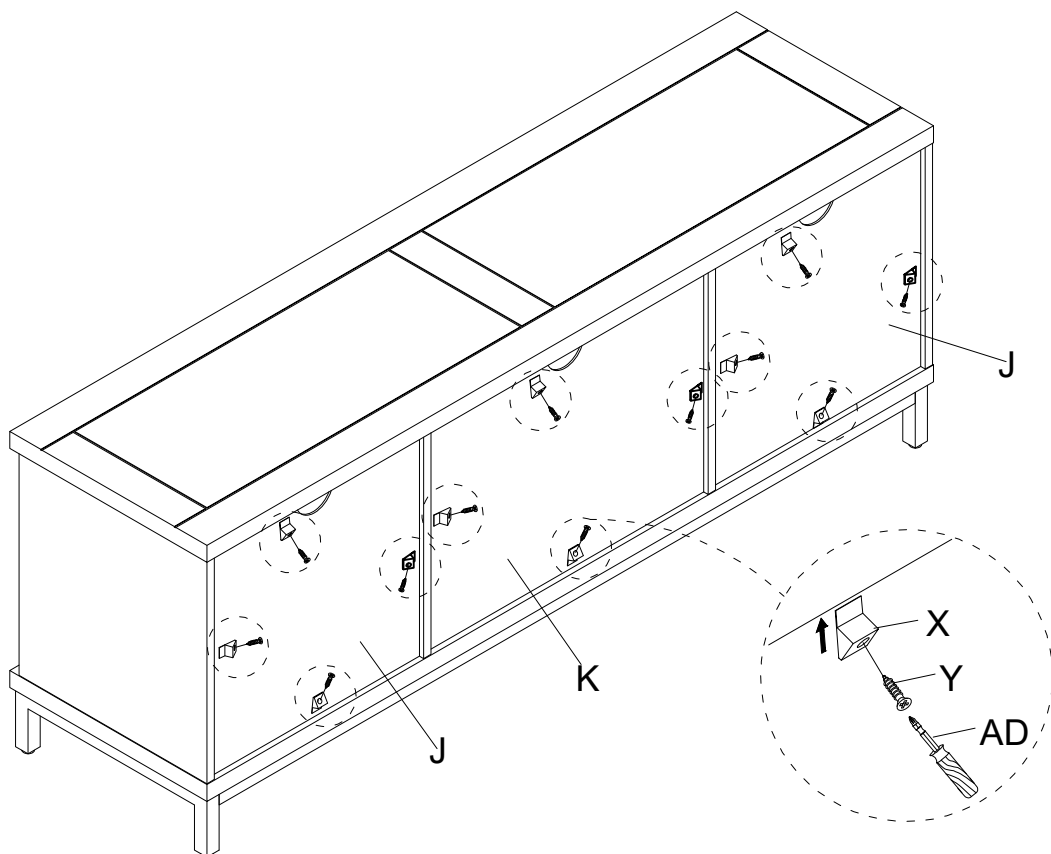
5 Insert Leg Frame (L) into Stretcher Bar (M), then using Bolt (AA) by Allen Key (U) as below shown.



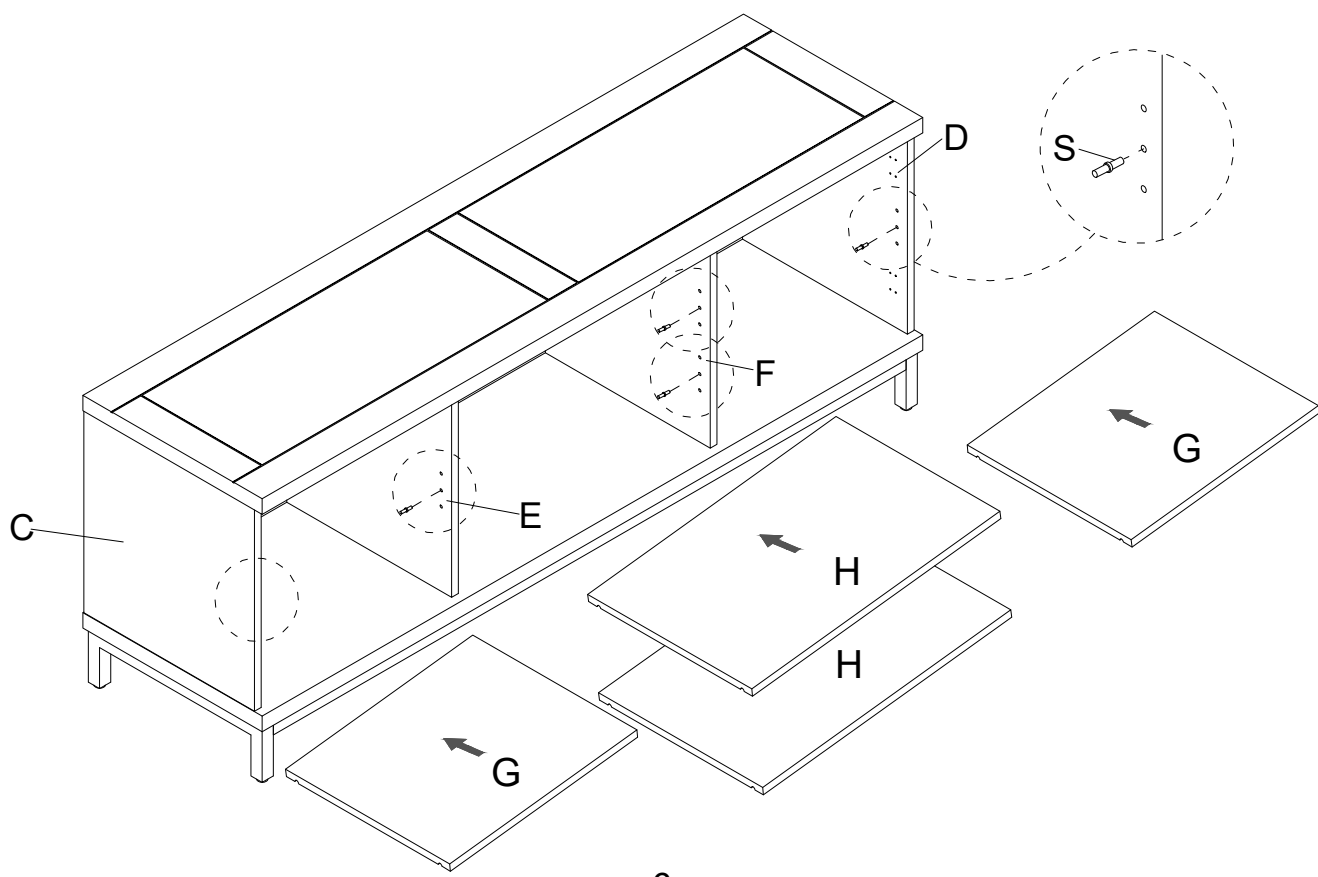
6 Attach pre-assembled Leg Frame (L) and Stretcher Bar (M) to Bottom Panel (B), using Bolt (AB) by Allen Key (U) as below shown.



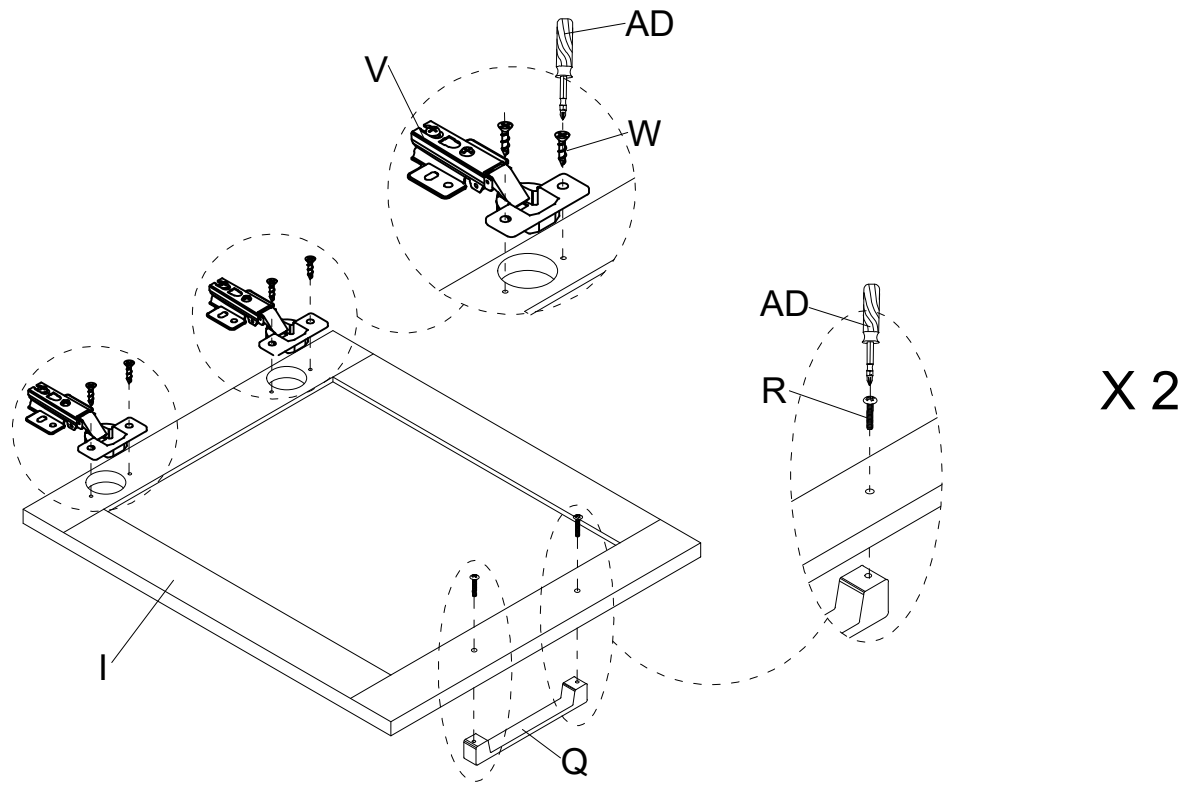
7 Attach Buckle (X) to Side Back Panel (J) & Middle Back Panel (K), using Screw (Y) by Screwdriver (AD) as below shown.



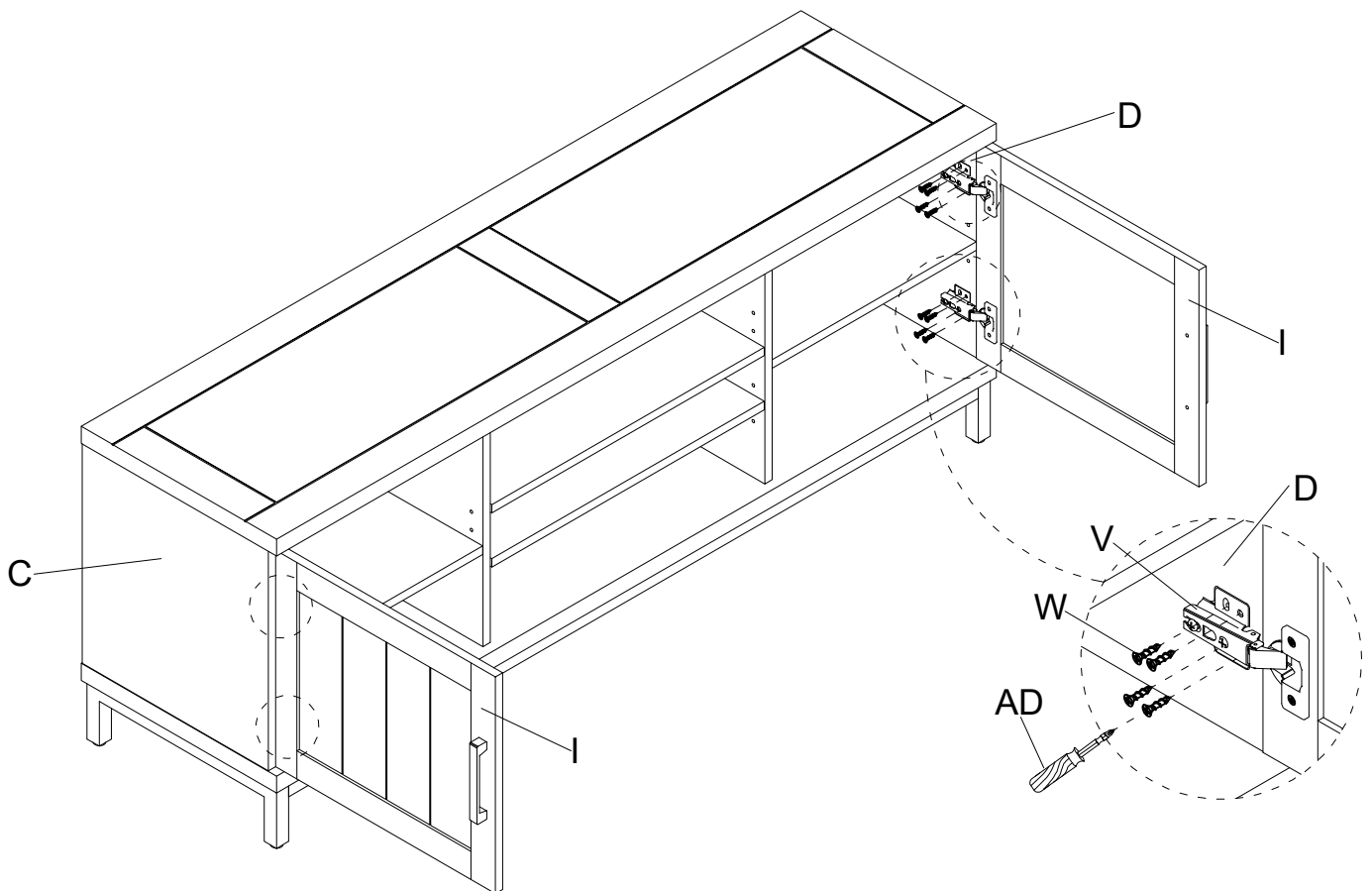
8 Insert Shelf Pin (S) to pre-assembled Side Panel - L (C), Side Panel - R (D), Middle Panel - L (E) & Middle Panel - R (F) as below shown. Then put Side Adjustable Shelf (G) and Middle Adjustable Shelf (H) onto Shelf Pin (S) as below shown. Remark: the Shelf Pin (S) is adjustable, you can assemble them to the level you need.



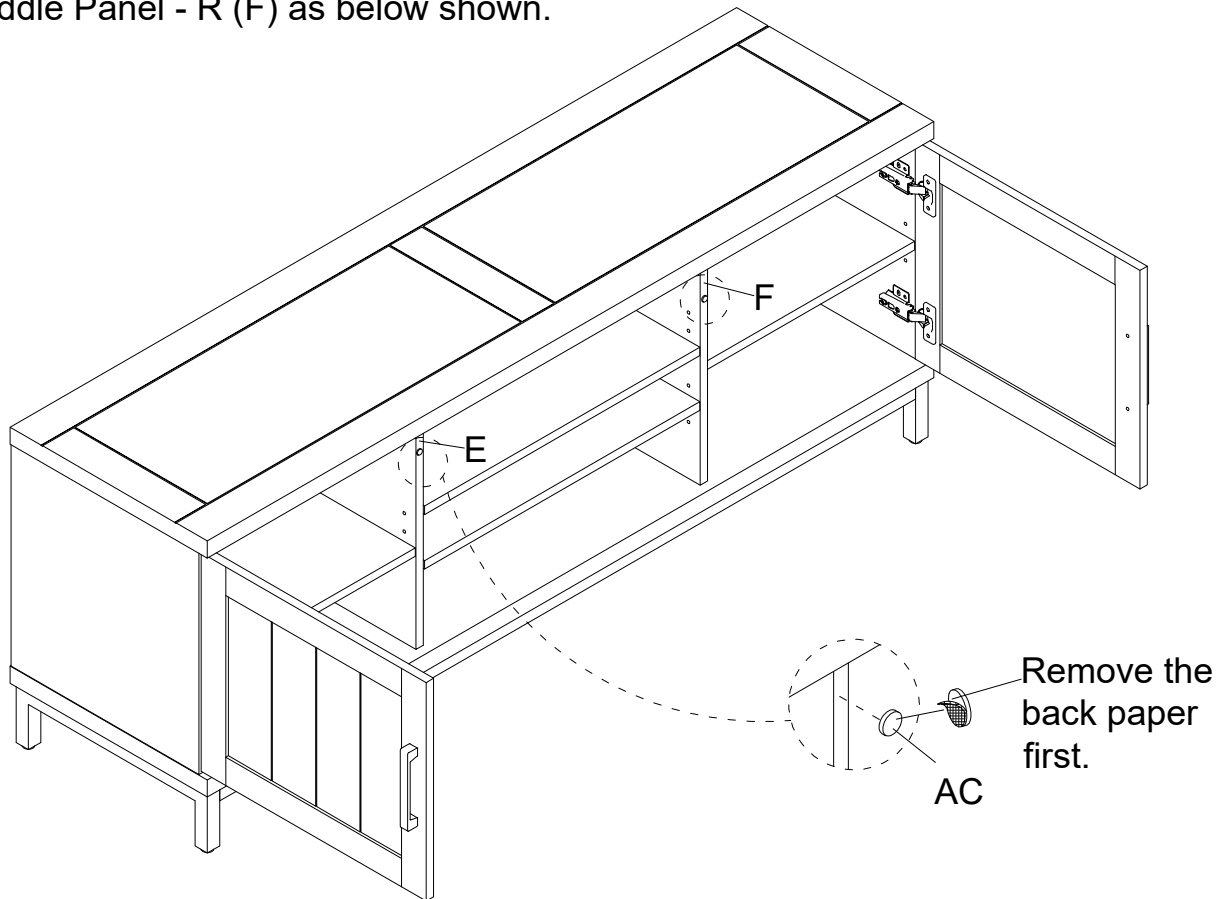
9 Attach Hinge (V) to Door Panel (I) using Screw (W) by Screwdriver (AD). Attach Handle (Q) to Door Panel (I) using Bolt (R) by Screwdriver (AD) as below shown.



10 Assemble Door Panel (I) to Side Panel - L (C) and Side Panel - R (D) through Hinge (V), using Screw (W) by Screwdriver (AD) as below shown.



-
- 11** Remove the back paper of Door Pad (AC), then stick it on Middle Panel - L (E) & Middle Panel - R (F) as below shown.



Cleaning & Care

Treat surface with care. Surface is resistant to scratches but is not scratch resistant. Clean surfaces with a dry or damp soft cloth. Do not use abrasive cleaners. Hardware may loosen over time. Periodically check that all connections are tight.