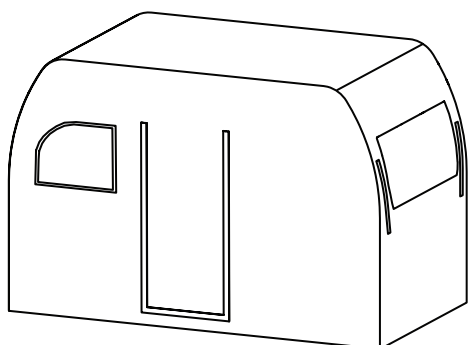


Assembly and Care Instructions



Martha Stewart Kids' Pet Grooming Van Play Tent G78104



Customer Service

In the U.S or Canada, for questions regarding this product, contact Guidecraft Customer Service at (800) 524-3555. Outside the US, contact the retailer from whom you purchased the product.

Limited Warranty

This product is warranted to the original purchaser at the time of purchase and for a period of one year thereafter. Please thoroughly inspect your product for missing or defective parts immediately after opening the carton. Proof of purchase required to receive replacement parts.

Assembly

Please note, during the assembly process, firmly seat all connectors and poles, or the fabric outer shell will not fit. The product has been designed with tension as the primary means of stability. If your cover does not fit, go back and twist and push the poles to ensure they are firmly positioned in the connectors. When completed, the cover should fit tightly.

If you wish to remove wrinkles, use a steamer on a low heat setting, being careful not to touch the fabric. The outer shell is made of a polycotton. Colors may fade if left in direct sunlight for long periods of time.

Fabric: 100% Polycotton

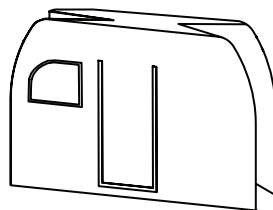
Care: Machine wash, cold water, 30°C, air dry. Do not bleach. For indoor use only.



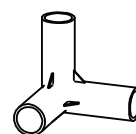
Guidecraft.com • 800-524-3555

⚠ WARNING

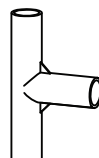
Keep tent away from fire and sources of heat. Adult assembly required.



A (1)



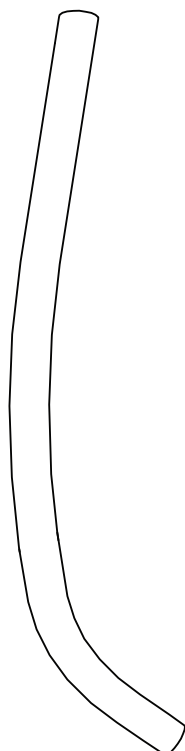
B (4)



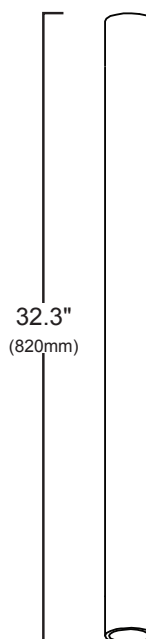
C (4)



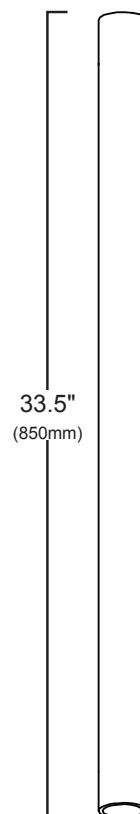
D (2)



E (4)



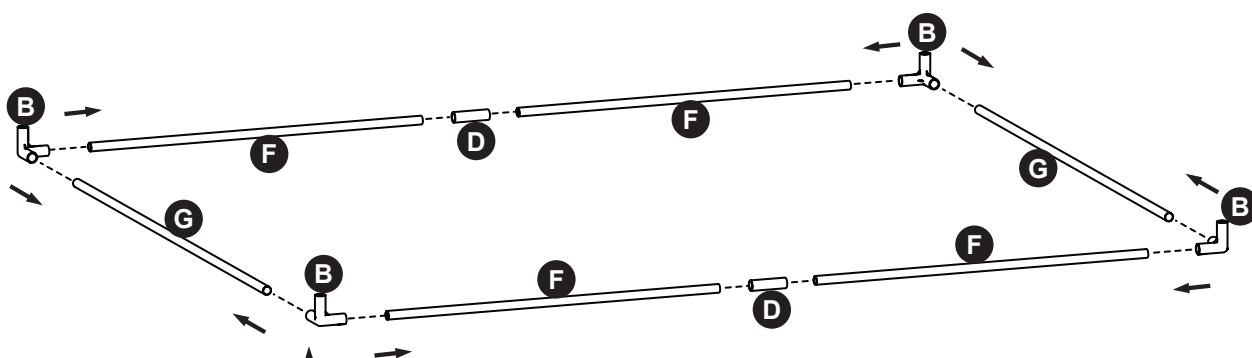
F (4)



G (6)

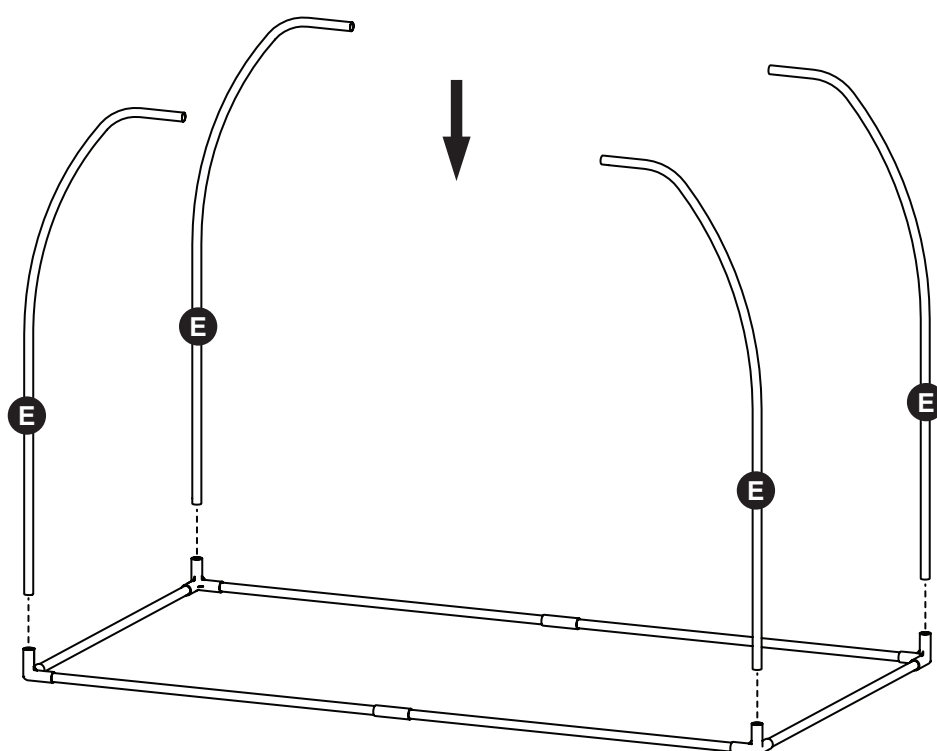
Assembly and Care Instructions

STEP 1



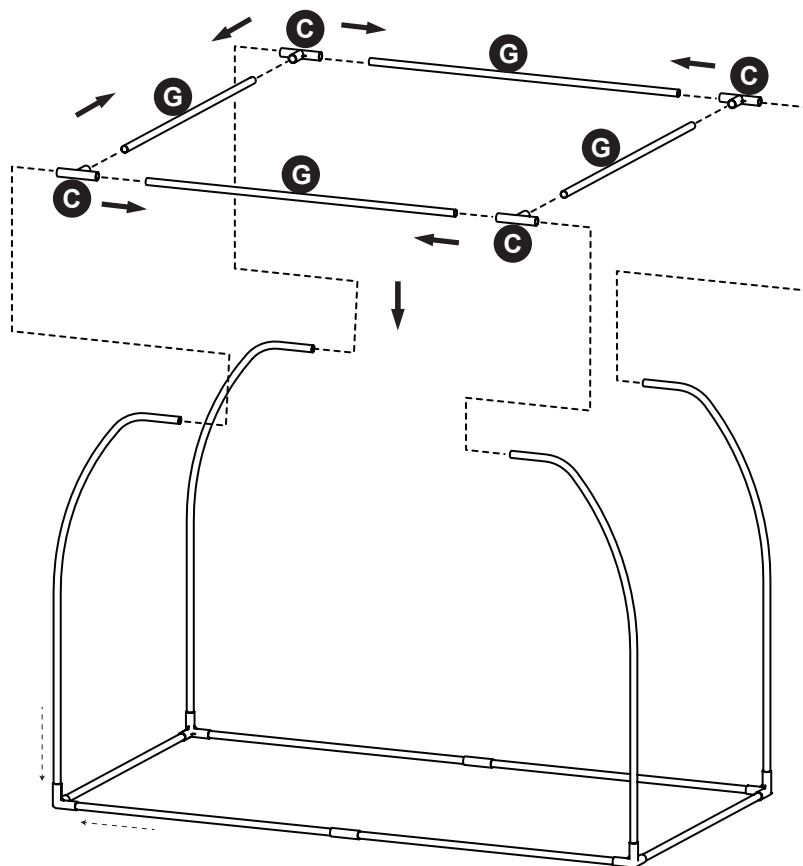
Note: firmly connect poles to connectors by twisting and pushing simultaneously. Any loose poles may prevent the cover from fitting over the frame.

STEP 2

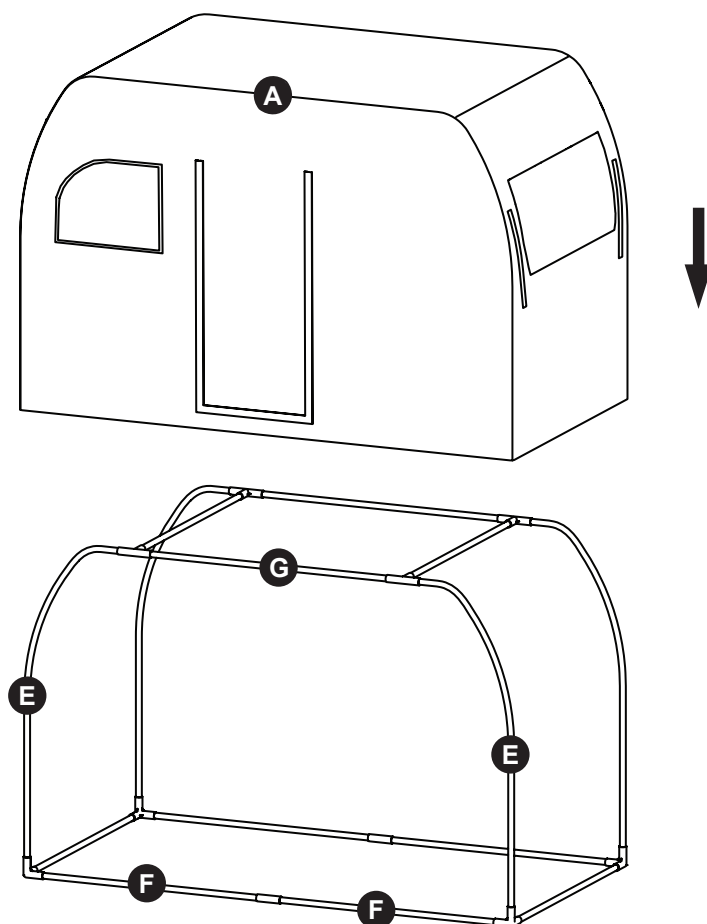


Assembly and Care Instructions

STEP 3



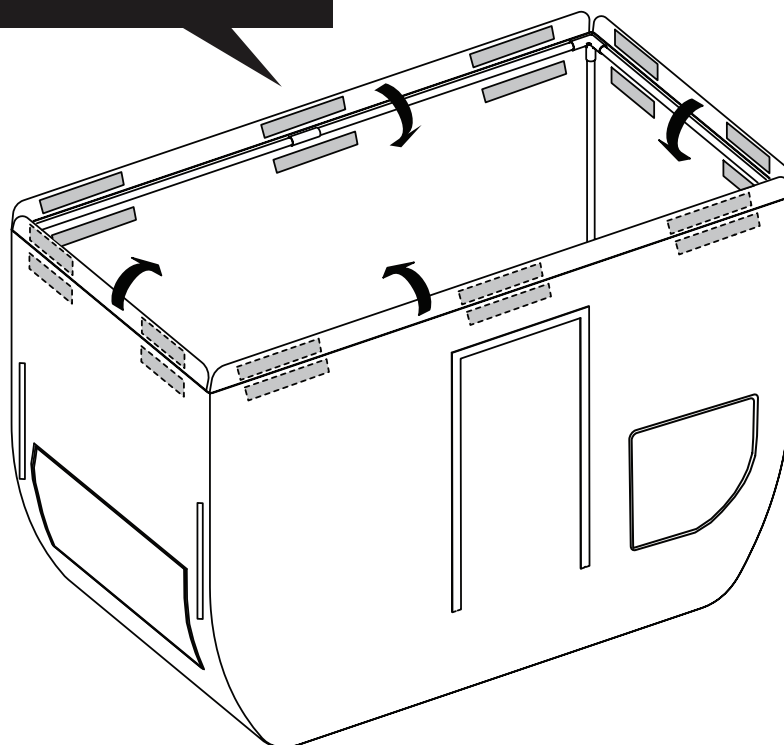
STEP 4



Assembly and Care Instructions

STEP 5

Note: Flip the tent upside down when connecting the Velcro on the inside.



STEP 6

