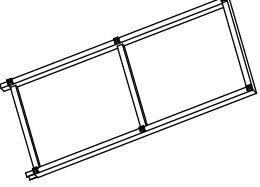
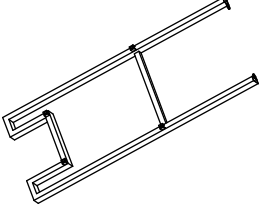
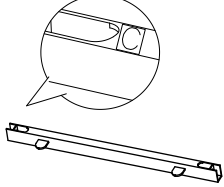
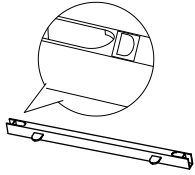
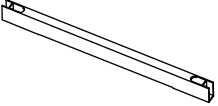

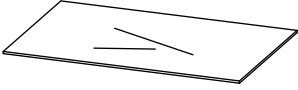

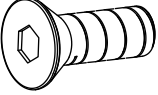
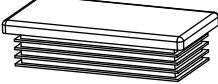

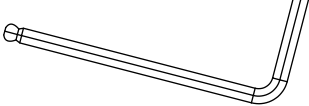
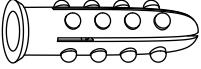

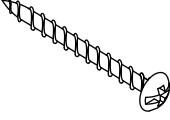

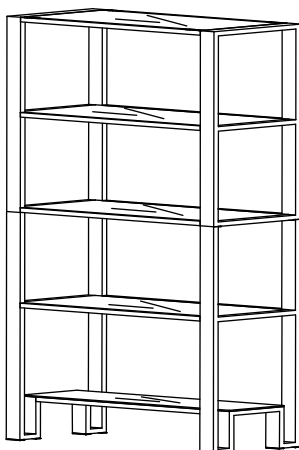


# ASSEMBLY INSTRUCTION

## E351-12L 36" WIDTH BOOKCASE

<b>A</b> Upper side panel  2pcs	<b>B</b> Under side panel  2pcs	<b>C</b> Stretcher (C)  2pcs	<b>D</b> Stretcher (D)  6pcs
<b>E</b> Stretcher (E)  2pcs	<b>F</b> Glass top Middle Size  1pc	<b>G</b> Glass shelf Large Size  3pcs	<b>H</b> Glass bottom Small Size  1pc
<b>I</b> Screw 1/4" x 1/2"  24pcs	<b>J</b> End cap  8pcs	<b>K</b> Glass pad  20pcs	<b>L</b> Allen wrench  1pc
<b>M</b> Wall Anchor (Anti-Tipping)  2pcs	<b>N</b> L Bracket (Anti-Tipping)  2pcs	<b>O</b> Screw (Anti-Tipping)  2pcs	<b>P</b> Plastic Strap (Anti-Tipping)  2pcs

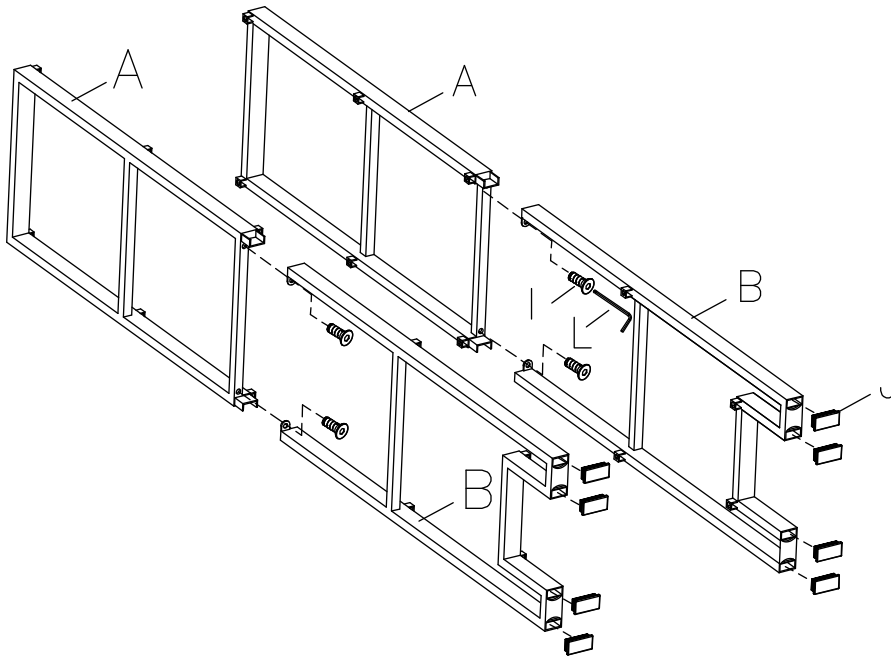


This page lists all the contents included in the box. Please take the time to identify the hardware as well as the individual components to this product. As you unpack and prepare for assembly, place the contents on a carpeted or padded area to protect them from damage.

**\*\*\* Do not tighten screws & bolts until the entire unit is completely assembled.**

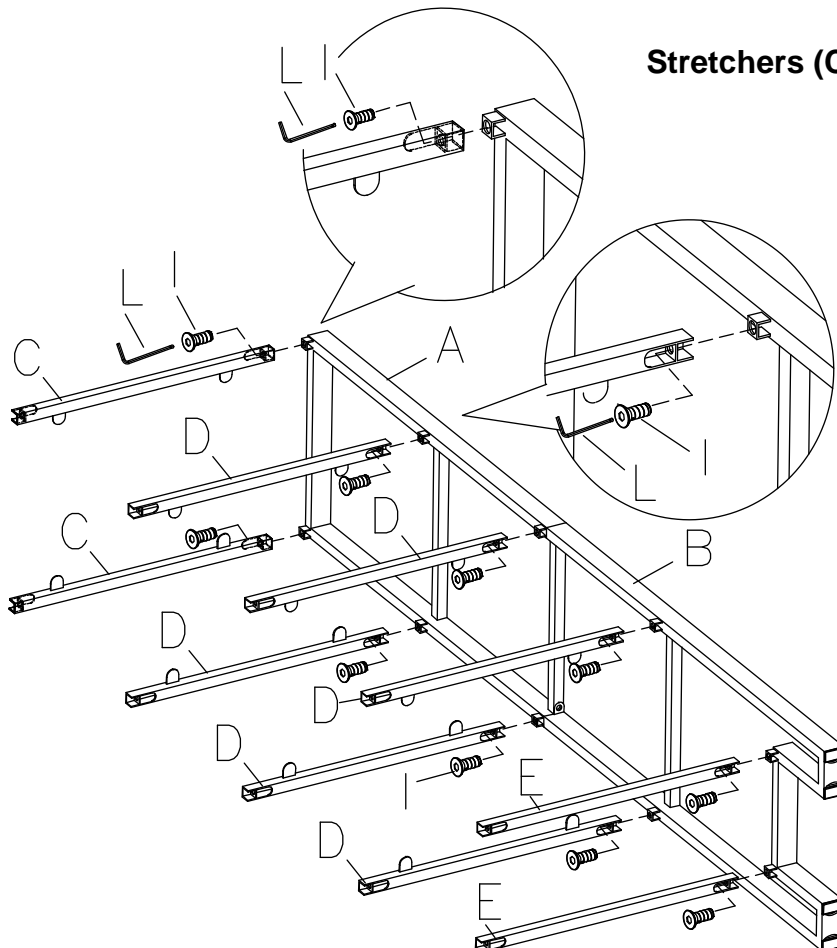
**1**

Attach end caps (J) to under side panel (B), then attach under side panel (B) to upper side panel (A) using screws (I) and allen wrench (L) as shown.



**2**

Attach stretchers (C) and stretchers (D) to upper side panel (A) using screws (I) and allen wrench (L), then attach stretchers (D) and stretchers (E) to under side panel (B) using screw (I) and allen wrench (L) as shown.



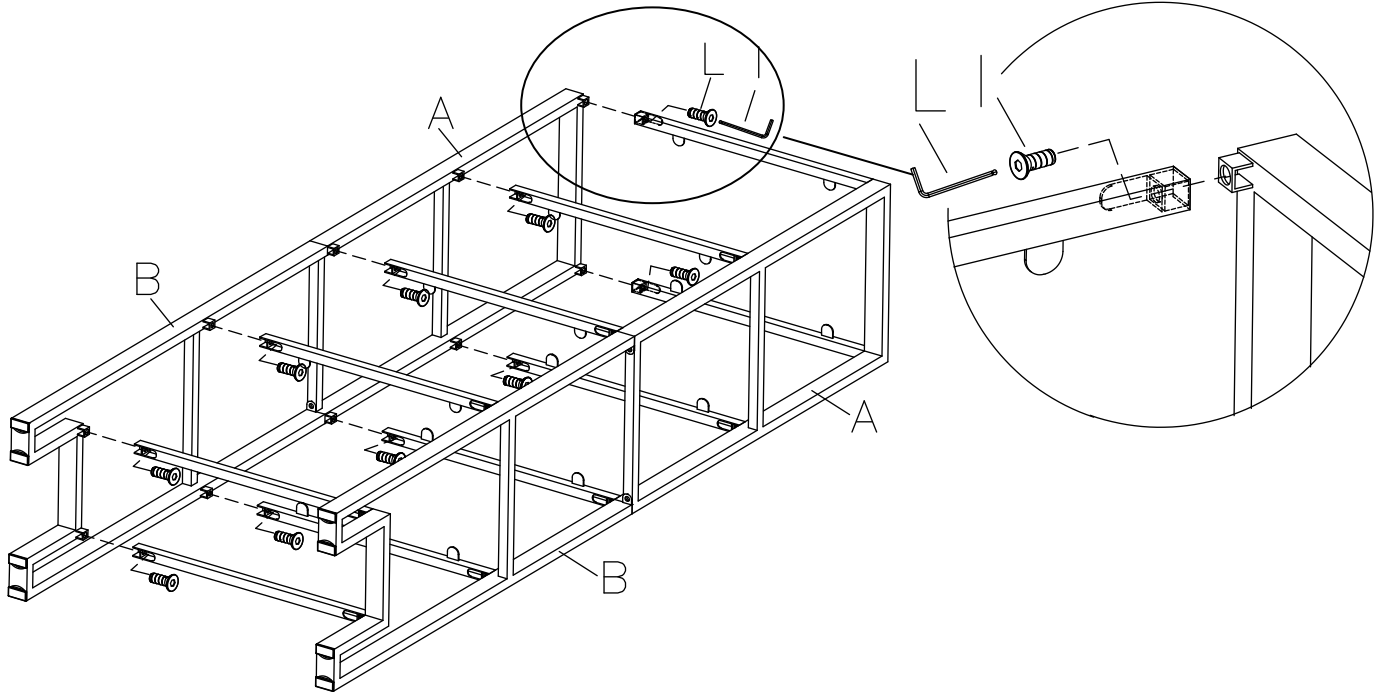
**Stretchers (C)'s gaps should face upward.**

**Stretchers (D)'s gaps should Face downward.**

**3**

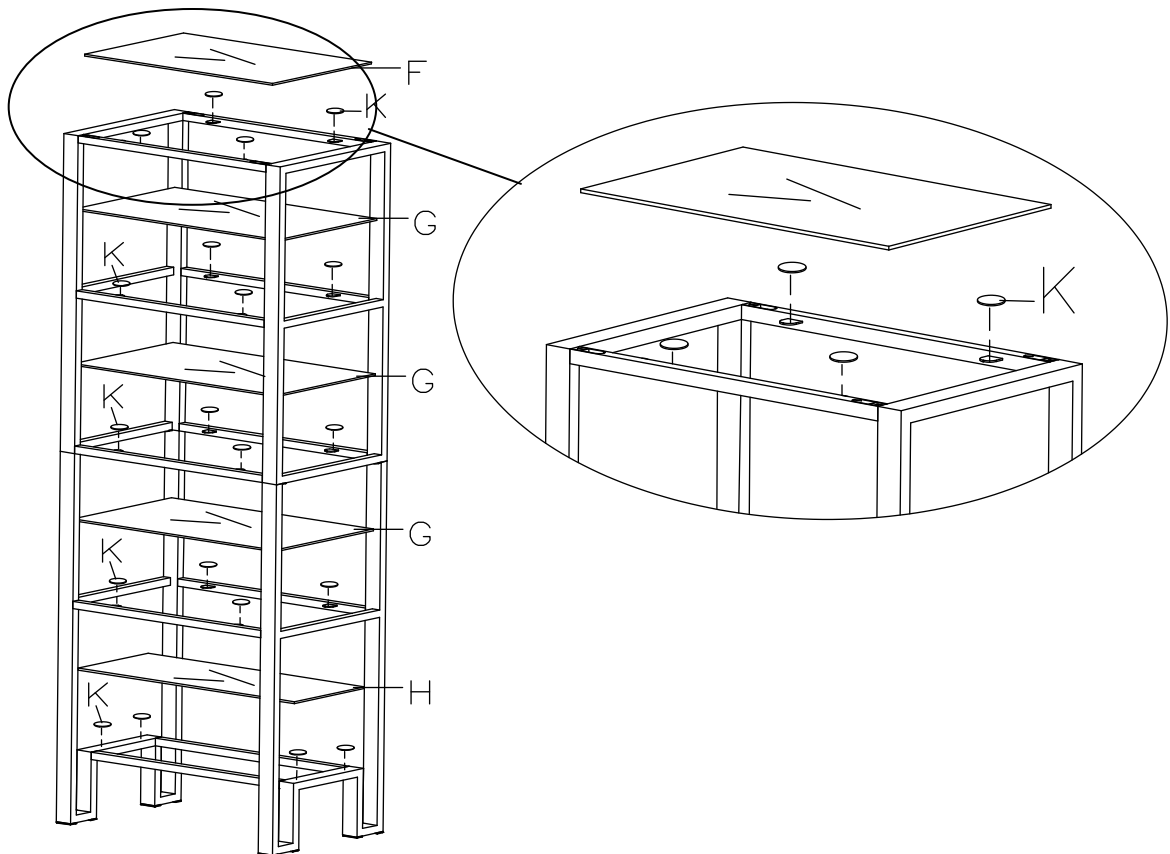
Repeat step 2 to attach stretchers (C), stretchers (D) and stretchers (E) as shown. Using screws (I) and allen wrench (L).

Tighten all screws and carefully turn the assembled unit upright.



**4**

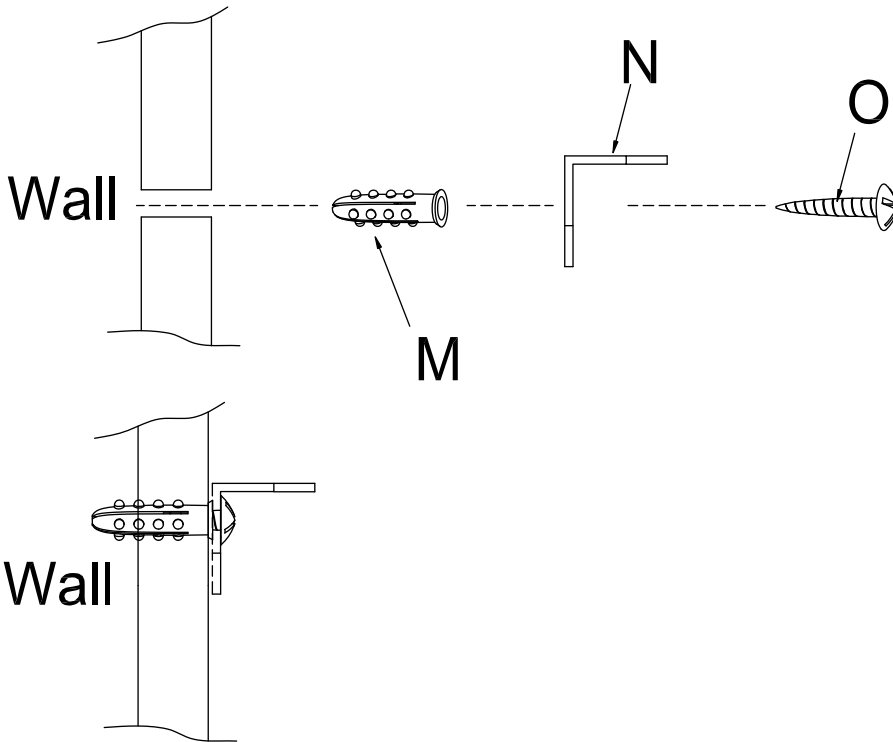
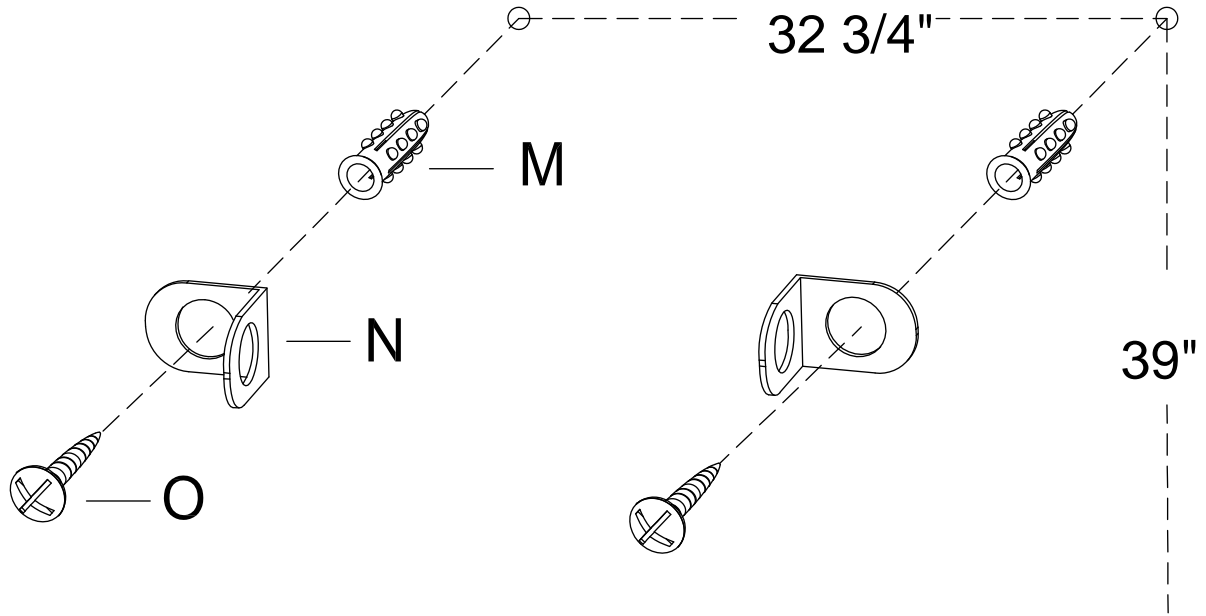
Put glass pad (K) onto all stretchers before putting on glass top (F), glass shelf (G) and glass bottom (H).



# 5

Select a location where you want the shelf mounted. Mark on the wall the two locations where the wall anchors (M) will be placed. Drill a hole for each anchor slightly smaller than the size of screws (O). Push the wall anchors (M) as far as it will go with your finger. Tap gently with a hammer until the anchors are in. Then align the L brackets (N) to the wall anchors (M) and insert screws (O) to secure.

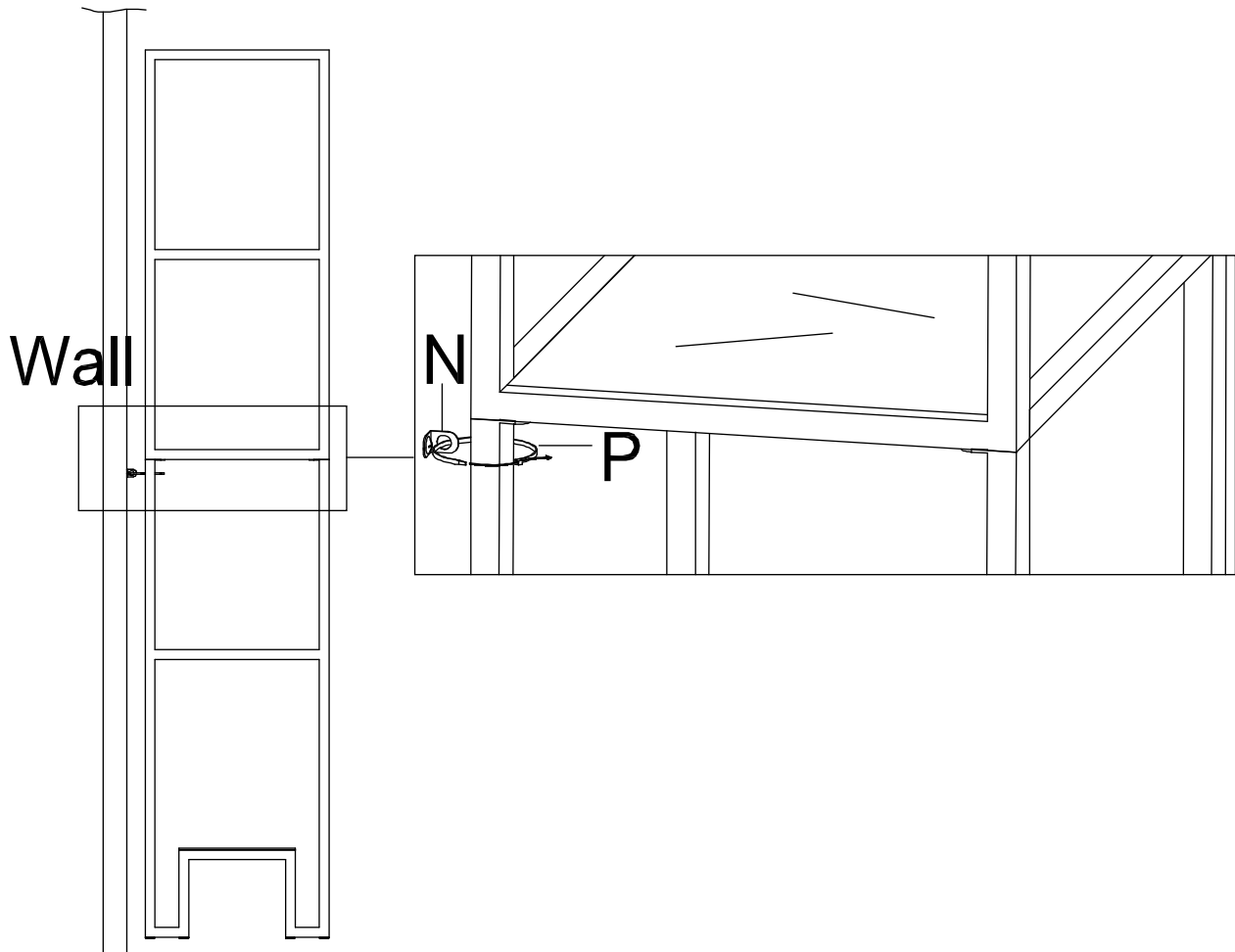
Wall



---

**6**

Insert each end of the plastic strap (P) into L brackets (N), then secure and tighten.



---

### Cleaning & Care

Treat surface with care. Surface is resistant to scratches but is not scratch resistant. Clean surfaces with a dry or damp soft cloth. Do not use abrasive cleaners. Hardware may loosen over time. Periodically check that all connections are tight.