

ELURA

COMMERCIAL

**GREEN LABEL SERIES
ZERO BEZEL IN-CEILING SPEAKER
OWNER'S MANUAL &
INSTALLATION GUIDE**



**ELURA G6.5Z-ECO-70
70V/8Ω ZERO BEZEL IN-CEILING SPEAKER**



CAUTION
RISK OF ELECTRIC SHOCK
DO NOT OPEN

ATTENTION
RISQUE DE CHOC ELECTRIQUE
NE PAS OUVRIR



WARNING:

To reduce the risk of fire or electric shock, do not expose this apparatus to rain or moisture.

AVIS:

Pour réduire le risque d'incendie ou de choc électrique, ne pas exposer cet appareil sous la pluie et l'humidité.

The apparatus shall not be exposed to dripping or splashing and that no objects filled with liquids, such as vases, shall be placed on apparatus.

L'appareil ne doit pas être exposé aux écoulements ou aux éclaboussures et aucun objet ne contenant de liquide, tel qu'un vase, ne doit être placé sur l'objet.



The lightning flash with arrowhead symbol, within an equilateral triangle, is intended to alert the user to the presence of uninsulated "dangerous voltage" within the product's enclosure that may be of sufficient magnitude to constitute a risk of electric shock to persons.

Le symbole de l'éclair fléché dans un triangle équilatéral, est destiné à alerter l'utilisateur de la présence d'une "tension dangereuse" dans le boîtier du produit qui peuvent être des ampleur suffisante pour constituer un risque d'électrocution aux personnes.



This symbol is intended to alert the user to the presence of important operation and maintenance (servicing) instructions in the literature accompanying the appliance.

Ce symbole est destiné à alerter l'utilisateur de la présence d'opération et de maintenance (entretien) dans la documentation accompagnant l'appareil.

Important Safety Instructions

1. Read these Instructions.
Lisez ces instructions.
2. Keep these Instructions.
Conservez ces instructions.
3. Heed all Warnings.
Respectez tous les avertissements.
4. Follow all instructions.
Suivez toutes les instructions.
5. Do not use this apparatus near water.
Ne pas utiliser cet appareil près de l'eau.
6. Clean only with a dry cloth.
Nettoyer uniquement avec un chiffon sec.
7. Do not block any ventilation openings. Install in accordance with the manufacturer's instructions.
Ne pas bloquer les ouvertures de ventilation. Installer conformément aux instructions du fabricant.
8. Do not install near any heat sources such as radiators, heat registers, stoves, or other apparatus (including amplifiers) that produce heat.
Ne pas installer près de sources de chaleur telles que radiateurs, registres de chaleur, poêles ou autres appareils (y compris les amplificateurs) produisant de la chaleur.
9. Do not defeat the safety purpose of the polarized or grounding - type plug. polarized plug has two blades with one

wider than the other. When the provided plug does not fit into your outlet, consult an electrician for replacement of the obsolete outlet.

Ne détruisez pas la sécurité de la terre ou polarisées - fiche. Une fiche polarisée possède deux lames dont une est plus large que l'autre. Si la fiche fournie ne rentre pas dans votre prise, consultez un électricien pour remplacer la prise obsolète.

10. Protect the power cord from being walked on or pinched particularly at plugs, convenience receptacles, and the point where they exit from the apparatus.

Protégez le cordon d'alimentation d'être piétiné ou pincé, particulièrement au niveau des fiches, des prises, et le point où ils sortent de l'appareil.

11. Only use attachments/accessories specified by the manufacture .
N'utilisez que des accessoires spécifiés par le fabricant.

12. Use only with a cart, stand, tripod, bracket, or table specified by the manufacturer, or sold with the apparatus. When a cart or rack is used, use caution when moving the cart/apparatus, combination to avoid injury from tip-over.



Utilisez uniquement un chariot, stand, trépied, support ou table spécifiés par le fabricant ou vendu avec l'appareil. Quand un panier ou rack est utilisé, faites attention lorsque vous déplacez l'ensemble chariot / appareil, pour éviter d'éventuelles blessures en cas de chute.

13. Unplug this apparatus during lightning storms or when unused for long periods of time.

Débranchez cet appareil pendant les orages ou lorsqu'il n'est pas utilisé pendant de longues périodes de temps.

14. Refer all servicing to qualified service personnel. Servicing is required when the apparatus has been damaged in any way, such as power-supply cord or plug is damaged, liquid has been spilled or objects have fallen into the apparatus, the apparatus has been exposed to rain or moisture, does not operate normally, or has been dropped.

Confiez toute réparation à un personnel qualifié. Une réparation est nécessaire lorsque l'appareil a été endommagé de quelque façon que ce cordon d'alimentation ou la fiche est endommagé, liquide a été renversé ou des objets sont tombés dans l'appareil, l'appareil a été exposé à la pluie ou à l'humidité, ne fonctionne pas normalement, ou s'il est tombé.

15. **WARNING:** The mains plug (appliance coupler) is used as disconnect device, the disconnect device shall remain readily operable.

AVERTISSEMENT: La fiche d'alimentation (appareil coupleur) est utilisé comme dispositif de déconnexion, le dispositif de déconnexion doit rester facilement accessible.

16. No naked flame sources, such as lighted candles, should be placed on the apparatus.

Aucune source de flamme nue, telle que des bougies allumées, ne doit être placé sur l'appareil

17. Protective earthing terminal. The apparatus should be connected to a mains socket outlet with a protective earthing connection.



Borne de terre de protection. L'appareil doit être connecté à une prise secteur avec une prise de terre.

Overview

The Elura G6.5Z-ECO-70 in-ceiling speaker is best suited for a wide variety of foreground and background applications such as restaurants, retail, concourses, transportation terminals, worship facilities, etc. This speaker is designed to work with 8 ohm or 70/100 volt amplifiers with a wide variety of transformer settings for the desired sound level requirement.

Features

- Magnetically attached round grille
- Grille can be painted
- Easily adjustable 70V/100V tap switch integrates into any distributed audio system
- Loophrough speaker connector
- Includes tile bridge

Unpacking

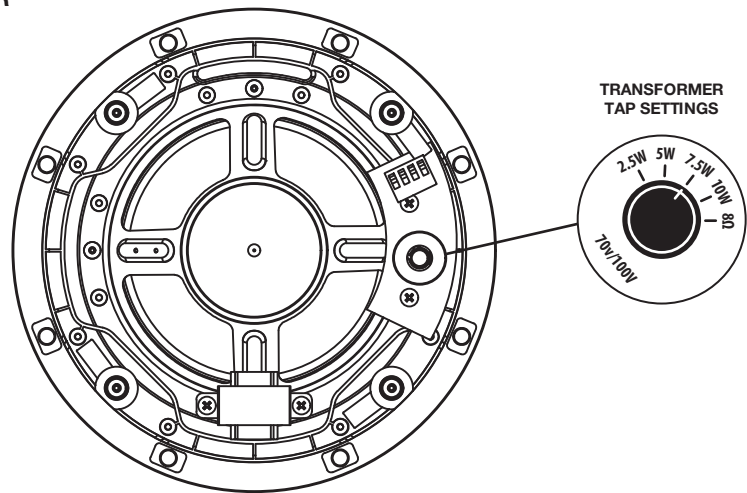
Carefully remove your new Elura speaker from the box. Inspect the speaker for transit damage. If you discover damage, contact your dealer immediately. Save your carton - it is the best possible protection for your speaker should you ever have a need to move it.

Installation

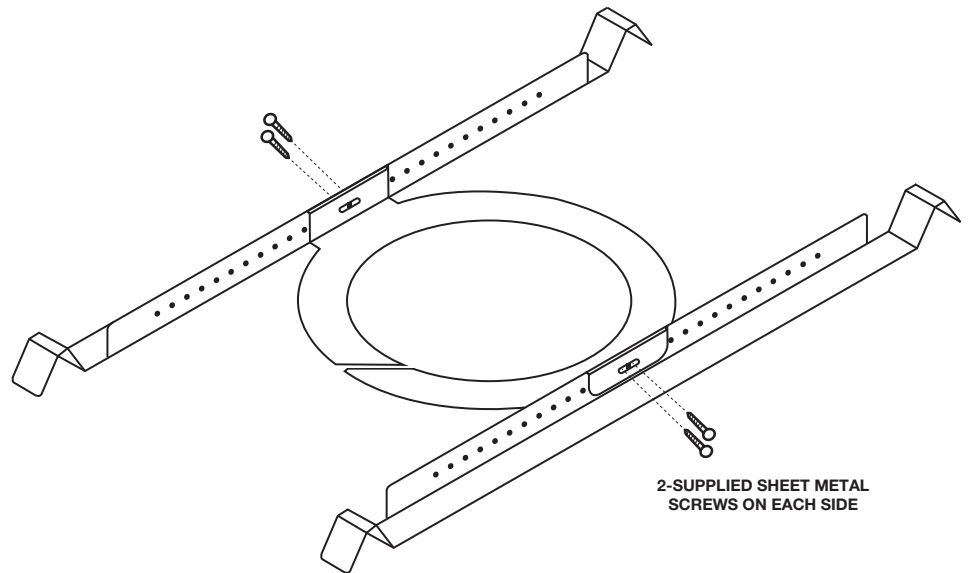
Speaker placement is an important factor in designing an effective and efficient audio system. Take into consideration the current needs of your system as well as the needs of any future changes or expansions. In most cases, speakers that are placed balanced and symmetrically will yield favorable results. Install speakers a minimum of 6' to 8' apart to ensure proper stereo imaging (if applicable) and at least 2' from corners of the room to avoid bass loading.

Ceiling speakers are intended to be mounted in acoustic suspended ceilings or in between joists or trusses. Use a stud finder to locate joists, trusses, or other construction elements that may affect or interfere with speaker

SPEAKER



TILE BRIDGE



placement. Before installation, consider the requirements in order to properly route wire to the speaker location.

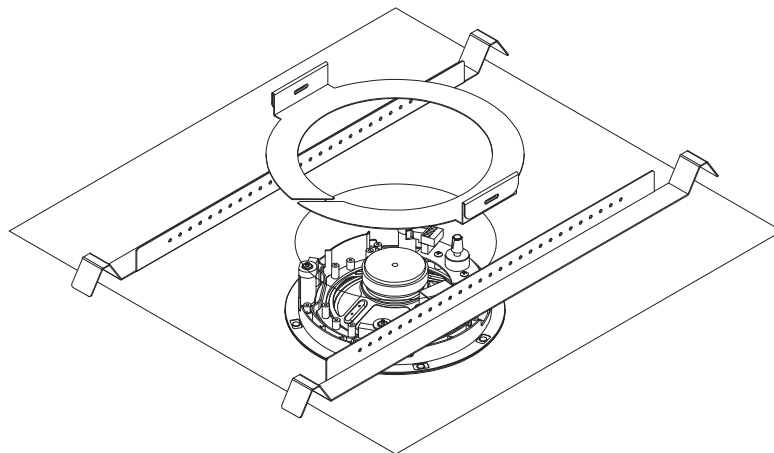
This manual assumes the installer possesses skill in the use of handheld and power tools, knowledge of local building and fire codes, and familiarity with the construction of the building and infrastructure or equipment located behind the wall or above the ceiling. Turn off the breaker(s) for nearby electrical lighting or outlets before starting installation to prevent possible injury. Elura assumes no responsibility for damage or injury caused by improper or unsafe installation.

Safety Notices

- Regional construction codes may mandate use of a backup support tether.
- An attachment point for this tether is provided on the back of the speaker.
- Check local codes for specific requirements.
- When using a drill to tighten the mounting clamps, use the clutch to prevent overtightening and damage.

Tools You'll Need

- Utility knife, jig saw, or drywall saw
- Phillips screwdriver (#2) or cordless drill with clutch and Phillips (#2) bit
- Wire cutter and stripper
- Tape measure
- Level
- Pencil
- Wire fishing tools
- Drill bit
- Stud finder
- Painters/masking tape
- Drop cloth



New Drywall Installation

New construction is the easiest time to choose and wire each speaker location. It is suggested that you use pre-construction brackets to simplify final installation. Pre-construction brackets are designed to act as a speaker locator for finish contractors. It is highly recommended that you consult with the finish contractors to discuss the cut out requirements in each room. Take steps to increase the rigidity of the mounting surface by using additional drywall screws. The use of construction adhesive between the drywall and joists adjacent to the speaker location will further enhance performance while strengthening the wall around the speaker. Vibrations from improper speaker installation can cause plaster to fail and crack and paint to chip, and screw heads may show in the drywall and other masonry materials.

Retrofit Drywall Installation

- Lay out a drop cloth to catch dust and debris.
- Select locations. Use a stud finder, if applicable, to locate obstructions.
- Use the included template and a pencil to mark the cutout required for the speaker.
- Drill a small exploratory hole in the center of the marked location.
- Use the wire fishing tools to check for obstruction that would prevent installation of the speaker.
- If you find the location to be suitable, use a utility knife to score the mark from bullet #3.
- Use the jigsaw or drywall knife to cut on the inside of the scored line to avoid damage.
- Check the speaker fit and adjust as necessary.
- Repeat for all speaker locations.

Acoustic Ceiling Tile Installation

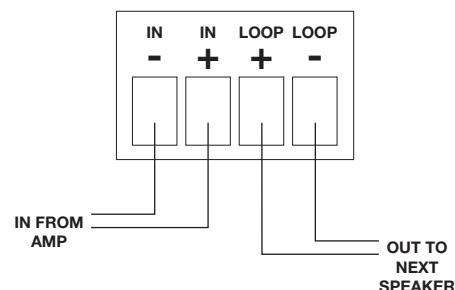
- Plan your speaker locations. Make sure there are no obstacles in the ceiling space above the tiles where you plan to install any speakers.
- Mark the ceiling tile where you want the speaker to be installed.
- Remove the tile from the ceiling grid.
- Using the supplied template mark and cut a hole in the cosmetic side of the ceiling tile where you want the speaker to be installed using your drywall saw. Be sure to saw into the cosmetic side of the tile to avoid chips of the tile from showing around the speaker bezel after the install. Test the fit of the speaker in your cutout.
- Assemble the tile bridge (inverted) as shown in the illustration making sure the C-Ring lines up with your speaker cutout and the two V-Rails extend over each end of the ceiling tile equally. Install the four sheet metal screws into the C-Ring to lock the V-Rails into place.
- Place the cut ceiling tile face-up on top of the tile bridge.
- Insert the speaker into the opening. Tighten the four dog ear screws using a #2 Phillips Screwdriver. Make sure the tile bridge stays centered and that the mounting dogs clamp onto the ring. Be careful, overtightening the screw can damage the ceiling tile and/or the speaker.
- Set the speaker tap switch on the rear of the speaker to the appropriate setting.
- Maneuver the speaker, tile bridge, and tile to the ceiling grid, and attach the screw terminal connector.

- Attach a security tie wire to the eyelet on the rear of the speaker and attach the other end to the ceiling support system per your local building code.
- Slide the whole assembly into the ceiling, and place the grille on the front of the speaker.

Speaker Connections:

Note: Turn off amplifiers before making connections.

- Remove about 6" of the outer cable jacket to expose the inner wires.
- Strip 1/4" of insulation from each conductor.
- Use a small screw driver to connect the wires to the speaker terminals. Observe correct polarity, connecting the positive (red) wire to + and the negative (black) wire to -.
- Two (+) terminals and two (-) terminals are provided for ease of installation in distributed audio systems. Use either terminal for INPUT or LOOP (if required).
- If using the speaker with an 8 Ohm or 'low impedance' amplifier, turn the tap selection switch to 8 Ohm (bypass). If using a 100V or 70V system, turn the tap selection switch to a 'high impedance' setting.



Specifications

Woofer	6.5" paper cone woofer with treated paper surround
Power	5-15W @ 8Ω
Transformer Taps & Thru Settings	2.5W/5W/7.5W/10W 70V taps and 8Ω bypass
Frequency Response	80Hz - 20KHz
Sensitivity 1W/1M	93 dB
Speaker Dispersion Angle (-6dB)	110° conical (500Hz – 5kHz average)
Grille	Magnetically attached, low profile, round powder-coated steel grille
Overall Dimensions	9.17" (diameter) round x 2.79" D (233mm x 70.8mm)
Required Ceiling Cutout	8.19" (diameter) round (208mm)
Net Weight	3 lb (1.35 kg)
Gross Weight	36.5 lb (16.55 kg)

Final Installation

- To install the speakers, turn each mounting clamp inward so they do not protrude from the speaker.
- Insert the speaker into the hole.
- Tighten each mounting screw with a manual or power Phillips driver. Do not over tighten! Over tightening can damage the clamps or ceiling materials. If using a drill, set the clutch to a low torque ("5" on most drills) to help prevent damage.
- Attach the magnetic grille.

Painting the Speaker Grille

The Elura speakers are supplied with round grilles. The grille can be painted without primer. A spray type paint is highly recommended over a brushed or rolled paint. Application other than spraying may result in clogged grille perforations and reduced acoustic performance. Paint will not affect the magnetic grille or its abilities to maintain a strong hold to the baffle. The magnets are very strong and are located in the speaker.

Product Warranty

The seller warrants the G6.5Z-ECO-70 free from defects in the material and workmanship for 5 years from the date of purchase from the seller or authorized dealer. Should this product fail to be in good working order within the warranty period, the seller, at its option repair or replace the unit, provided that the unit has not been subjected to accident,

disaster, abuse, or any unauthorized modification. This warranty is offered by the seller for its buyer with direct transaction only. This warranty does not apply to products that have been abused, incorrectly installed, modified, disassembled and/or repaired by anyone other than Elura or our appointed repair facility.

A unit that fails under conditions other than those covered will be repaired at the current price of parts and labor in effect at the time of repair. Such repairs are warranted for 90 days from the day of reshipment to the buyer. If the unit is delivered by mail, customers agree to insure the unit or assume the risk of loss or damage in transit. Under no circumstances will a unit be accepted without a return authorization number. The warranty is in lieu of all other warranties expressed or implied, including without limitations, any other implied warranty, all of which are expressly disclaimed. Proof of sale may be required in order to claim warranty. The content of this manual has been carefully checked and is believed to be accurate. However, the seller assumes no responsibility for any inaccuracies that may be contained in this manual. Also, the technical information contained herein regarding the G6.5Z-ECO-70 features and specifications are subject to change without further notice.

www.elura.com

MSTR