





HEKMAN[®]



A HOWARD MILLER COMPANY

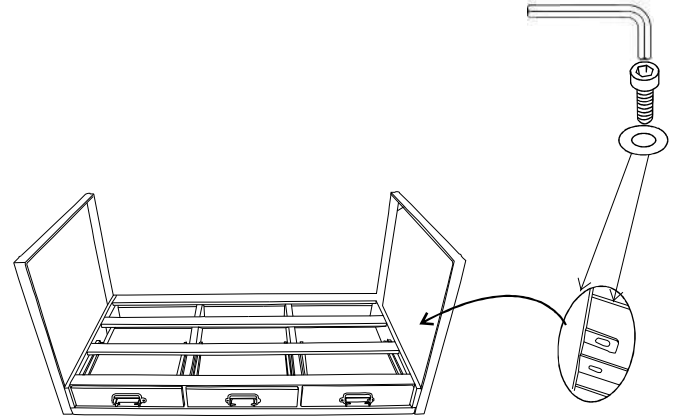
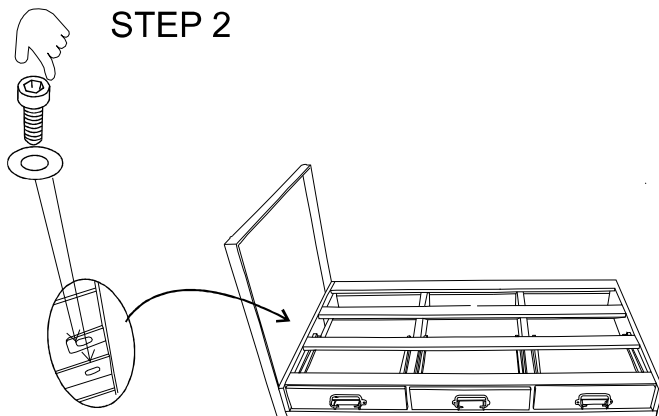
ASSEMBLY INSTRUCTION FOR 28053 INDUSTRIAL DESK

HARDWARE LIST

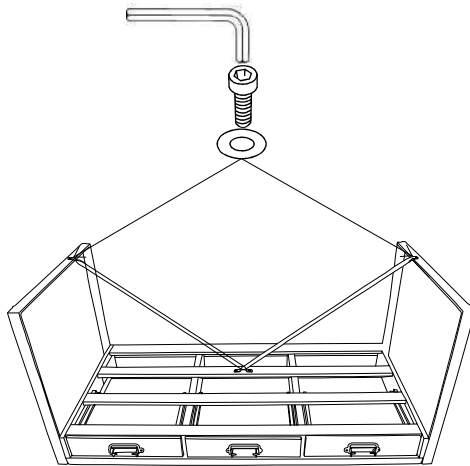
NO.	ITEM	DESCRIPTION	QTY.
1		Bolt	12
2		Big Washer	12

NO.	ITEM	DESCRIPTION	QTY.
3		Screw	2
4		Small Washer	2

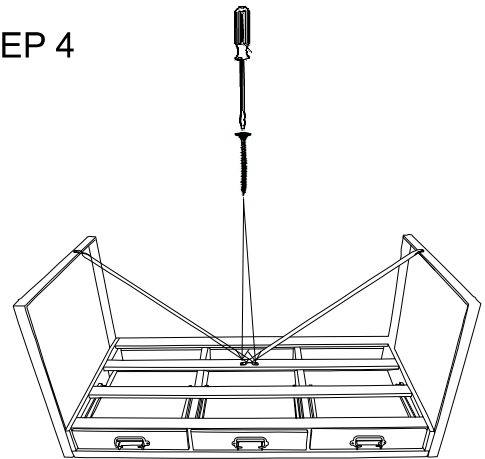
NO.	ITEM	DESCRIPTION	QTY.
5		Allen Wrench	1
6	 NOT INCLUDED		



STEP 3



STEP 4



TO ASSEMBLY:

- STEP 1 : Unpack the Desk and turn the top assembly upside down
 STEP 2 : Attach Leg Assemblies to bottom of Top panel with Bolt (1), Washer (2) and Alen Key (5).
 STEP 3 : Attach the Iron Angle at the Middle of Desk with Bolt (1), Washer(2) and Alen Key (5).
 STEP 4 : Tight the Iron Angle at the Middle with Screw (3), Small Washer(4) and Screw Driver (6)
 STEP 5 : Carefully turn the Industrial Desk upright

