



## Standard Sensor Faucet

SF-2350-BAT-BDT-CP-0.5GPM-MLM-FCT

### Product description

Battery Power Supply, Below Deck Thermostatic Mixing Valve, Polished Chrome Finish, 0.5 gpm, Multi-Laminar Spray, Infrared Sensor, Standard Battery-Powered Deck-Mounted Mid Integrated Base Body Faucet.

### Compliances & Certifications



(ADA Compliant, ASME A112.18.1 Compliant, ASSE 1070, CEC Compliant, GPC 0.25 or less, IAPMO, NSF-61/CAN-61, NYC604.4, Proposition 65, TAS, UPC Low Lead Certified, WELL Building Standard)

### Code 3362154

#### Finish

- Polished Chrome (CP)

#### Downloads

- [SF Series Installation Instructions.pdf](#)
- [SF Series \(FR\) Installation Instructions.pdf](#)
- [SF Series \(SP\) Installation Instructions.pdf](#)
- [Trim Plate Guide.pdf](#)
- [Faucet Spray Heads Maintenance Guide.pdf](#)
- [SF-2300, SF-2350 Repair and Maintenance Guide.pdf](#)
- [Additional Downloads](#)

#### Videos

- [Sloan – Company Overview](#)
- [SF-2100/2150/SF-2200/2250/SF-2300/2350/SF-2400/2450 Parts Breakdown](#)
- [SF-2100/2150/SF-2200/2250/SF-2300/2350/SF-2400/2450 Module Replacement](#)

---

## Details

- Flow Rate: 0.5 gpm (1.9 Lpm) (0.5GPM)
- Spray Type: Multi-Laminar (MLM)
- Sensor Type: Infrared
- Mounting Type: 4" Centerset
- Power Supply: Battery (BAT)
- Temperature Mixer: Below Deck Thermostatic Mixing Valve (BDT)
- Finish: Polished Chrome (CP)
- Factory Default Timeout: 30s
- Factory Default GPC: 0.25 gpc

---

## Features

Commercial Grade, ADA Compliant, Electronic, Sensor-Activated, Brass 4 Centerset Hand Washing Faucet with the following features:

- Splash-proof Circuit Control Module
- Adjustable Infrared Sensor Range
- 36" (914 mm) Long Sensor Cable
- 24" (610 mm) Long Flex Hose
- Filtered Solenoid Valve with serviceable Strainer Filter
- Includes Four (4) AA-size Batteries
- Includes appropriate Mounting Hardware
- 1 Year limited warranty
- Chrome Plated Finish
- 0.5GPM Flow Rate with multi-laminar flow
- Battery powered with 4AA batteries included
- Below deck thermostatic mixing valve included for temperature setting and adjustment

---

## Electrical specifications

- Battery Life: 2 years 8,000 cycles/month
- Timeout Adjustment Setting: 30 Seconds

---

## Warranty

[View Warranty Information](#)

---

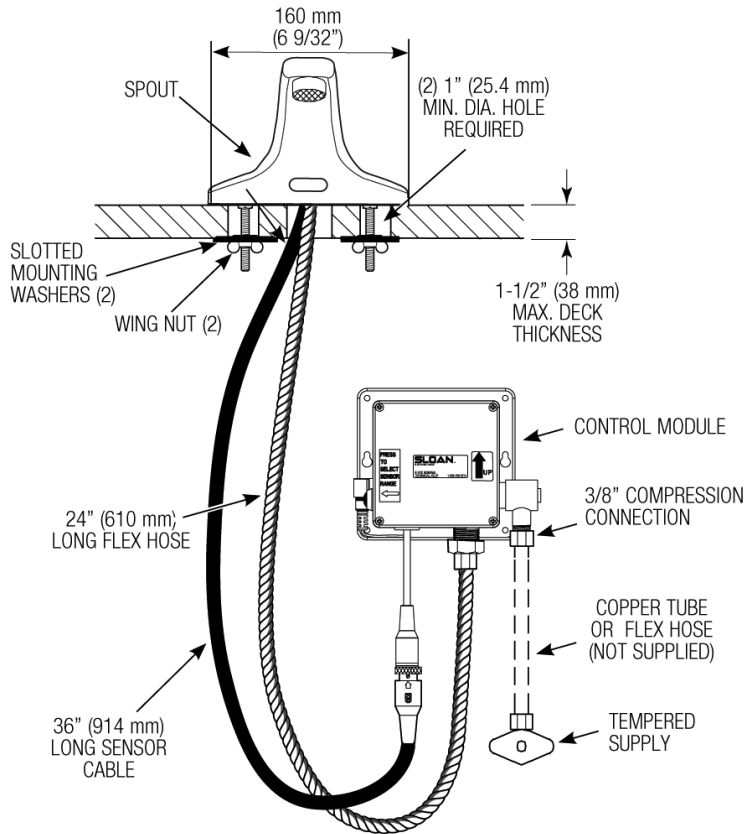
## Notes

All information contained within this document subject to change without notice.

Looking for other variations of the SF-2350 product? [View the general spec sheet with all options.](#)

[Find a matching soap dispenser](#) for this faucet.

[Find a compatible sink](#) for this faucet



**HOT AND COLD WATER SUPPLY APPLICATIONS**  
(SPECIFY IN MODEL VARIATION)

